

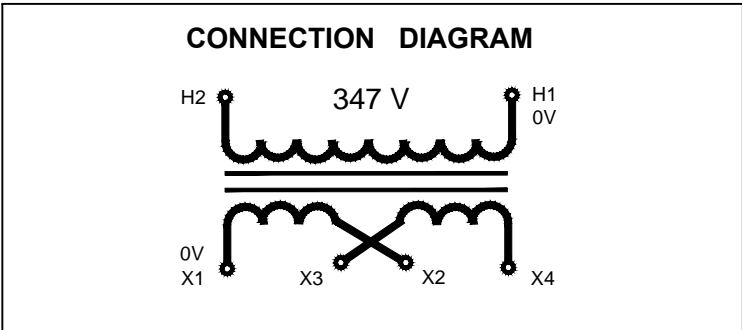


MARCUS

Marcus Transformer LTD
 Phone: 1-800-267-7376
 Fax: 1-866-205-7526
 Email: Info@marcustransformer.com

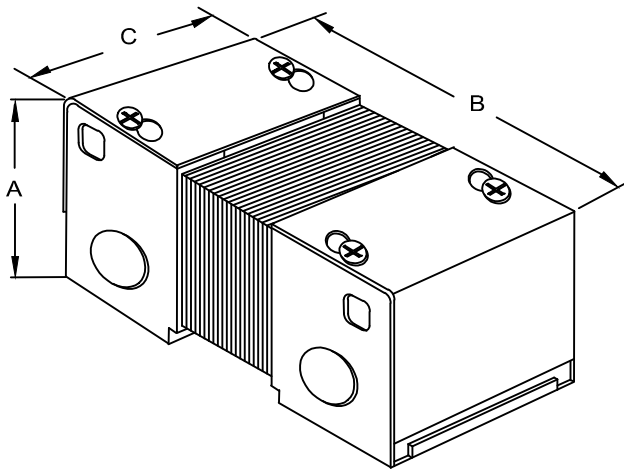
TECHNICAL DATA SINGLE PHASE CONTROL TRANSFORMER

| DESCRIPTION | |
|---------------------|------------------------------|
| MODEL | MC350I |
| Type | Enclosed, Indoor application |
| VA | 350 |
| Primary (Volts) | 347 |
| Secondary (Volts) | 120 / 240 |
| Input / Output Amps | 1.01 / 2.92 , 1.46 |
| Temperature Rise | 95°C |
| Insulation Class | B (130°C) |
| Frequency | 60Hz |
| Polarity | additive |
| Noise level | less than 40DB |
| Winding | Copper |
| Approvals | UL listed CSA approved |

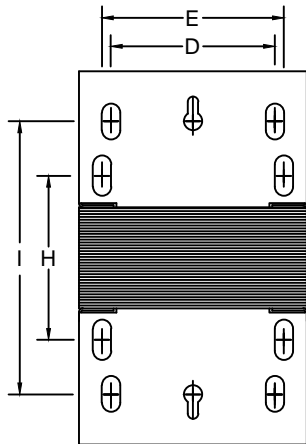
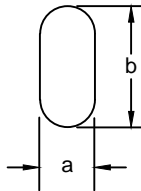


WIRING CONNECTION

| PRIMARY : | | |
|--------------|----------------------------------|-----------------------------|
| VOLTS 347 | CONNECT LINES TO : H1-H2 | |
| SECONDARY : | | |
| VOLTS 120 | INTERCONNECT: X1-X3 AND X2-X4 | CONNECT LINES TO : X1-X4 |
| 240 | X2-X3 | X1-X4 |
| 120/240 | X2-X3 | X1-X3-X4 |



| LETTER | MOUNTING SLOTS INCHES / MM |
|--------|-------------------------------|
| | a b |
| U | 0.25 x 0.875 6.4 x 22.2 |
| T | 0.25 x 0.625 6.4 x 15.9 |



DIMENSIONS INCHES / MM

| VA | A | B | C | D | E | F | G | H | I | J | K | L | M | SHIP WEIGHT LBS / KG |
|-----|---------------|---------------|---------------|--------------|--------------|---|---|-----------------|------------------|---|---|---|---|-------------------------|
| 350 | 4.07 103.4 | 7.13 181.1 | 4.50 114.3 | 2.75 69.9 | 3.75 95.3 | | | 3.75(T) 95.3 | 5.38(U) 136.7 | | | | | 12.0 5.5 |