



MARCUS

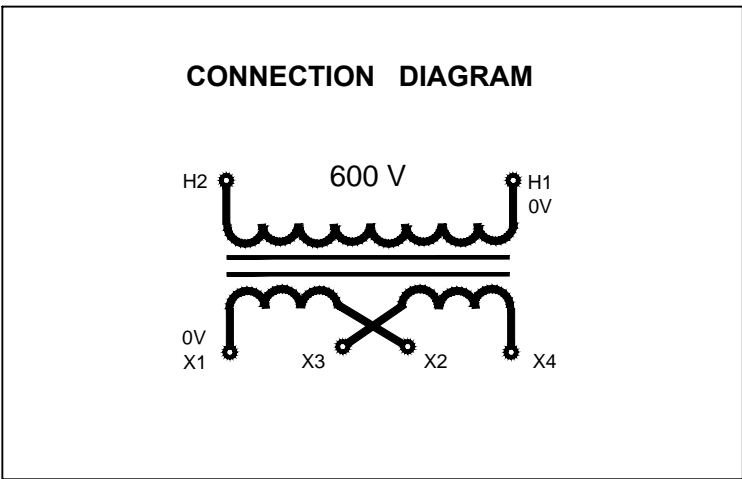
Marcus Transformer LTD
 Phone: 1-800-267-7376
 Fax: 1-866-205-7526
 Email: Info@marcustransformer.com

TECHNICAL DATA

SINGLE PHASE CONTROL TRANSFORMER

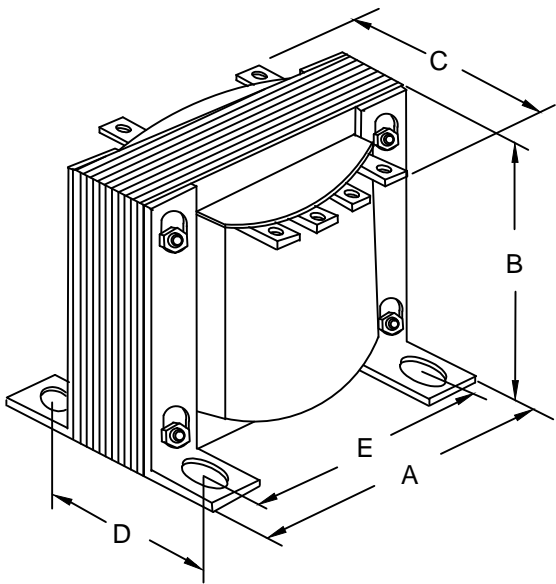
DESCRIPTION

MODEL	MO150I
Type	Open
VA	150
Primary (Volts)	600
Secondary (Volts)	12 / 24
Input /Output Amps	0.25 / 12.5 , 6.25
Temperature Rise	80°C
Insulation Class	B (130°C)
Frequency	60Hz
Polarity	additive
Noise level	less than 40DB
Winding	Copper
Approvals	CE compliant UL listed CSA approved



WIRING CONNECTION

PRIMARY :		
VOLTS 600	CONNECT LINES TO : H1-H2	
SECONDARY :		
VOLTS 12 24 12/24	INTERCONNECT: X1-X3 AND X2-X4 X2-X3 X2-X3	CONNECT LINES TO : X1-X4 X1-X4 X1-X3-X4



DIMENSIONS INCHES / MM

VA	A	B	C	D	E	MOUNTING HOLES INCHES / MM	SHIP WEIGHT LBS / KG
150	3.75 95.3	3.13 79.5	4.02 102.1	3.00 76.2	3.13 79.5	0.21 x 0.625 5.3 x 15.9	5.75 2.6

Notes: