



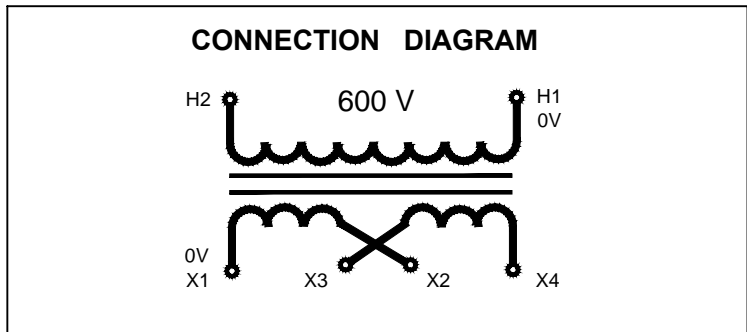
MARCUS

Marcus Transformer LTD
 Phone: 1-800-267-7376
 Fax: 1-866-205-7526
 Email: Info@marcustransformer.com

TECHNICAL DATA

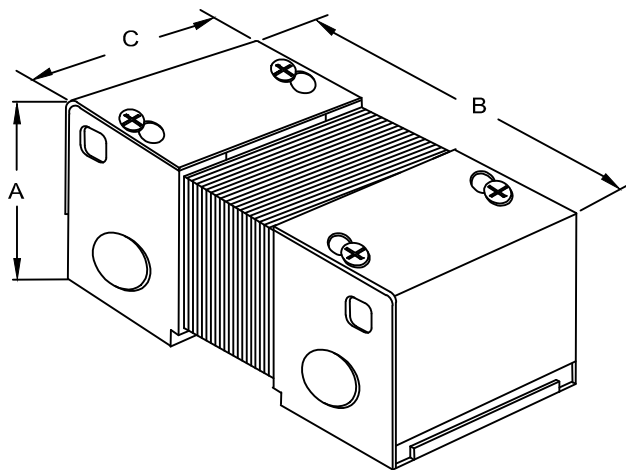
SINGLE PHASE CONTROL TRANSFORMER

DESCRIPTION	
MODEL	MC350T
Type	Enclosed, Indoor application
VA	350
Primary (Volts)	600
Secondary (Volts)	120 / 240
Input /Output Amps	0.58 / 2.92 , 1.46
Temperature Rise	95°C
Insulation Class	B (130°C)
Frequency	60Hz
Polarity	additive
Noise level	less than 40DB
Winding	Copper
Approvals	UL listed CSA approved

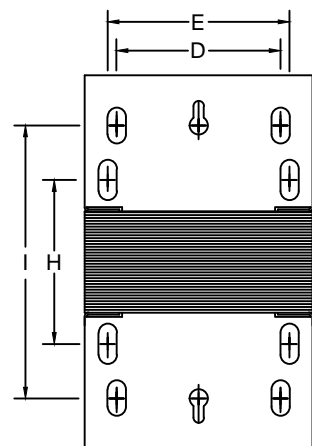
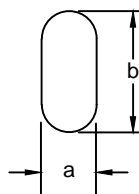


WIRING CONNECTION

PRIMARY :		
VOLTS 600	CONNECT LINES TO : H1-H4	
SECONDARY :		
VOLTS 120	INTERCONNECT: X1-X3 AND X2-X4	CONNECT LINES TO : X1-X4
240	X2-X3	X1-X4
120/240	X2-X3	X1-X3-X4



LETTER	MOUNTING SLOTS INCHES / MM
	a b
U	0.25 x 0.875 6.4 x 22.2
T	0.25 x 0.625 6.4 x 15.9



DIMENSIONS INCHES / MM

VA	A	B	C	D	E	F	G	H	I	J	K	L	M	SHIP WEIGHT LBS / KG
350	4.07 103.4	7.13 181.1	4.50 114.3	2.75 69.9	3.75 95.3			3.75(T) 95.3	5.38(U) 136.7					12.0 5.5