



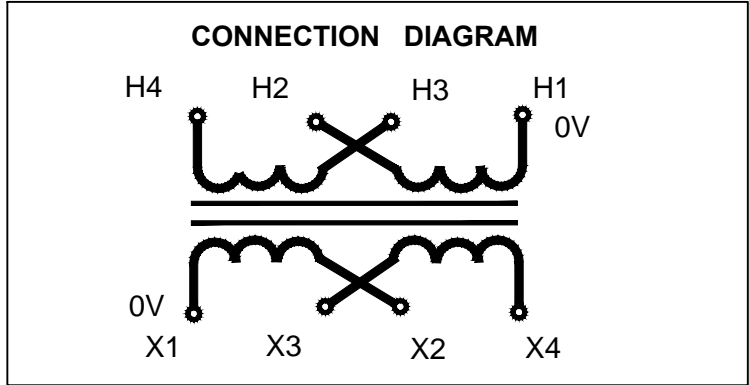
# MARCUS

Marcus Transformer LTD  
 Phone: 1-800-267-7376  
 Fax: 1-866-205-7526  
 Email: Info@marcustransformer.com

## TECHNICAL DATA

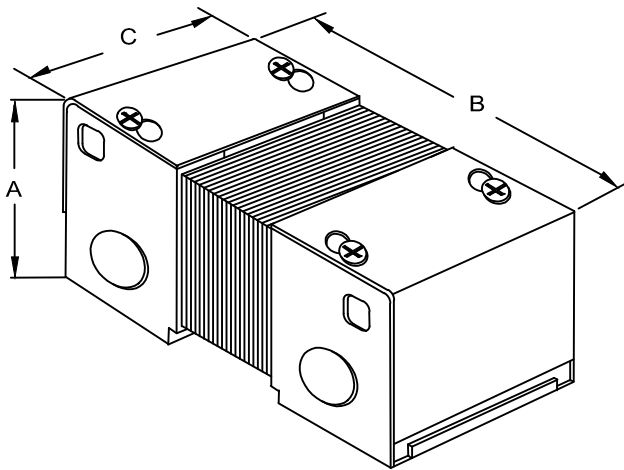
SINGLE PHASE CONTROL TRANSFORMER

| DESCRIPTION         |                              |
|---------------------|------------------------------|
| MODEL               | MC50V                        |
| Type                | Enclosed, Indoor application |
| VA                  | 50                           |
| Primary (Volts)     | 120 / 240                    |
| Secondary (Volts)   | 12 / 24                      |
| Input / Output Amps | 0.42 , 0.21 / 4.17 , 2.08    |
| Temperature Rise    | 95°C                         |
| Insulation Class    | B (130°C)                    |
| Frequency           | 50 / 60Hz                    |
| Polarity            | additive                     |
| Noise level         | less than 40DB               |
| Winding             | Copper                       |
| Approvals           | UL listed<br>CSA approved    |

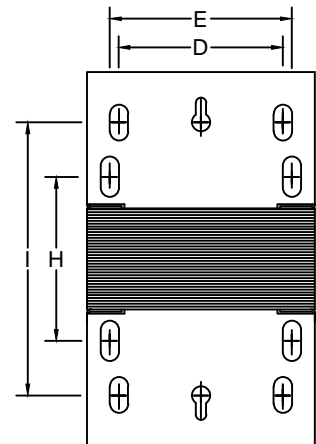
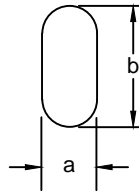


## WIRING CONNECTION

| PRIMARY :   |                 |                    |
|-------------|-----------------|--------------------|
| VOLTS       | INTERCONNECT:   | CONNECT LINES TO : |
| 120         | H1-H3 AND H2-H4 | H1-H4              |
| 240         | H2-H3           | H1-H4              |
| SECONDARY : |                 |                    |
| VOLTS       | INTERCONNECT:   | CONNECT LINES TO : |
| 12          | X1-X3 AND X2-X4 | X1-X4              |
| 24          | X2-X3           | X1-X4              |



| LETTER | MOUNTING SLOTS<br>INCHES / MM |
|--------|-------------------------------|
|        | a b                           |
| S      | 0.25 x 0.500<br>6.4 x 12.7    |
| T      | 0.25 x 0.625<br>6.4 x 15.9    |



## DIMENSIONS INCHES / MM

| VA | A            | B             | C            | D            | E            | F | G | H               | I               | J | K | L | M | SHIP WEIGHT<br>LBS / KG |
|----|--------------|---------------|--------------|--------------|--------------|---|---|-----------------|-----------------|---|---|---|---|-------------------------|
| 50 | 2.82<br>71.6 | 5.13<br>130.3 | 3.13<br>79.5 | 2.25<br>57.2 | 2.50<br>63.5 |   |   | 2.25(T)<br>57.2 | 3.75(S)<br>95.3 |   |   |   |   | 3.25<br>1.5             |