



# MARCUS

Marcus Transformer LTD  
 Phone: 1-800-267-7376  
 Fax: 1-866-205-7526  
 Email: Info@marcustransformer.com

## TECHNICAL DATA MODEL:MT 45A1

3-PHASE ISOLATING

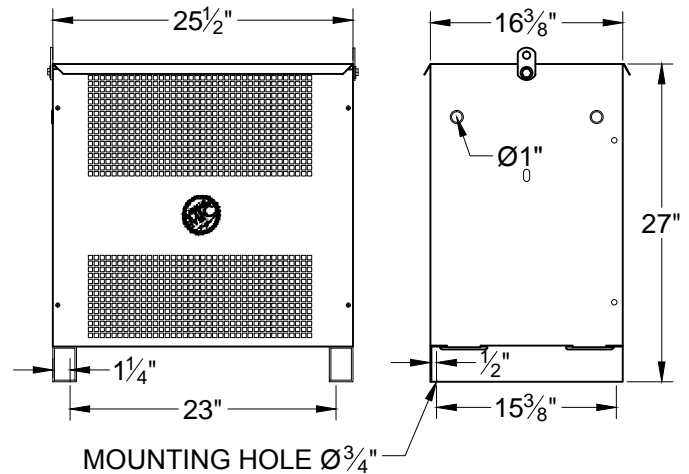
DESCRIPTION	
Type	DRY TYPE DISTRIBUTION (ANN)
KVA	45
Primary (Volts)	600
Secondary (Volts)	208Y / 120
Phase	3
Enclosure	NEMA 1
Impedance (%z)	4.8
Insulation Class	220°C
Temperature Rise	150°C
Frequency	60Hz
Weight (LBS/KG)	370 / 169
Connection	Dyn1(TT-1)
BIL.	10KV

PERFORMANCE	
No load loss	137W
Total loss	2000W
Noise level	45dB

EFFICIENCY	
	Efficiency = 97.98%
	(As per CSA C802.2 & NEMA TP-1)

Primary connectors per phase : #14-#4
Secondary connectors per phase: #6-250MCM

## PHYSICAL DIMENSIONS



FRONT VIEW

SIDE VIEW

**MOUNTING: WALL / FLOOR**

### FEATURES:

- Anti-vibration pads installed between the core/coil and the enclosure
- Ground lug provided
- Leads brought-up and solidly positioned into separate terminal boards
- CSA enclosure: ventilated painted ASA 61gray
- Transformer meets the efficiency values as per CSA C802.2 / NEMA TP-1
- Copper ground strap between core/coil and enclosure
- CSA certified / UL listed
- Copper windings

Customer / PO	
Project	
Engineer	
Contractor	
Revision Date	

COMMENTS



# MARCUS

Marcus Transformer LTD  
 Phone: 1-800-267-7376  
 Fax: 1-866-205-7526  
 Email: Info@marcustransformer.com

## TECHNICAL DATA MODEL:MT 45B1

3-PHASE ISOLATING

DESCRIPTION	
Type	DRY TYPE DISTRIBUTION (ANN)
KVA	45
Primary (Volts)	480
Secondary (Volts)	208Y / 120
Phase	3
Enclosure	NEMA 1
Impedance (%z)	4.8
Insulation Class	220°C
Temperature Rise	150°C
Frequency	60Hz
Weight (LBS/KG)	370 / 169
Connection	Dyn1(TT-1)
BIL.	10KV

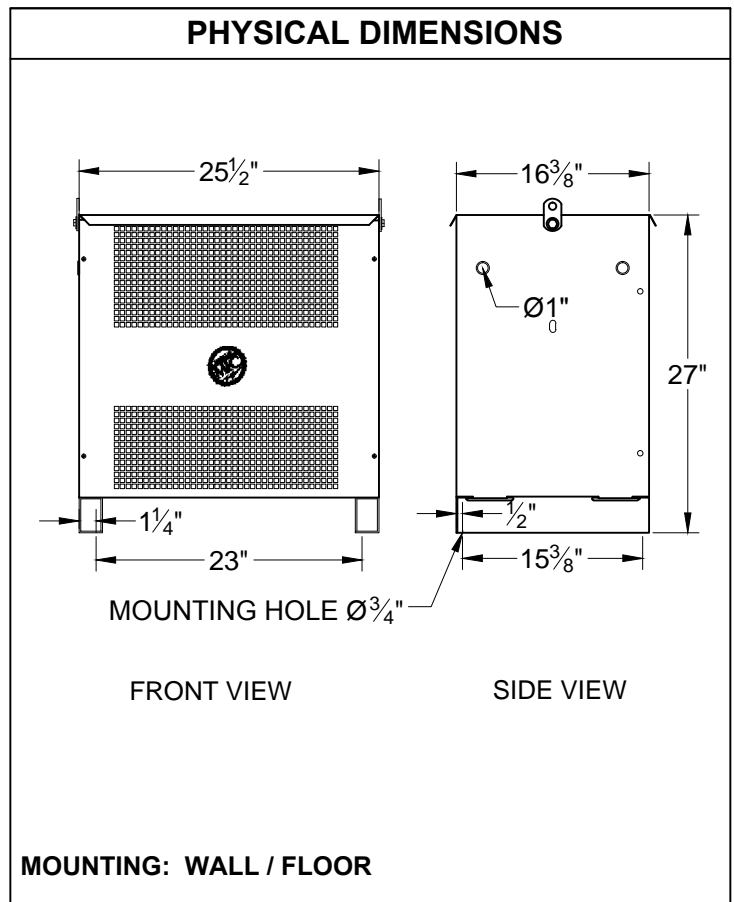
PERFORMANCE	
No load loss	137W
Total loss	2000W
Noise level	45dB

EFFICIENCY	
	Efficiency = 97.98%
	(As per CSA C802.2 & NEMA TP-1)

Primary connectors per phase : #14-#4
Secondary connectors per phase: #6-250MCM

### FEATURES:

- Anti-vibration pads installed between the core/coil and the enclosure
- Ground lug provided
- Leads brought-up and solidly positioned into separate terminal boards
- CSA enclosure: ventilated painted ASA 61gray
- Transformer meets the efficiency values as per CSA C802.2 / NEMA TP-1
- Copper ground strap between core/coil and enclosure
- CSA certified / UL listed
- Copper windings



Customer / PO	
Project	
Engineer	
Contractor	
Revision Date	

COMMENTS