

SLM6-3020DTW

SLIMLED™

6" Round Dim-To-Warm LED Slim Profile Recess Retrofit, 12.1W, Airtight Recess Lighting

Job Information		
Project Name		Type
Location		
Quantity		Date
Contact/Phone		
Notes		

Features

Body

Durable airtight aluminum body with etched white polycarbonate diffuser lens for low glare.

LED Characteristics

This general application light fixture features a 12.1 watt LED module that maintains uniform intensity producing up to 800 lumens; with a typical CRI of 80+. Available in 3000°K colour temperature.

Dimming

Colour temperature dimming from 3000°K to 2000°K. This fixture is compatible with industry standard TRIAC/ELV dimmers (contact factory for listing of compatible dimmers).

Beam Spread

The fixture lens provides 110° beam spread.

Mounting

Includes two spring loaded clips to attached to any ceiling material. The slim profile allows to be mounted under joists or duct work.

LED Driver

Extruded aluminum hardware box with 300mA dimmable class II electronic LED driver with 100-135V AC input. Includes an 18" cable from driver to fixture.

Quick Connect push-in terminals

Three "Quick connect" push-in terminals for fast and easy wiring.

Operating Temperature

-20°C~40°C (-4°F~104°F)

Environment

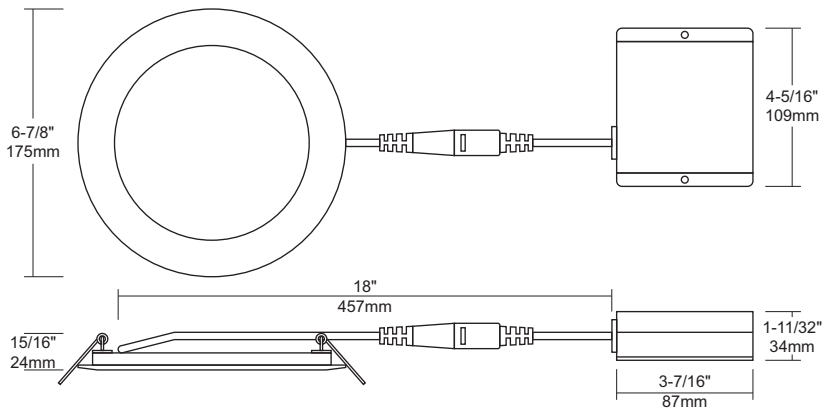
- Suitable for damp locations.
- Suitable for insulated ceiling applications.

SPECIFICATION	
Application	Ceiling Recess Mount
Approved Location	Damp
Beam Angle	110°
CCT	3000°K ~ 2000°K
Certification	cETLus
Class II	Yes
Colour	BK / BN / WH
CRI	80+
Dimming	Yes
Dimming Tech	TRIAC/ELV
Hole Cut	Ø 6-3/16" (157mm)
Input	100-135V AC, 60Hz, 0.11A
Lumens	Up to 800
Lumens per Watt	Up to 66
Power Factor	>0.9
Projected Life	70% @ 50,000 hrs
Warranty	Lifetime
Wattage	12W



Description

The SLM6-3020DTW is a 12.1 watt 6" dim-to-warm slim profile light fixture for recess retrofit application. It is a high-performance, easy to install residential grade downlight solution that offers good light output, energy-efficiency and streamlined design. Suitable for damp locations. For use in soffits.



Notes: Accessories are sold separately. For additional options please consult your Liteline representative.
 Due to our continued efforts to improve our products, product specifications are subject to change without notice.

Ordering Guide

SLM6-3020DTW -

Trim Finish

BK : Black
BN : Brushed Nickel
WH : White

Accessories



SLM-60-FC
60" Flexible connector, for use with SlimLED fixtures.



P-6020
6-1/4" Round pre-mounting plate with driver attachment clip, for 6" SlimLED round fixtures.



P-NCMK-1
New construction mounting kit. Includes hanger bars, brackets and screws.



VBE-1
Vapour barrier extender. For use in new construction applications.



VBE-3
Vapour barrier extender. For use in remodel applications.



VBE-4
Vapour barrier extender. For use in remodel applications.



SLM6-XLRING-WH
Extra large trim ring for 6" round SlimLED fixtures, plastic, white.

Compatible Dimmers

Brand	Model	Maximum Number of Fixtures per Dimmer
Lutron	DVELV-300P	24
	SELV-300P	24
	NTELV-300	24
	NTELV-600	48
	MAELV-600	48
	MRF2-6ND-120	12
	DV600	8
	D-600P	8
Leviton	VPE04	12
	6615	22
	VPE06	45
	VRE06	45
	6672	4
	6674	7
	IPE04	10
Cooper	SAL06P-W-K	10
Pass & Seymour	HCL453PTC	30
	HCL453PW	30
	H703-PTU set to f	7
	H703-PTU set to R	50