

SLM4

SLIMLED™

4" Round LED Slim Profile Recess Retrofit, 9W,
Airtight
Recess Lighting

Job Information		
Project Name		Type
Location		
Quantity		Date
Contact/Phone		
Notes		

Features

Body

Durable airtight aluminum body with etched white polycarbonate diffuser lens for low glare.

LED Characteristics

This general application light fixture features a 9 watt LED module that maintains uniform intensity producing up to 540 lumens; with a typical CRI of 82. Available in 2700°K, 3000°K or 4000°K colour temperature.

Dimming

100%-10% dimming capability. This fixture is compatible with industry standard TRIAC/ELV dimmers (contact factory for listing of compatible dimmers).

Beam Spread

The fixture lens provides 120° beam spread.

Mounting

Includes two spring loaded clips to attached to any ceiling material. The slim profile allows to be mounted under joists or duct work.

LED Driver

Extruded aluminum hardwire box with 210mA dimmable class II electronic LED driver with 100-135V AC input. Includes an 18" cable from driver to fixture.

Quick Connect push-in terminals

Three "Quick connect" push-in terminals for fast and easy wiring.

Operating Temperature

-20°C~40°C (-4°F~104°F)

Environment

- Suitable for damp locations.
- Suitable for insulated ceiling applications.

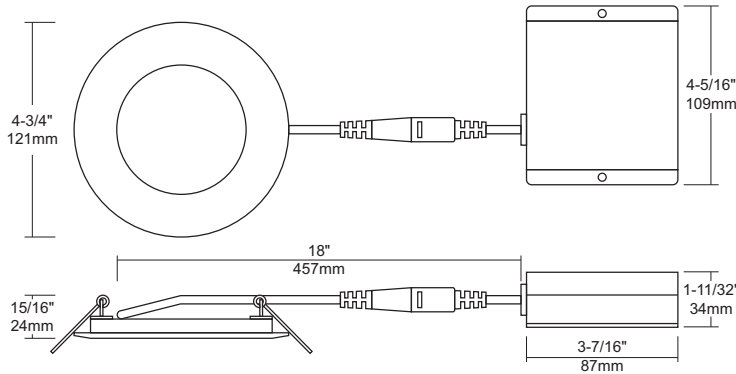
SPECIFICATION

Application	Ceiling Recess Mount
Approved Location	Damp
Beam Angle	120°
CCT	2700°K / 3000°K / 4000°K
Certification	cETLus
Class II	Yes
Colour	BK / BN / WH
CRI	82
Dimming	Yes
Dimming Tech	TRIAC/ELV
Energy Star	Yes
Input	100-135V AC, 60Hz, 0.09A
LM79	Yes
LM80	Yes
Lumens	490 / 540
Lumens per Watt	Min: 54.4 Max: 60
Power Factor	>0.95
Projected Life	70% @ 50,000 hrs
Warranty	Lifetime
Wattage	9W



Description

The SLM4 is a 9 watt 4" slim profile light fixture for recess retrofit application. It is a high-performance, easy to install residential grade downlight solution that offers good light output, energy-efficiency and streamlined design. Suitable for damp locations. For use in soffits.



Notes: Accessories are sold separately. For additional options please consult your Liteline representative. Due to our continued efforts to improve our products, product specifications are subject to change without notice.

Ordering Guide

SLM4	Colour Temperature	Trim Finish
	27 : 2700°K 30 : 3000°K 40 : 4000°K	BK : Black BN : Brushed Nickel WH : White

Accessories



SLM-60-FC

60" Flexible connector, for use with SlimLED fixtures.



P-4020

4-1/4" Round pre-mounting plate for SlimLED round fixtures.

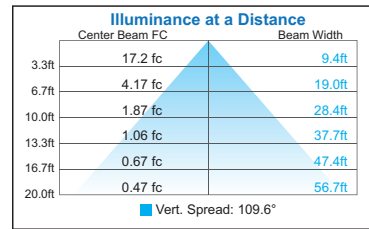
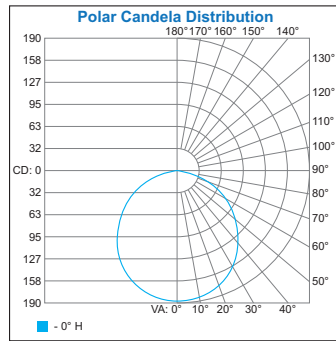


Photometry

SLM4-30: 4" SlimLED, 3000°K.

Zonal Lumen Summary

Zone	Lumens	% Luminaire
0-30	145.4	28.2%
0-40	236.8	45.8%
0-60	412.9	79.9%
60-90	103.7	20.1%
70-100	42.3	8.2%
90-120	0	0%
0-90	516.6	100%
90-180	0	0%
0-180	516.6	100%



Compatible Dimmers

Brand	Model	Maximum Number of Fixtures per Dimmer
Lutron	DVELV-300P	25
	SELV-300P	25
	NTELV-300	25
	NTELV-600	50
	MAELV-600	50
	MRF2-6ND-120	14
	DV600	10
	D-600P	10
Leviton	VPE04	13
	6615	22
	VPE06	52
	VRE06	52
	6672	4
	6674	4
	IPE04	11
Cooper	SAL06P-W-K	12
Pass & Seymour	HCL453PTC	32
	HCL453PW	32
	H703-PTU set to f	8
	H703-PTU set to R	62