

# SLM6

SLIMLED™

6" Round LED Slim Profile Recess Retrofit, 12W,  
Airtight  
Recess Lighting

Job Information		
Project Name		Type
Location		
Quantity		Date
Contact/Phone		
Notes		

## Features

### Body

Durable airtight aluminum body with etched white polycarbonate diffuser lens for low glare.

### LED Characteristics

This general application light fixture features a 12.1 watt LED module that maintains uniform intensity producing up to 670 lumens; with a typical CRI of 82. Available in 3000°K or 4000°K colour temperature.

### Dimming

100%-10% dimming capability. This fixture is compatible with industry standard TRIAC/ELV dimmers (contact factory for listing of compatible dimmers).

### Beam Spread

The fixture lens provides 120° beam spread.

### Mounting

Includes two spring loaded clips to attached to any ceiling material. The slim profile allows to be mounted under joists or duct work.

### LED Driver

Extruded aluminum hardwire box with 300mA dimmable class II electronic LED driver with 100-135V AC input. Includes an 18" cable from driver to fixture.

### Quick Connect push-in terminals

Three "Quick connect" push-in terminals for fast and easy wiring.

### Operating Temperature

-20°C~40°C (-4°F~104°F)

### Environment

- Suitable for damp locations.
- Suitable for insulated ceiling applications.

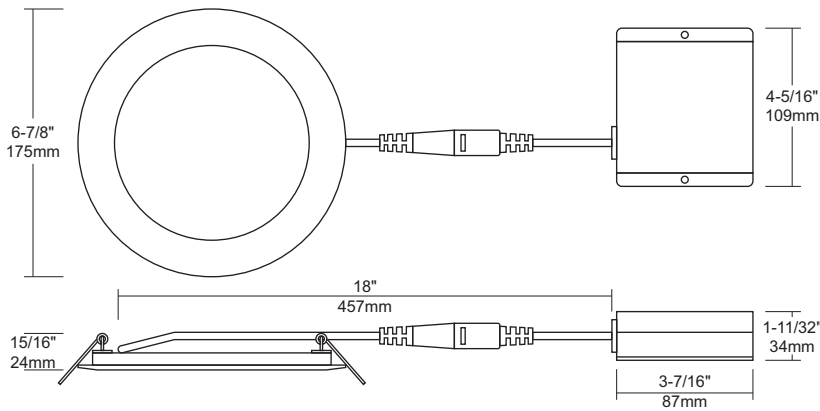
### SPECIFICATION

Application	Ceiling Recess Mount
Approved Location	Damp
Beam Angle	120°
CCT	3000°K / 4000°K
Certification	cETLus
Class II	Yes
Colour	BK / BN / WH
CRI	82
Dimming	Yes
Dimming Tech	TRIAC/ELV
Energy Star	Yes
Input	100-135V AC, 60Hz, 0.11A
LM79	Yes
LM80	Yes
Lumens	670
Lumens per Watt	55.2
Power Factor	>0.9
Projected Life	70% @ 50,000 hrs
Warranty	Lifetime
Wattage	12.1W



## Description

The SLM6 is a 12 watt 6" slim profile light fixture for recess retrofit application. It is a high-performance, easy to install residential grade downlight solution that offers good light output, energy-efficiency and streamlined design. Suitable for damp locations. For use in soffits.



**Notes:** Accessories are sold separately. For additional options please consult your Liteline representative. Due to our continued efforts to improve our products, product specifications are subject to change without notice.

## Ordering Guide

SLM6 -	Colour Temperature	Trim Finish
	30 : 3000°K 40 : 4000°K	BK : Black BN : Brushed Nickel WH : White

## Accessories



### SLM-60-FC

60" Flexible connector, for use with SlimLED fixtures.



### P-6020

6-1/4" Round pre-mounting plate for SlimLED round fixtures.

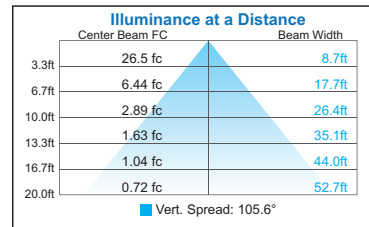
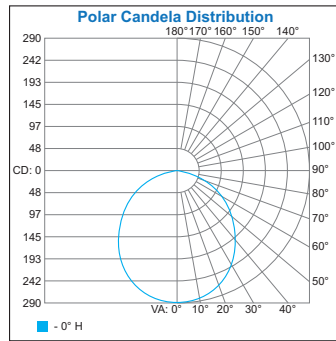


## Photometry

SLM6-30 : 4" SlimLED, 3000°K.

### Zonal Lumen Summary

Zone	Lumens	% Luminaire
0-30	222.0	29%
0-40	358.7	46.9%
0-60	616.6	80.6%
60-90	148.7	19.4%
70-100	60.3	7.9%
90-120	0	0%
0-90	765.3	100%
90-180	0	0%
0-180	765.3	100%



## Compatible Dimmers

Brand	Model	Maximum Number of Fixtures per Dimmer
Lutron	DVELV-300P	24
	SELV-300P	24
	NTELV-300	24
	NTELV-600	48
	MAELV-600	48
	MRF2-6ND-120	12
	DV600	8
	D-600P	8
	HxD-6ND	
	SZ-6ND	
	PHPM-PA with Grafik Eye QS Main Unit	
Leviton	VPE04	12
	6615	22
	VPE06	45
	VRE06	45
	6672	4
	6674	4
	IPE04	10
Cooper	SAL06P-W-K	10
Pass & Seymour	HCL453PTC	30
	HCL453PW	30
	H703-PTU set to f	7
	H703-PTU set to R	50