



AO1012

APOLLO Line Voltage Track Fixture Track Systems

Job Information		
Project Name		Type
Location		
Quantity		Date
Contact/Phone		
Notes		

Features

Body

Constructed of die cast aluminum which provides superior strength and rigidity. Softened edges adds up to the low profile aesthetic design.

Lamping

Porcelain socket for 120V MR16 GU10 lamps, 50 watts max. A high temperature glass shield is included, mounted to front of lamp fixture.

Adjustability

Lamp housing is controlled with an adjustable yoke that would provide custom aiming; 320° horizontal rotation and 160° vertical rotation.

Dimming

The track fixture is dimmable when used with electronic line voltage rated dimming controls only. 120V / 60Hz input; 120V output; 50W maximum load.

Compatibility

Liteline track fixtures are compatible with Juno®, Halo®, Lightolier® and most brands configured to Halo® track system design.

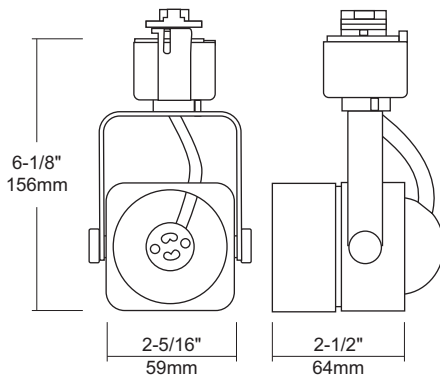
Labels

- cULus listed.

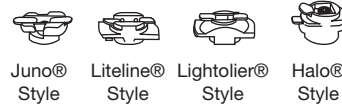


Description

APOLLO is a line voltage die cast aluminum designer fixture for MR16 GU10 120V lamps. It provides directional light source for specific aiming and assures a secure lock on the angle position.



Connector Compatibility Chart



Notes: Accessories should be ordered separately. For additional options please consult your Liteline representative. Juno is a registered trademark of Juno Lighting Group. Halo is a registered trademark of Cooper Lighting. Lightolier is a registered trademark of Philips. Due to our continued efforts to improve our products, product specifications are subject to change without notice.

Ordering Guide



AO1012-BK-120V-MR
APOLLO black track fixture, 120V.



AO1012-WH-120V-MR
APOLLO white track fixture, 120V.



AO1012-BN-120V-MR
APOLLO brushed nickel track fixture, 120V.



AO1012-BNBK-120V-MR
APOLLO brushed nickel track fixture with black connector, 120V.

