



OR1013

ORION Line Voltage Track Fixture
Track Systems

Job Information		
Project Name		Type
Location	Canadalite.com	
Quantity		Date
Contact/Phone	1(888)887-7038	
Notes		

Features

Body

Constructed of die cast aluminum which provides superior strength and rigidity. Softened edges adds up to the low profile aesthetic design.

Lamping

Porcelain socket for 120V MR16 GU10 lamps, 50 watts max. A high temperature glass shield is included, mounted to front of lamp fixture.

Adjustability

Lamp housing is controlled with an adjustable yoke that would provide custom aiming; 330° horizontal rotation and 90° vertical rotation.

Dimming

The track fixture is dimmable when used with electronic line voltage rated dimming controls only. 120V / 60Hz input; 120V output; 50W maximum load.

Compatibility

Liteline track fixtures are compatible with Juno®, Halo®, Lightolier® and most brands configured to Halo® track system design.

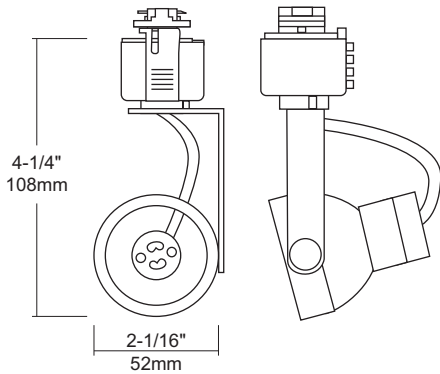
Labels

- cULus listed.



Description

The MILANO is a die cast aluminum construction fixture with slanted back and no visible socket wire. Floating lamp trim is attached to body via a dual spring.



Connector Compatibility Chart



Notes: Accessories should be ordered separately. For additional options please consult your Liteline representative. Juno is a registered trademark of Juno Lighting Group. Halo is a registered trademark of Cooper Lighting. Lightolier is a registered trademark of Philips. Due to our continued efforts to improve our products, product specifications are subject to change without notice.

Ordering Guide



OR1013-BK-120V-MR
ORION black track fixture, 120V.



OR1013-WH-120V-MR
ORION white track fixture, 120V.

