

## HV4-TH4018R

4" Tilting Gimbal Trim  
For PAR20 Lamps

Job Information		
Project Name		Type
Location		
Quantity		Date
Contact/Phone		
Notes		

### Features

#### Trim

Constructed of powder-coated steel with a super low profile. Includes 2 enhanced side pressure clips to accommodate halogen and LED PAR20 lamps, which self center when installed with the trim. Finished with various colours to meet any design requirement. Lamp is rear loaded.

#### Lamps

- 120V PAR20, 50W max.

#### Aiming Adjustment

The trim includes a tilting center (lamp holder) that adjusts up to 35° and maintains the set angle, providing a wide range of accent and task applications.

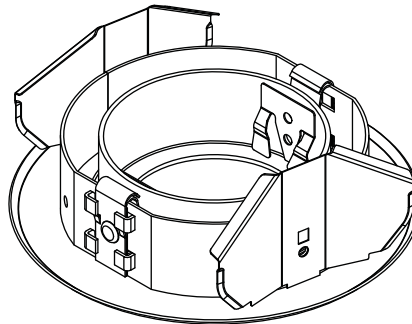
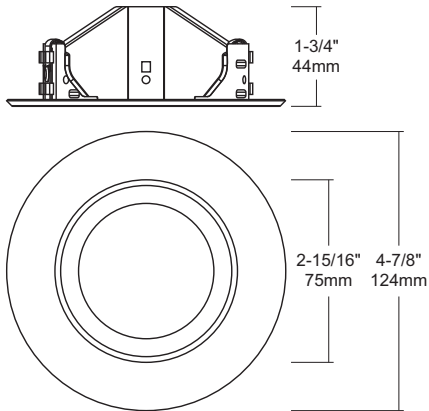
#### Mounting

Two stainless steel torsion clips provide enhanced rigidity within the housing.



### Description

The HV4-TH4018R is a powder-coated steel round gimbal trim. Simply designed to allow a clean look while still being functionally adjustable. The adjustable aiming capability (35° from vertical) provides versatility for a wide range of accent and task applications.



**Notes:** For additional options please consult your Liteline representative. Due to our continued efforts to improve our products, product specifications are subject to change without notice.

### Ordering Guide



**HV4-TH4018R-BN**  
4" Brushed Nickel tilting gimbal trim.



**HV4-TH4018R-FWH**  
4" Matte White tilting gimbal trim.



**HV4-TH4018R-STs**  
4" Stainless Steel tilting gimbal trim.



**HV4-TH4018R-TP**  
4" Taupe tilting gimbal trim.



**HV4-TH4018R-WH**  
4" White tilting gimbal trim.