



# 50W MR16 GU10 Halogen Lamp Line Voltage Halogen Lamps

PROJECT
FIXTURE TYPE
MODEL
LAMP
CONTACT/TELEPHONE

Product No. *LMP16GU10C-50-BX*

### Description

An MR16 line voltage multi-faceted reflector halogen lamp, with clear cover. For use in track fixtures.

### General Characteristics

Lamp Type	<i>Line Voltage Halogen</i>
Bulb Size	<i>MR16</i>
Base	<i>GU10</i>
Wattage	<i>50W</i>
Voltage	<i>120V AC</i>
Rated Life	<i>2,000 hours</i>
Reflector	<i>Dichroic</i>

### Operating Characteristics

Approx. Initial Lumens	<i>420</i>
Approx. Mean Lumens	<i>400</i>
Colour Temperature	<i>2750K</i>
Colour Rendering Index. (CRI)	<i>99</i>
Beam Spread	<i>36°</i>
Dimmable	<i>Dimmable</i>

### Dimensions

Maximum Overall Length (MOL)	<i>2.13" (54.00mm)</i>
Bulb Diameter (DIA)	<i>2.00" (50.80mm)</i>

### Applications:

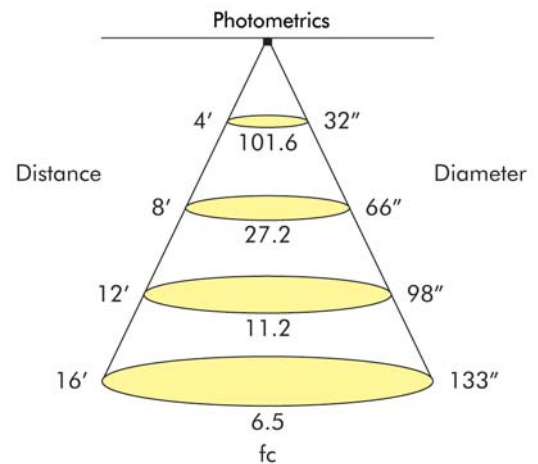
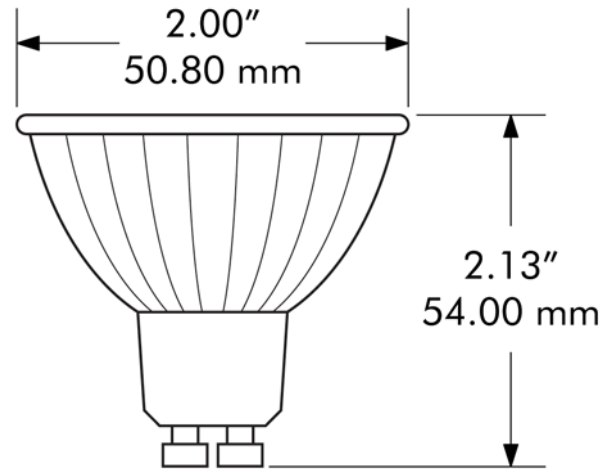
- Retail store display
- Focus lighting

### Caution

- Lamp may shatter and cause injury if broken
  - Do not use excessive force when installing lamp.
  - Use only on dry location.

### Warning

- Risk of Electric Shock
  - Turn power off before inspection, installation or removal.



## LITELINE CORPORATION

8 Abacus Road, Brampton, Ontario, Canada L6T 5B7  
 Tel: 416-996-1856 • Fax: 905-794-1990 / 1-888-738-9736  
 Email: sales@liteline.com • Website: liteline.com

Product specifications subject to change without notice.