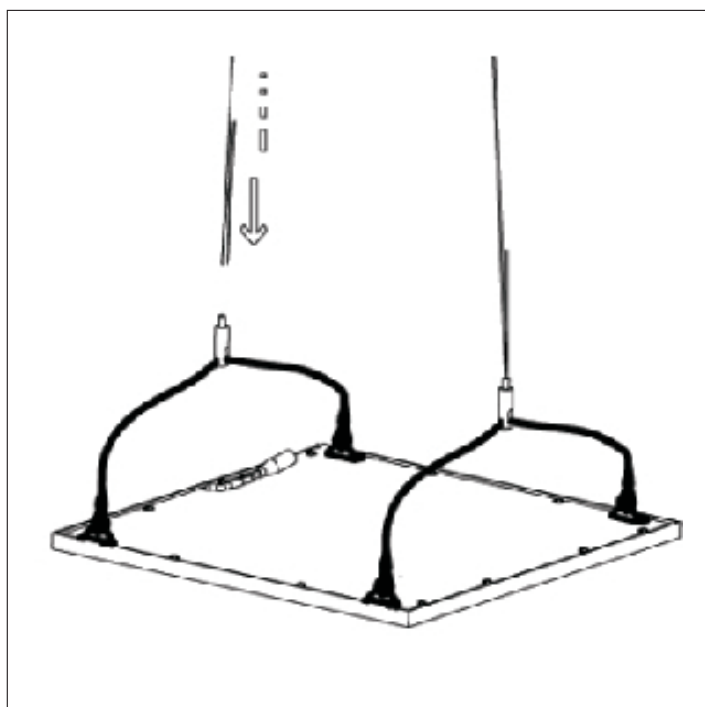
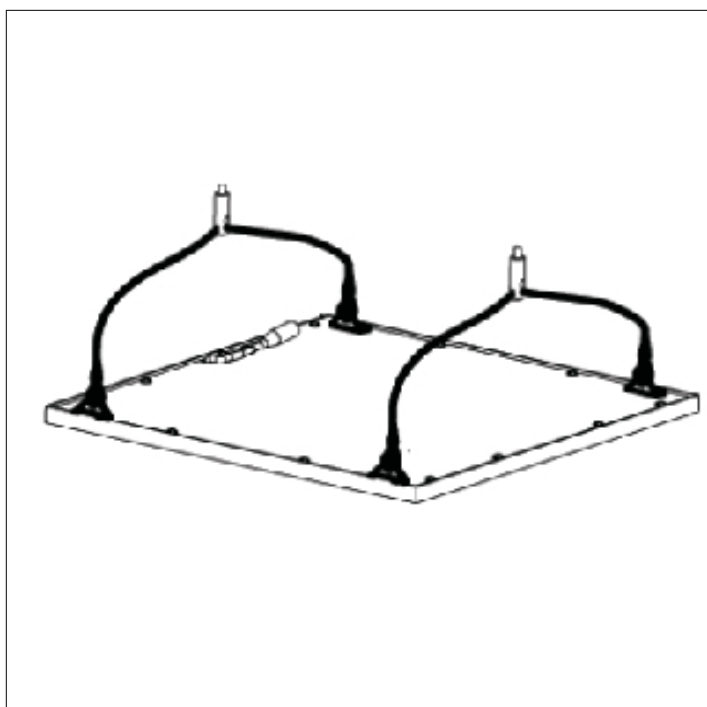


# Suspension



**1**

Fix the under suspend rope in the lamp.

**2**

Thread another side of the upper suspend rope into the hasp