

Application:

VXF and GRF cast outlet boxes are installed in threaded rigid conduit systems to:

- act as junction boxes
- act as pull outlets
- accept round base wiring devices and covers intended for use on 4" outlet boxes (GRF boxes only)
- act as ceiling or wall mounting for *Vaporgard™* lighting fixtures (VXF boxes)
- mount enclosed and gasketed lighting fixtures: Series ARB and VGR; Series ARB fixture hangers (GRF boxes)

Features VXF:

- Compact, shallow design
- Takes GRF covers
- Multiple tapped conduit openings and pipe plugs for versatility
- 4 hubs and 3 plugs on VXF10 and VXF20
- 5 hubs and 4 plugs on VXFT10 and VXFT20

Features GRF:

- Surface mounting. Flush mounting can be obtained by nailing box to concrete form through mounting lug
- Drilled mounting lugs
- Four conduit bosses spaced 90° apart on sides and one boss on back
- Blank or drilled and tapped bodies (with 4 side bosses tapped and plugged, plus blank back boss)

Standard Materials:

- VXF – copper-free aluminum
- GRF – *Feraloy®* iron alloy or copper-free aluminum

Standard Finishes:

- VXF – epoxy enamel
- GRF – electrogalvanized and aluminum acrylic paint

Certifications and Compliances:

- UL Standard: boxes and covers – 514A
- CSA Standard: C22.2

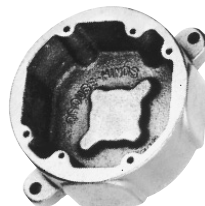


VXF Tapped Surface With Lugs
4 Hubs, 3 Plugs

Hub Size	Cat. #
1/2	VXF10
3/4	VXF20

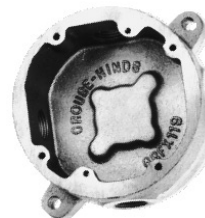
Surface With Lugs
5 Hubs, 4 Plugs

Hub Size	Cat. #
1/2	VXFT10
3/4	VXFT20



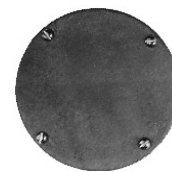
GRF Blank Surface With Lugs

Inside Depth	Cat. #
1 1/8	GRF19
1 15/16	GRF29
3 1/8	GRF39



GRFX Tapped Surface With Lugs
4 Hubs, 3 Plugs
Blank Back Boss

Inside Depth	Size Tap	Iron Cat. #	Aluminum Cat. #
1 1/8	1/2	GRFX119	GRF119
1 3/8	3/4	GRFX219	GRF219
2 1/16	1/2	GRFX129	GRF129
2 1/16	3/4	GRFX229	GRF229
2 1/16	1	GRFX329	GRF329
3 1/8	1/2	GRFX139	GRF139
3 1/8	3/4	GRFX239	GRF239
3 1/8	1	GRFX339	GRF339



GRF Blank Cover

Description	Aluminum	
	Steel Cat. #	Aluminum Cat. #
Surface	GRF10	GRF110



GRF Hub Covers

Description	Size	Aluminum	
		Iron Cat. #	Aluminum Cat. #
Surface	1/2	GRF11	GRF11-SA
Surface	3/4	GRF12	GRF12-SA

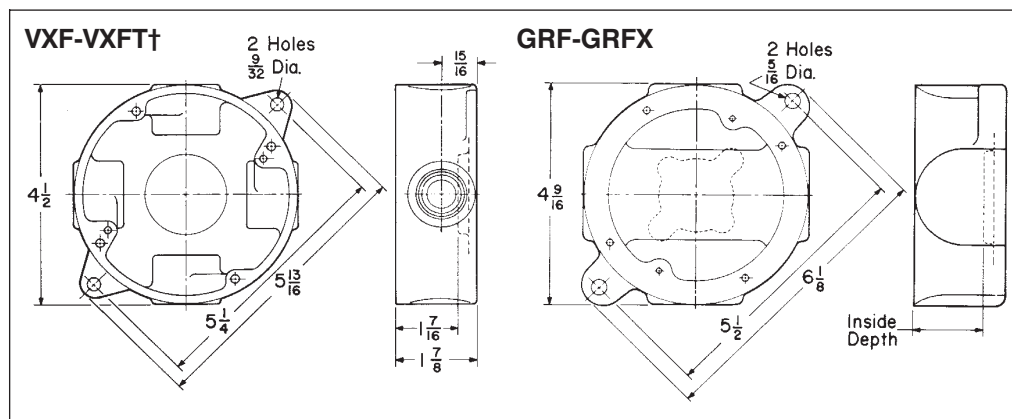


GRF Gasket

Description	Cat. #
Neoprene	GASK643

NOTE: See lighting 7L for complete listing of lighting fixtures and hangers.

Dimensions



† VXFT has hubs on 4 sides and back; VXF has hubs on 4 sides only.