

1P

# Arktite® Heavy Duty Circuit Breaking Receptacle Assemblies and Housings

NEMA 4 Watertight

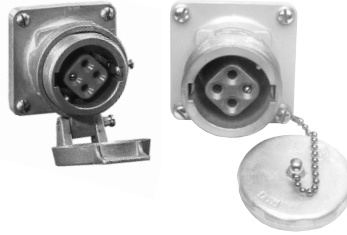
30 A, 600 VAC/250 VDC, 50† – 400 hertz

## Ordering Information:



Receptacle Assembly

With ARE Back Boxes



Receptacle

Receptacle Housings Only



Mating Plug

Mating APJ Plugs†

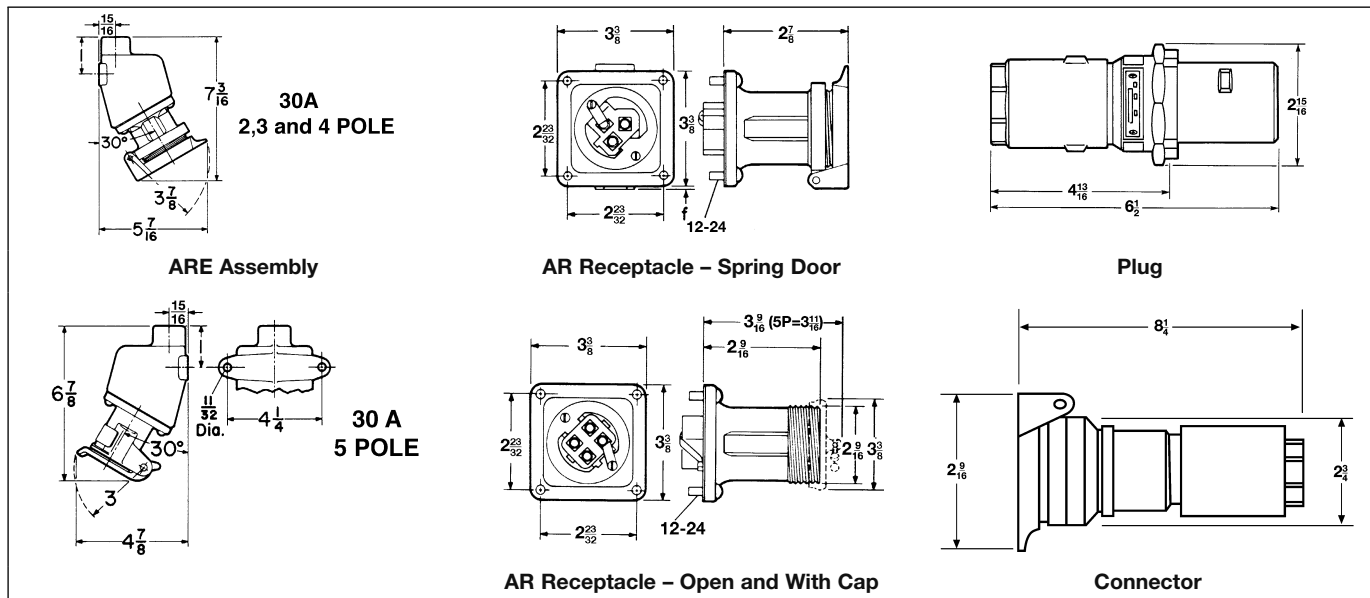


Mating Connector

Mating APR Connectors

Description	Hub Size (In.)	Spring Door Cat. #	Spring Door Cat. #	Threaded Cap Only Cat. #	Cat. #	Cable Dia.	Cat. #	Cable Dia.
<b>Style 1</b>								
2-wire, } 2-pole }	1/2	ARE3211	AR321	AR327	APJ3275	0.39 to 1.20	APR3255	0.39 to 1.20
	3/4	ARE3212						
3-wire, } 3-pole }	3/4	ARE3312	AR331	AR337	APJ3375	0.39 to 1.20	APR3355	0.39 to 1.20
	1	ARE3313						
4-wire, } 4-pole }	3/4	ARE3412	AR341	AR347	APJ3475	0.39 to 1.20	APR3455	0.87 to 1.20
	1	ARE3413						
5-wire, } 5-pole }	1	ARE3513	AR351		APJ3573	.500 to .875	APR3553	.500 to .875
<b>Style 2</b>								
2-wire, } 3-pole }	3/4	ARE3322	AR332	AR338	APJ3385	0.39 to 1.20	APR3365	0.39 to 1.20
	1	ARE3323						
3-wire, } 4-pole }	3/4	ARE3422	AR342	AR348	APJ3485	0.39 to 1.20	APR3465	0.39 to 1.20
	1	ARE3423						
4-wire, } 5-pole }	1	ARE3523	AR352		APJ3583	.500 to .875	APR3563	.500 to .875
					APJ3585	.875 to 1.375	APR3565	.875 to 1.375

## Dimensions In Inches:



†For use on systems less than 60 hertz the receptacles, plugs and connectors are for disconnect use only.

1P