

Small windowed utility enclosures

The 1100 W are used where the control installation does not demand a high degree of protection (such as watertight or dust tight), but where a quality enclosure is warranted. Boxes and covers are made from quality code gauge steel. The enclosures feature die cast hinges, which are bound to the cover by an exclusive concealed hinge pin system. The cover can be removed by unfastening the anti-

vibration lock nuts. Enclosures are closed with a ¼ turn lock that ensures tight positive closing against cushions. The window is made with self-extinguishing polycarbonate. Four internal mounting holes are provided. Optional external mounting is available (885 ESCHMF).

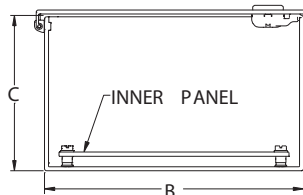
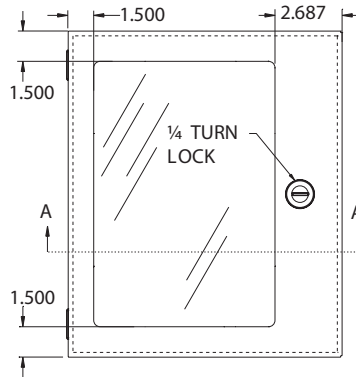
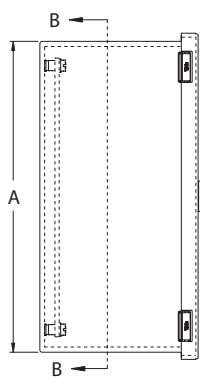
Each enclosure comes complete with a 14 GA inner panel which is mounted on weld nuts.

Enclosures and panels are finished with heat fused powder paint, electrostatically applied on a pretreated base.

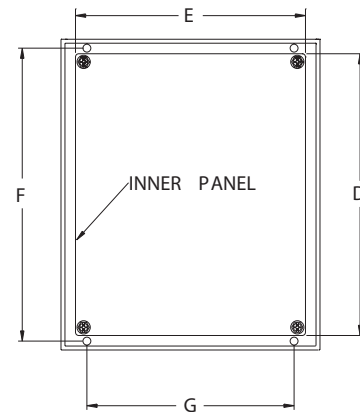
The box is ANSI/ASA 61 textured gray, the panel is white (other colors available).

**CSA Certified / UL Listed
NEMA/EEMAC 1 / IP30**

Refer to p.727 to validate choice of substrate for the application



SECTION A-A

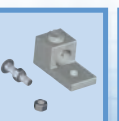
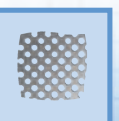


SECTION B-B



CATALOG NUMBER	DIMENSIONS							SHIP WTGT LBS.
	A	B	C	D	E	F	G	
1100 W060604	6	6	4	4.88	4.88	5.312	4	4
1100 W080604	8	6	4	6.88	4.88	7.312	4	4
1100 W080804	8	8	4	6.88	6.88	7.312	4	4
1100 W100804	10	8	4	8.88	6.88	9.312	6	7
1100 W101004	10	10	4	8.88	8.88	9.312	8	8
1100 W121004	12	10	4	10.88	8.88	11.31	8	9
1100 W121204	12	12	4	10.88	10.88	11.31	10	11
1100 W141204	14	12	4	12.88	10.88	13.31	10	12
1100 W080606	8	6	6	6.88	4.88	7.312	4	5
1100 W080806	8	8	6	6.88	6.88	7.312	6	7
1100 W100806	10	8	6	8.88	6.88	9.312	6	8
1100 W101006	10	10	6	8.88	8.88	9.312	8	9
1100 W121006	12	10	6	10.88	8.88	11.31	8	11
1100 W121206	12	12	6	10.88	10.88	11.31	10	12
1100 W141206	14	12	6	12.88	10.88	13.31	10	14
1100 W161206	16	12	6	14.88	10.88	15.31	10	16
1100 W121208	12	12	8	10.88	10.88	11.31	10	14
1100 W141208	14	12	8	12.88	10.88	13.31	10	16
1100 W161208	16	12	8	14.88	10.88	15.31	10	17

Data subject to change without notice.



Medium windowed utility enclosures

The 1100 W are used where the control installation does not demand a high degree of protection (such as watertight or dust tight), but where a quality enclosure is warranted. Boxes and covers are made from quality 16 GA steel. The enclosures feature die cast hinges, which are bound to the cover by an exclusive concealed hinge pin system. The cover can be removed by unfastening the anti-vibration lock nuts. Enclosures are closed with a

¼ turn lock that ensures tight positive closing against rubber cushions. The window is made with self-extinguishing polycarbonate. Four internal mounting holes are provided. Optional external mounting is available (885 ESMF).

Optional inner panels are available (881SP, 882SP or 881SP..P) which are mounted on M8 welded studs. Inner panels need to be ordered separately.

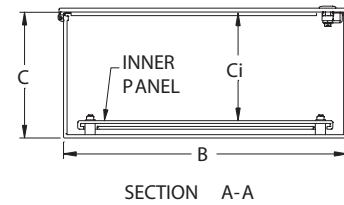
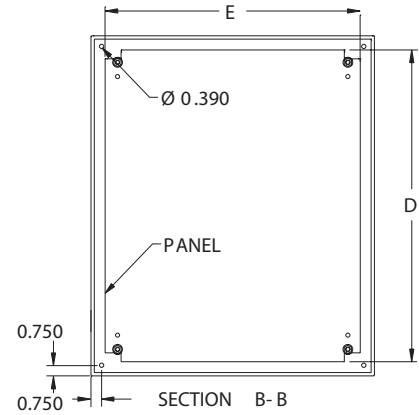
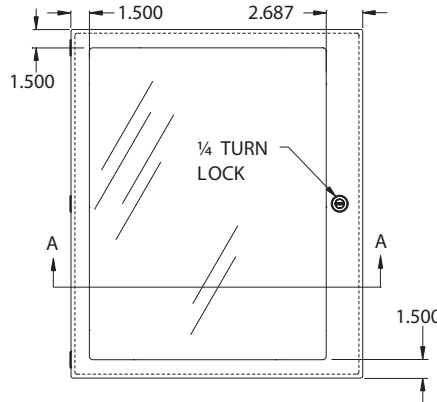
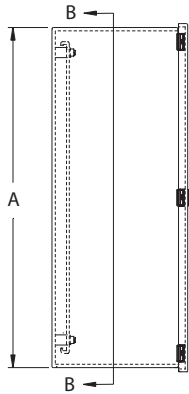
Enclosures and panels are finished

with heat fused powder paint, electrostatically applied on a pretreated base.

The box is ANSI/ASA 61 textured gray, the panel is white (other colors available).

**CSA Certified / UL Listed
NEMA/EEMAC 1 / IP30**

Refer to p.727 to validate choice of substrate for the application



CATALOG NUMBER	DIMENSIONS						BOX & COVER GAUGE	SHIP WGHT LBS.
	A	B	C	C _i	D	E		
1100 W161606	16	16	6.870	6	14	14	16	20
1100 W162006	16	20	6.870	6	14	18	16	25
1100 W201206	20	12	6.870	6	18	10	16	20
1100 W201606	20	16	6.870	6	18	14	16	25
1100 W202006	20	20	6.870	6	18	18	16	30
1100 W241606	24	16	6.870	6	22	14	16	29
1100 W242006	24	20	6.870	6	22	18	16	35
1100 W242406	24	24	6.870	6	22	22	14	49
1100 W302406	30	24	6.870	6	28	22	14	59
1100 W362406	36	24	6.870	6	34	22	14	70
1100 W363006	36	30	6.870	6	34	28	14	85
1100 W201208	20	12	8.870	8	18	10	16	22
1100 W201608	20	16	8.870	8	18	14	16	27
1100 W202008	20	20	8.870	8	18	18	16	32
1100 W242008	24	20	8.870	8	22	18	16	38
1100 W242408	24	24	8.870	8	22	22	14	53
1100 W302008	30	20	8.870	8	28	18	14	55
1100 W302408	30	24	8.870	8	28	22	14	64
1100 W303008	30	30	8.870	8	28	28	14	77
1100 W362408	36	24	8.870	8	34	22	14	75
1100 W363008	36	30	8.870	8	34	28	14	90
1100 W202010	20	20	10.870	10	18	18	16	35
1100 W242010	24	20	10.870	10	22	18	16	41
1100 W302410	30	24	10.870	10	28	22	14	69
1100 W242412	24	24	12.870	12	22	22	14	61
1100 W302412	30	24	12.870	12	28	22	14	73
1100 W363012	36	30	12.870	12	34	28	14	102

Note : Inner panel is optional

Data subject to change without notice.



p.444
<http://www.exmweb.com>

p.444

p.443

p.452
1-800-363-2423

p.468

p.478
Fax : 450-979-4626

p.472



info@exmweb.com