

REGULATING AND MONITORING

Small Thermostat



- **Compact design**
- **Wide adjustment range**
- **Color coded temperature dials**
- **DIN rail mountable**

Thermostat NC (normally closed)

Thermostat opens on temperature rise - for regulating heaters or for switching signal devices. Comes with **red** temperature dial.

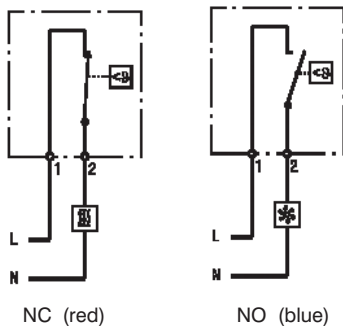
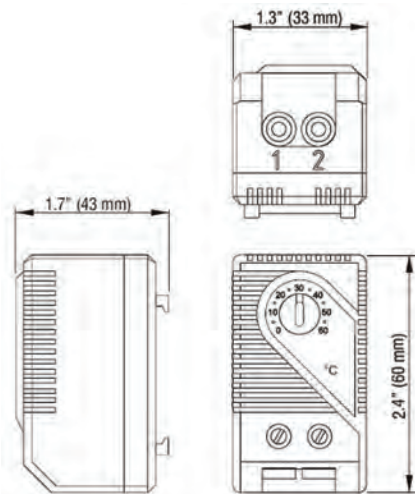
Thermostat NO (normally open)

Thermostat closes on temperature rise - for regulating filter fans and heat exchangers or for switching signal devices. Comes with **blue** temperature dial.

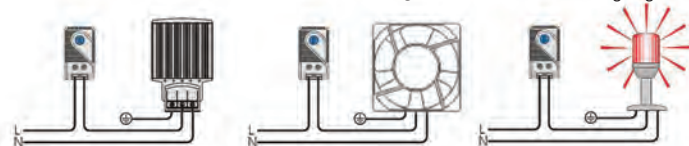


Technical Data

Switching difference	12.6°F ± 7°F tolerance (7K ± 4K)
Sensor element	thermostatic bimetal
Contact type	snap-action contact
Contact resistance	< 10mΩ
Service life	> 100,000 cycles
Max. switching capacity	15A resistive / 2A inductive @ 120VAC 10A resistive / 2A inductive @ 250VAC
	DC 30W
Minimum load	20mA (all voltages)
EMC	acc. to EN 55014-1-2, EN 61000-3-2, EN 61000-3-3
Connection	2-pole terminal, clamping torque 0.5Nm max.: solid wire - AWG 14 max. (2.5mm ²) stranded wire (with wire end ferrule) - AWG 16 (1.5mm ²)
Housing	plastic, UL 94V-0, light grey
Mounting	clip for 35mm DIN rail, EN 60 715 (or for Exhaust Filter EF 118 Series)
Mounting position	vertical
Operating / Storage temperature	-49 to +176°F (-45 to +80°C)
Dimensions	2.4 x 1.3 x 1.7" (60 x 33 x 43mm)
Weight	approx. 1.4 oz. (40g)
Protection type	IP20



KT 011 Thermostat Heater KT 011 Thermostat e.g. Fan KT 011 Thermostat e.g. Signal Device



Wiring examples

Setting range	Part No. (NC)	Part No. (NO)	Approvals
+32 to +140°F	01140.9-00	01141.9-00	UL File No. E164102, CSA
0 to +60°C	01146.9-00	01147.9-00	UL File No. E164102, CSA
-10 to +50°C	01142.0-00	N/A	UL File No. E164102, CSA, VDE
+10 to +70°C	N/A	01149.9-00	UL File No. E164102, CSA
-15 to +45°C	01157.0-00	01156.0-00	UL File No. E164102, CSA
+20 to +80°C	01159.0-00	01158.0-00	UL File No. E164102, CSA, VDE

Data subject to change without notice.