

Pull box extension rings / Open bottom pull box

The 1100 DER extension rings are installed over 1100 DF pull boxes to extend the depth of the enclosure. Standalone 1100 DER extension rings can also be used for applications which require a pull box with an open bottom. The extension rings are made from 16 GA steel. Four internal mounting holes are provided. Covers are not included

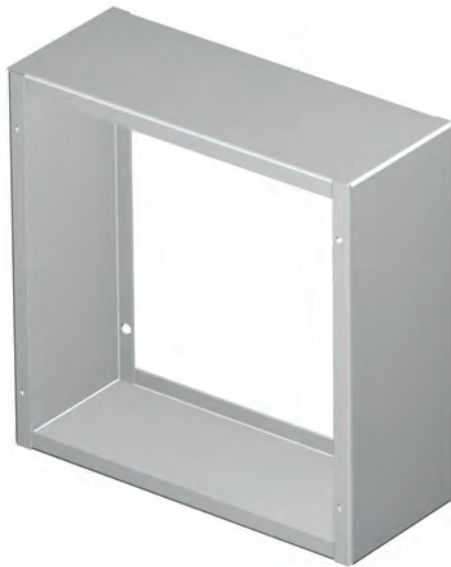
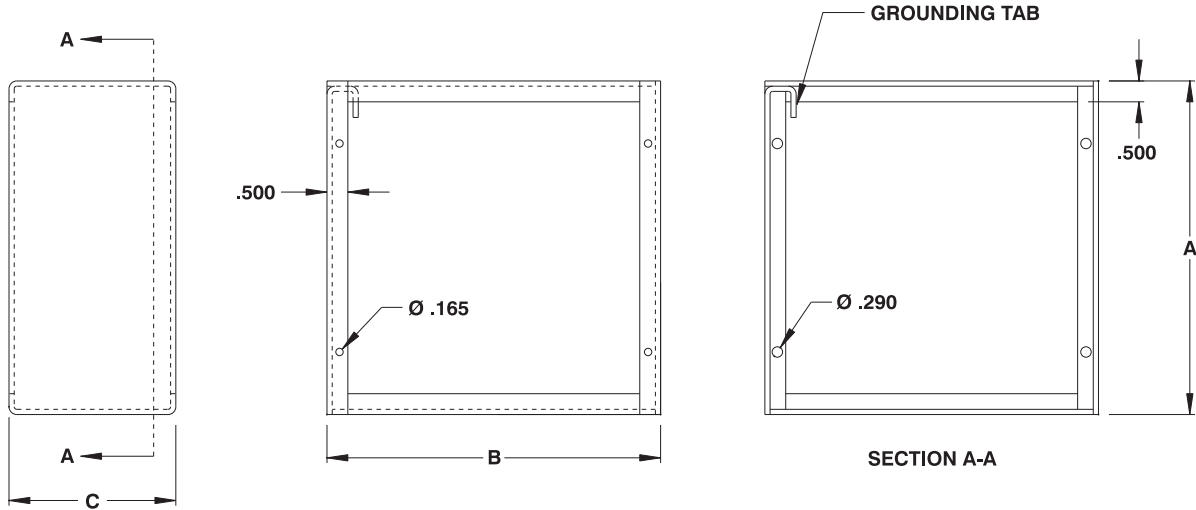
with the 1100 DER. When they are used as extension rings, the cover from the 1100 DF box can be installed on the 1100 DER. When they are used as standalone, open bottom pull boxes, the cover must be ordered separately. (see table)

Enclosures are finished with

ANSI/ASA 61 gray heat fused powder paint, electrostatically applied on a pretreated base. (other colors available).

NEMA/EEMAC 1 / IP30

Refer to p.727 to validate choice of substrate for the application

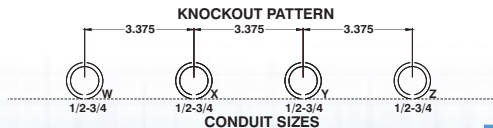


CATALOG NUMBER	DIMENSIONS			COVER NUMBER †	SHIP WGT LBS.
	A	B	C		
1100 DER060602	6	6	2	1100 DF0606C	2
1100 DER080802	8	8	2	1100 DF0808C	4
1100 DER101002	10	10	2	1100 DF1010C	5
1100 DER121202	12	12	2	1100 DF1212C	6
1100 DER161602	16	16	2	1100 DF1616C	9
1100 DER181802	18	18	2	1100 DF1818C	11
1100 DER060604	6	6	4	1100 DF0606C	4
1100 DER080804	8	8	4	1100 DF0808C	5
1100 DER101004	10	10	4	1100 DF1010C	7
1100 DER121204	12	12	4	1100 DF1212C	8
1100 DER161604	16	16	4	1100 DF1616C	12
1100 DER181804	18	18	4	1100 DF1818C	14
1100 DER060606	6	6	6	1100 DF0606C	5
1100 DER080806	8	8	6	1100 DF0808C	7
1100 DER101006	10	10	6	1100 DF1010C	9
1100 DER121206	12	12	6	1100 DF1212C	11
1100 DER161606	16	16	6	1100 DF1616C	15
1100 DER181806	18	18	6	1100 DF1818C	18

† If required, covers must be ordered separately.

* Enclosures are also available with knockout; add suffix 'KO' to the catalog number. (ie: 1100 DER080806KO)

Data subject to change without notice.



Telephone cabinets

The 1100 TC are specifically designed for telephone equipment. They are made of 16 GA or 14 GA steel and three different covers can be attached to the main body. If the installation requires a hinged flush mounted enclosure, then one body (1100 TC) and one cover (1100 HCF or 1100 HCFW) must be ordered. For a hinged surface mounted enclosure, one body (1100 TC) and

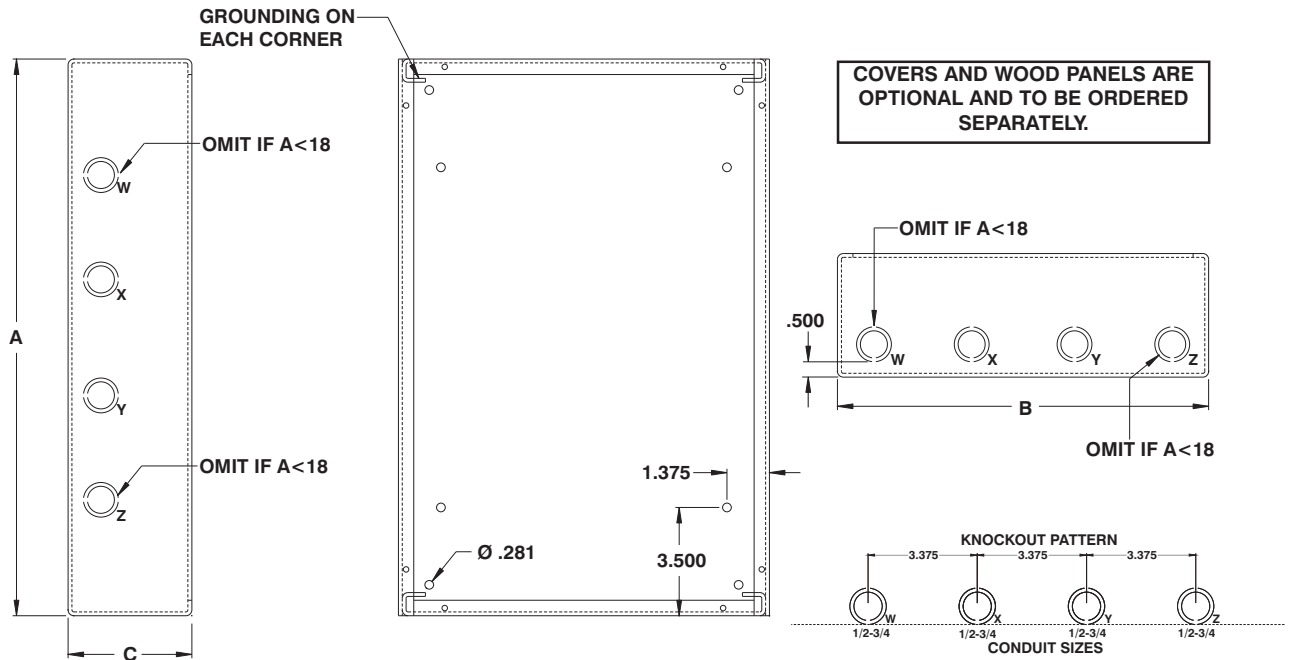
one cover (1100 HCS or 1100 HCSW) must be ordered. If a screw cover is required, one body (1100 TC) and one screw cover (1100 FCD) must be ordered.

The hinged covers are provided with a screw-on hinge and are closed with a ¼ turn key lock which ensures a positive door to box contact. Knockouts are provided and a wood back is available upon

request. Boxes and covers are finished with ANSI/ASA 61 gray heat fused powder paint, electrostatically applied on a pretreated base.

**CSA Certified / UL Listed
NEMA/EEMAC 1 / IP30**

Refer to p.727 to validate choice of substrate for the application



CATALOG NUMBER	DIMENSIONS			SHIP WGHT LBS.	CATALOG NUMBER	DIMENSIONS			SHIP WGHT LBS.
	A	B	C			A	B	C	
1100 TC121204	12	12	4	7	1100 TC362406	36	24	6	32
1100 TC181204	18	12	4	10	1100 TC363006	36	30	6	37
1100 TC181804	18	18	4	12	1100 TC363606	36	36	6	43
1100 TC241804	24	18	4	15	1100 TC483006	48	30	6	47
1100 TC242404	24	24	4	19	1100 TC483606	48	36	6	53
1100 TC302404	30	24	4	22	1100 TC484806	48	48	6	66
1100 TC303004	30	30	4	27	1100 TC121208	12	12	8	14
1100 TC362404	36	24	4	26	1100 TC181208	18	12	8	18
1100 TC363004	36	30	4	31	1100 TC181808	18	18	8	21
1100 TC363604	36	36	4	36	1100 TC241808	24	18	8	25
1100 TC483004	48	30	4	39	1100 TC242408	24	24	8	30
1100 TC483604	48	36	4	45	1100 TC302408	30	24	8	34
1100 TC484804	48	48	4	58	1100 TC303008	30	30	8	39
1100 TC121206	12	12	6	11	1100 TC362408	36	24	8	38
1100 TC181206	18	12	6	13	1100 TC363008	36	30	8	44
1100 TC181806	18	18	6	17	1100 TC363608	36	36	8	50
1100 TC241806	24	18	6	20	1100 TC483008	48	30	8	54
1100 TC242406	24	24	6	24	1100 TC483608	48	36	8	61
1100 TC302406	30	24	6	28	1100 TC484808	48	48	8	76
1100 TC303006	30	30	6	33					



Data subject to change without notice.



p.444 p.444 p.444 p.444 p.212 p.472 p.444
<http://www.exmweb.com> 1-800-363-2423 Fax : 450-979-4626



info@exmweb.com

Type-1 covers, blank or windowed

The **1100 covers** are used in conjunction with the **1100 TC, 1100 DF*, 1100 DFN* or 1100 DER* bodies**, where the control installation does not demand a high degree of protection (such as watertight or dust tight), but where a quality enclosure is warranted. Covers are made from quality 16 or 14 GA steel. Covers are available for: hinge flush mounting (1100 HCF), hinge surface mounting (1100 HCS), windowed hinge flush

mounting (1100 HCFW), windowed hinge surface mounting (1100 HCSW), screw cover flush mounting (1100 FCD) and screw cover surface mounting (1100 SCD). The window is made with self-extinguishing polycarbonate. Hinged covers are provided with a screw-on hinge and are closed with a 1/4 turn key lock which ensures a positive door to box contact. Covers are finished with ANSI/ASA 61 gray heat fused powder paint,

electrostatically applied on a pre-treated base (other colors available).

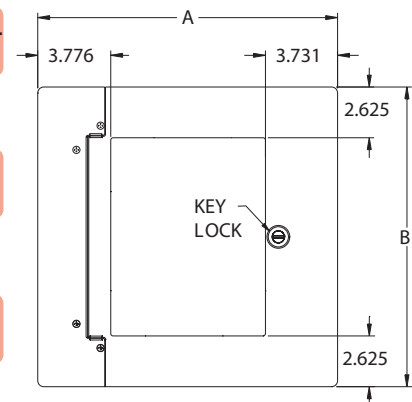
**CSA Certified / UL Listed
NEMA/EEMAC 1 / IP30**

*** - Field drilling of two holes is required**

Refer to p.727 to validate choice of substrate for the application

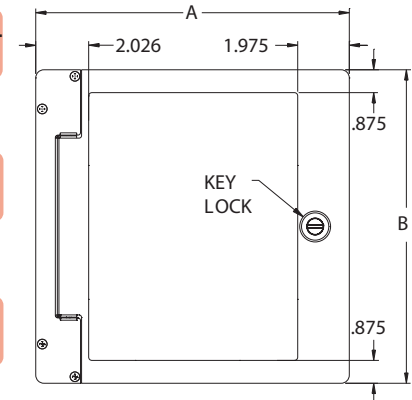
CATALOG NUMBER	DIMENSIONS		SHIP WGHT LBS.
	A	B	
1100 HCFW0808	11.5	11.5	2
1100 HCFW1008	13.5	11.5	2
1100 HCFW1010	13.5	13.5	3
1100 HCFW1208	15.5	11.5	3
1100 HCFW1210	15.5	13.5	3
1100 HCFW1212	15.5	15.5	4
1100 HCFW1512	18.5	15.5	5
1100 HCFW1515	18.5	18.5	5
1100 HCFW1612	19.5	15.5	5
1100 HCFW1616	19.5	19.5	6
1100 HCFW1812	21.5	15.5	5
1100 HCFW1815	21.5	18.5	6
1100 HCFW1818	21.5	21.5	7
1100 HCFW2016	23.5	19.5	7

CATALOG NUMBER	DIMENSIONS		SHIP WGHT LBS.
	A	B	
1100 HCFW2020	23.5	23.5	9
1100 HCFW2418	27.5	21.5	9
1100 HCFW2420	27.5	23.5	10
1100 HCFW2424	27.5	27.5	15
1100 HCFW3020	33.5	23.5	16
1100 HCFW3024	33.5	27.5	19
1100 HCFW3030	33.5	33.5	23
1100 HCFW3624	39.5	27.5	22
1100 HCFW3630	39.5	33.5	27
1100 HCFW3636	39.5	39.5	32
1100 HCFW4830	51.5	33.5	35
1100 HCFW4836	51.5	39.5	41
1100 HCFW4848	51.5	51.5	54

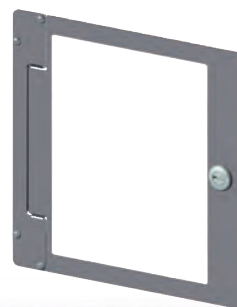


CATALOG NUMBER	DIMENSIONS		SHIP WGHT LBS.
	A	B	
1100 HCSW0808	8	8	1
1100 HCSW1008	10	8	1
1100 HCSW1010	10	10	2
1100 HCSW1208	12	8	2
1100 HCSW1210	12	10	2
1100 HCSW1212	12	12	2
1100 HCSW1512	15	12	3
1100 HCSW1515	15	15	4
1100 HCSW1612	16	12	3
1100 HCSW1616	16	16	4
1100 HCSW1812	18	12	3
1100 HCSW1815	18	15	4
1100 HCSW1818	18	18	5
1100 HCSW2016	20	16	5

CATALOG NUMBER	DIMENSIONS		SHIP WGHT LBS.
	A	B	
1100 HCSW2020	20	20	6
1100 HCSW2418	24	18	7
1100 HCSW2420	24	20	8
1100 HCSW2424	24	24	12
1100 HCSW3020	30	20	12
1100 HCSW3024	30	24	15
1100 HCSW3030	30	30	18
1100 HCSW3624	36	24	18
1100 HCSW3630	36	30	22
1100 HCSW3636	36	36	26
1100 HCSW4830	48	30	29
1100 HCSW4836	48	36	35
1100 HCSW4848	48	48	47



1100 HCFW



1100 HCSW

Data subject to change without notice.



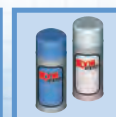
p.444



p.444

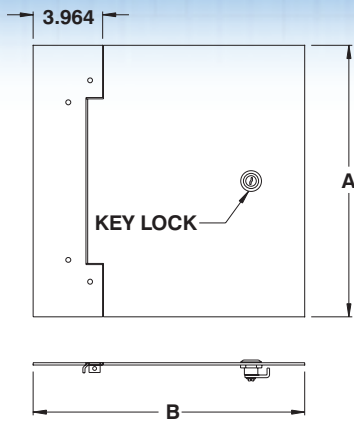


p.443



p.472

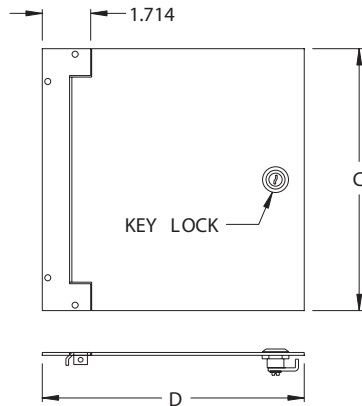
Hinged Flush Cover



CATALOG NUMBER	DIMENSIONS		SHIP WGT LBS.
	A	B	
1100 HCF0606	9.5	9.5	2
1100 HCF0806	11.5	9.5	3
1100 HCF0808	11.5	11.5	3
1100 HCF1008	13.5	11.5	3
1100 HCF1010	13.5	13.5	4
1100 HCF1206	15.5	9.5	4
1100 HCF1208	15.5	11.5	4
1100 HCF1210	15.5	13.5	5
1100 HCF1212	15.5	15.5	5
1100 HCF1512	18.5	15.5	6
1100 HCF1515	18.8	18.5	7
1100 HCF1612	19.5	15.5	7
1100 HCF1616	19.5	19.5	8
1100 HCF1812	21.5	15.5	7
1100 HCF1815	21.5	18.5	8

CATALOG NUMBER	DIMENSIONS		SHIP WGT LBS.
	A	B	
1100 HCF1818	21.5	21.5	10
1100 HCF2016	23.5	19.5	9
1100 HCF2020	23.5	23.5	11
1100 HCF2418	27.5	21.5	11
1100 HCF2420	27.5	23.5	13
1100 HCF2424	27.5	27.5	15
1100 HCF3020	33.5	23.5	16
1100 HCF3024	33.5	27.5	18
1100 HCF3030	33.5	33.5	22
1100 HCF3624	39.5	27.5	21
1100 HCF3630	39.5	33.5	26
1100 HCF3636	39.5	39.5	30
1100 HCF4830	51.5	33.5	33
1100 HCF4836	51.5	39.5	39
1100 HCF4848	51.5	51.5	51

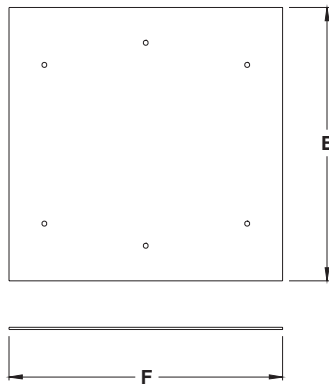
Hinged Surface Cover



CATALOG NUMBER	DIMENSIONS		SHIP WGT LBS.
	C	D	
1100 HCS0606	6	6	1
1100 HCS0806	8	6	1
1100 HCS0808	8	8	1
1100 HCS1008	10	8	1
1100 HCS1010	10	10	2
1100 HCS1206	12	6	1
1100 HCS1208	12	8	2
1100 HCS1210	12	10	2
1100 HCS1212	12	12	3
1100 HCS1512	15	12	3
1100 HCS1515	15	15	4
1100 HCS1612	16	12	4
1100 HCS1616	16	16	5
1100 HCS1812	18	12	4
1100 HCS1815	18	15	5

CATALOG NUMBER	DIMENSIONS		SHIP WGT LBS.
	C	D	
1100 HCS1818	18	18	6
1100 HCS2016	20	16	6
1100 HCS2020	20	20	7
1100 HCS2418	24	18	8
1100 HCS2420	24	20	9
1100 HCS2424	24	24	11
1100 HCS3020	30	20	11
1100 HCS3024	30	24	13
1100 HCS3030	30	30	17
1100 HCS3624	36	24	16
1100 HCS3630	36	30	20
1100 HCS3636	36	36	24
1100 HCS4830	48	30	27
1100 HCS4836	48	36	32
1100 HCS4848	48	48	43

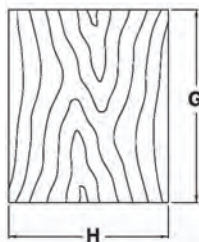
Screw-on Flush Cover



CATALOG NUMBER	DIMENSIONS		SHIP WGT LBS.
	E	F	
1100 FCD0606	9.5	9.5	2
1100 FCD0806	11.5	9.5	3
1100 FCD0808	11.5	11.5	3
1100 FCD1008	13.5	11.5	3
1100 FCD1010	13.5	13.5	4
1100 FCD1206	15.5	9.5	4
1100 FCD1208	15.5	11.5	4
1100 FCD1210	15.5	13.5	5
1100 FCD1212	15.5	15.5	5
1100 FCD1512	18.5	15.5	6
1100 FCD1515	18.5	18.5	7
1100 FCD1612	19.5	15.5	7
1100 FCD1616	19.5	19.5	8
1100 FCD1812	21.5	15.5	7
1100 FCD1815	21.5	18.5	8

CATALOG NUMBER	DIMENSIONS		SHIP WGT LBS.
	E	F	
1100 FCD1818	21.5	21.5	10
1100 FCD2016	23.5	19.5	9
1100 FCD2020	23.5	23.5	11
1100 FCD2418	27.5	21.5	11
1100 FCD2420	27.5	23.5	13
1100 FCD2424	27.5	27.5	15
1100 FCD3020	33.5	23.5	16
1100 FCD3024	33.5	27.5	18
1100 FCD3030	33.5	33.5	22
1100 FCD3624	39.5	27.5	21
1100 FCD3630	39.5	33.5	26
1100 FCD3636	39.5	39.5	30
1100 FCD4830	51.5	33.5	33
1100 FCD4836	51.5	39.5	39
1100 FCD4848	51.5	51.5	51

Wood Panel



CATALOG NUMBER	DIMENSIONS		SHIP WGT LBS.
	G	H	
881 WP1212	7	10.750	1
881 WP1812	13	10.750	2
881 WP1818	13	16.750	3
881 WP2418	19	16.750	5
881 WP2424	19	22.750	6
881 WP3024	25	22.750	8
881 WP3030	25	28.750	11

CATALOG NUMBER	DIMENSIONS		SHIP WGT LBS.
	G	H	
881 WP3624	31	22.750	10
881 WP3630	31	28.750	13
881 WP3636	31	34.750	16
881 WP4830	43	28.750	16
881 WP4836	43	34.750	22
881 WP4848	43	44.750	29

Data subject to change without notice.



p.206



p.444



p.443



p.472

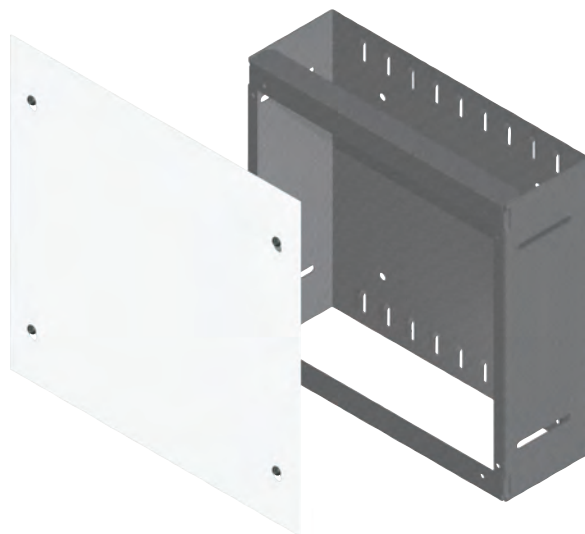
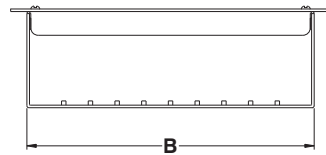
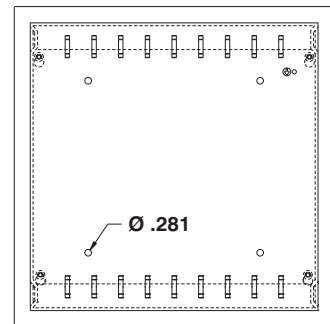
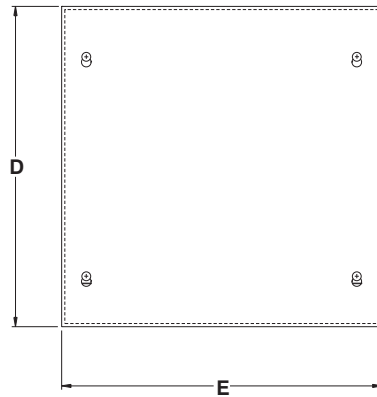
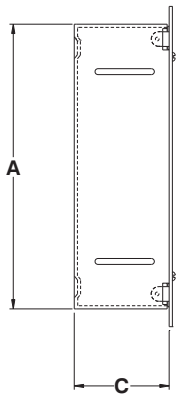
Communications Box

The **1100 CB** are specifically designed as a condominium, apartment or other buildings communications wiring box. They can be used to house wiring, automation, networking, security, telephony or television antenna, cable or satellite installations.

The boxes are made of 18 GA galvanized steel and have two cross stiffeners for greater rigidity. Four internal mounting holes are provided. Other types of optional covers are available (see pages 160-161) Boxes are unpainted and galvanized, covers are finished with white

heat fused powder paint, electrostatically applied on a pretreated base.

Refer to p.727 to validate choice of substrate for the application

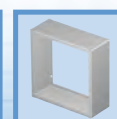


CATALOG NUMBER	DIMENSIONS					SHIP WGHT LBS.
	A	B	C	D	E	
1100 CB121204	12	12	4	13	13	6

Data subject to change without notice.



p.212



p.210



p.472

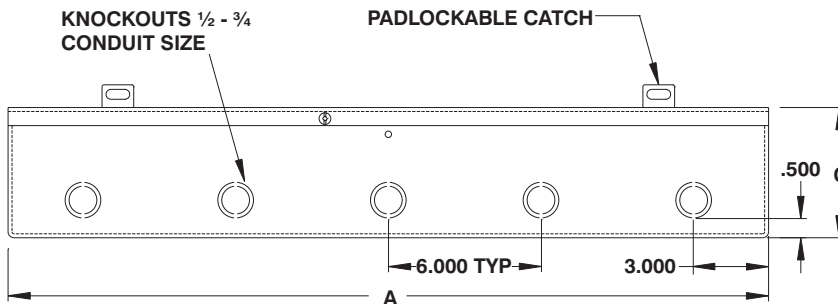
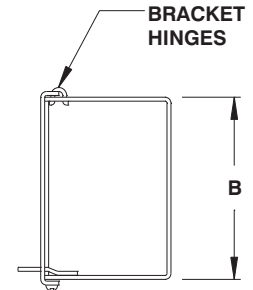
Troughs

The 1100 T troughs are designed for ordinary locations. They are made from 14 GA or 16 GA steel. They have mounting holes in the back, knockouts, bracket hinges and a provision for padlocking.

Troughs are finished with heat fused powder paint, electrostatically applied on a pretreated base. Trough is ANSI/ASA 61 gray (other colors available).

**CSA Certified
NEMA/EEMAC 1 / IP30**

Refer to p.727 to validate choice of substrate for the application



CATALOG NUMBER	DIMENSIONS			SHIP WGHT LBS.
	A	B	C	
1100 T2100	24	6	4	12
1100 T3100	36	6	4	15
1100 T4100	48	6	4	20
1100 T5100	60	6	4	24
1100 T6100	72	6	4	28
1100 T2200	24	8	5	19
1100 T3200	36	8	5	26
1100 T4200	48	8	5	32
1100 T5200	60	8	5	40
1100 T6200	72	8	5	46
1100 T3400	36	10	6	34
1100 T4400	48	10	6	42
1100 T5400	60	10	6	50
1100 T6400	72	10	6	59



Data subject to change without notice.

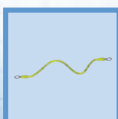


p,444

<http://www.exmweb.com>



p,478



p,479



p,472

1-800-363-2423

Fax : 450-979-4626



info@exmweb.com