

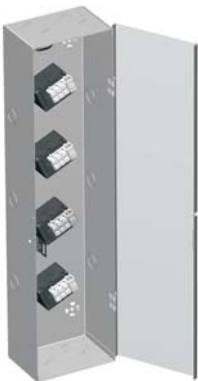
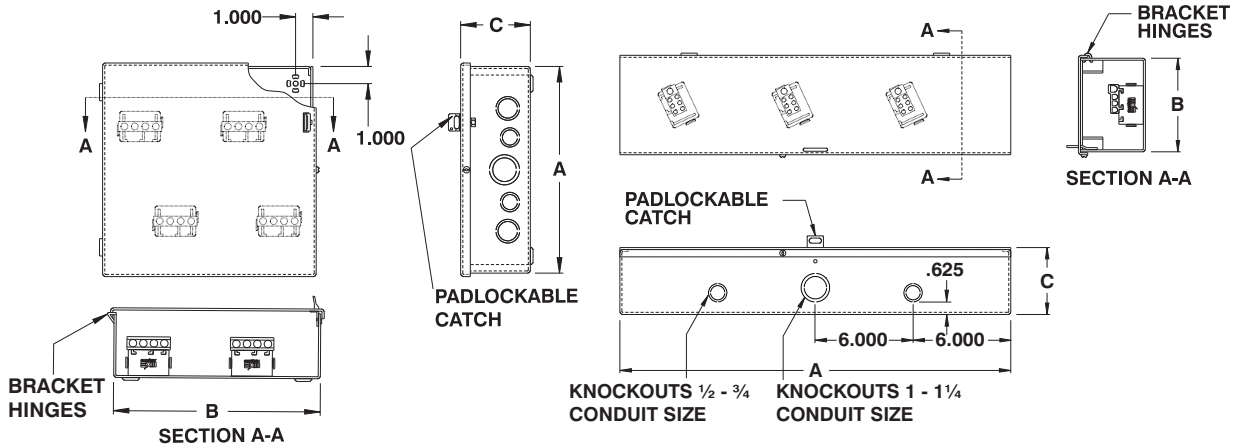
Splitter Boxes & Troughs EEMAC/NEMA 1

The 1100 B splitter boxes are designed for 600 V (max.) service, 3 or 4 wires, in ordinary locations. They are made from 14 GA or 16 GA steel. They have mounting holes in the back, knockouts, bracket hinges and a provision

for padlocking. The phenolic insulated splitter blocks are factory installed. The 225, 400 and 600 lugs have removable tops which allow wires to be easily laid-in place. Enclosures are finished with heat fused polyester powder,

electrostatically applied on a pre-treated base. Box is ANSI/ASA 61 gray (other colors available).

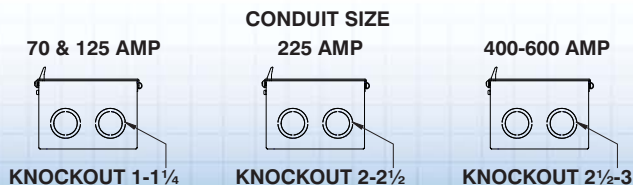
C.S.A. Certified
NEMA/EEMAC 1 / IP30



CATALOG NUMBER		MAX AMP. CU-AL	MAIN LUGS		BRANCH LUGS		DIMENSIONS			SHIP WGHT LBS.
3 WIRES	4 WIRES		QTY	WIRES	QTY	WIRES	A	B	C	
1100 B73	1100 B74	70	1	2-14	3	2-14	10	10	4	8
1100 B103	1100 B104	125	1	2/0-14	3	2/0-14	12	12	4	11
1100 B203	1100 B204	225	1	300MCM-6	3	2/0-14	18	12	5	16
1100 B403	1100 B404	400	1	600MCM-4	3	600MCM-4	22	20	6	34
1100 B603	1100 B604	600	2	600MCM-4	2	600MCM-4	26	25	7	49

CATALOG NUMBER		MAX AMP. CU-AL	MAIN LUGS		BRANCH LUGS		DIMENSIONS			SHIP WGHT LBS.
3 WIRES	4 WIRES		QTY	WIRES	QTY	WIRES	A	B	C	
1100 T273	1100 T274	70	1	2-14	6	2-14	24	5.750	4	12
1100 T373	1100 T374	70	1	2-14	6	2-14	36	6	4	15
1100 T473	1100 T474	70	1	2-14	6	2-14	48	6	4	20
1100 T2103	1100 T2104	125	1	1/0-14	6	2-14	24	6	4	12
1100 T3103	1100 T3104	125	1	1/0-14	6	2-14	36	6	4	15
1100 T4103	1100 T4104	125	1	1/0-14	6	2-14	48	6	4	20
1100 T5103	1100 T5104	125	1	1/0-14	6	2-14	60	6	4	24
1100 T6103	1100 T6104	125	1	1/0-14	6	2-14	72	6	4	28
1100 T2203	-----	225	1	300MCM-6	6	2/0-14	24	8.250	5	19
1100 T3203	1100 T3204	225	1	300MCM-6	6	2/0-14	36	8	5	26
1100 T4203	1100 T4204	225	1	300MCM-6	6	2/0-14	48	8	5	32
1100 T5203	1100 T5204	225	1	300MCM-6	6	2/0-14	60	8	5	40
1100 T6203	1100 T6204	225	1	300MCM-6	6	2/0-14	72	8	5	46
1100 T3403	-----	400	2	250MCM-1/0*	6	4/0-14	36	9.750	6	34
1100 T4403	1100 T4404	400	2	250MCM-1/0*	6	4/0-14	48	10	6	42
1100 T5403	1100 T5404	400	2	250MCM-1/0*	6	4/0-14	60	10	6	50
1100 T6403	1100 T6404	400	2	250MCM-1/0*	6	4/0-14	72	10	6	59
1100 T4603	1100 T4604	600	4	250MCM-1/0†	6	4/0-14	48	10	6	42
1100 T5603	1100 T5604	600	4	250MCM-1/0†	6	4/0-14	60	10	6	50
1100 T6603	1100 T6604	600	4	250MCM-1/0†	6	4/0-14	72	10	6	59

* OR 1 x 600MCM-4 † OR 2 x 600MCM-4 For 4 wire systems, add 1 lb to weight.



Data subject to change without notice.

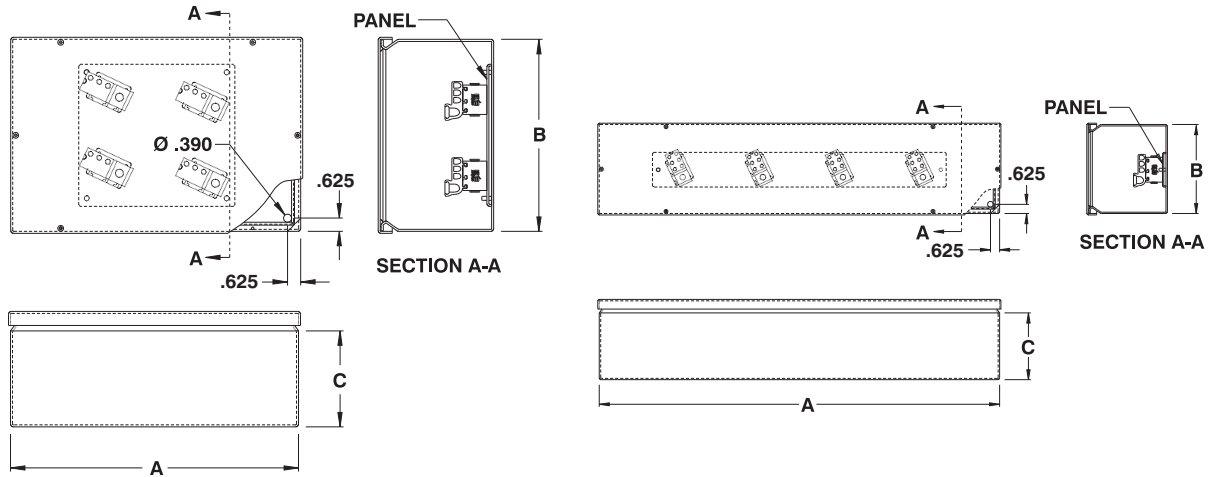
Splitter Boxes & Troughs EEMAC/NEMA 3R/4/12

The 1400 B & T splitter boxes and troughs are designed for 600 V (max.) service, 3 or 4 wires, in ordinary locations. There is a curled lip around all sides to prevent water from entering when the enclosure is open. This also increases rigidity.

They are made from 14 GA or 16 GA steel. They have four mounting holes and a screw cover. There are no knockouts. The phenolic insulated splitter blocks are factory installed on an interior panel mounted on welded studs. Optional mounting feet is avail-

able (885 CHMF). Enclosures are finished with heat fused polyester powder, electrostatically applied on a pretreated base. Box is ANSI/ASA 61 gray, panel is white (other colors available).

C.S.A. Certified
NEMA/EEMAC 3R-4-12 / IP66



CATALOG NUMBER		MAX AMP. CU-AL	MAIN LUGS		BRANCH LUGS		DIMENSIONS			SHIP WGHT LBS.
3 WIRES	4 WIRES		QTY	WIRES	QTY	WIRES	A	B	C	
1400 B73	1400 B74	70	1	2-14	3	2-14	10	10	5	8
1400 B103	1400 B104	125	1	2/0-14	3	2/0-14	12	12	5	11
1400 B203	1400 B204	225	1	300MCM-6	3	2/0-14	18	12	6	16
1400 B403	1400 B404	400	1	600MCM-4	3	600MCM-4	22	20	8	34
1400 B603	1400 B604	600	2	600MCM-4	2	600MCM-4	26	25	8	49

CATALOG NUMBER		MAX AMP. CU-AL	MAIN LUGS		BRANCH LUGS		DIMENSIONS			SHIP WGHT LBS.
3 WIRES	4 WIRES		QTY	WIRES	QTY	WIRES	A	B	C	
1400 T273	1400 T274	70	1	2-14	6	2-14	24	6	5	12
1400 T373	1400 T374	70	1	2-14	6	2-14	36	6	5	15
1400 T473	1400 T474	70	1	2-14	6	2-14	48	6	5	20
1400 T2103	1400 T2104	125	1	1/0-14	6	2-14	24	6	5	12
1400 T3103	1400 T3104	125	1	1/0-14	6	2-14	36	6	5	15
1400 T4103	1400 T4104	125	1	1/0-14	6	2-14	48	6	5	20
1400 T5103	1400 T5104	125	1	1/0-14	6	2-14	60	6	5	24
1400 T6103	1400 T6104	125	1	1/0-14	6	2-14	72	6	5	28
1400 T2203	-----	225	1	300MCM-6	6	2/0-14	24	8	6	19
1400 T3203	1400 T3204	225	1	300MCM-6	6	2/0-14	36	8	6	26
1400 T4203	1400 T4204	225	1	300MCM-6	6	2/0-14	48	8	6	32
1400 T5203	1400 T5204	225	1	300MCM-6	6	2/0-14	60	8	6	40
1400 T6203	1400 T6204	225	1	300MCM-6	6	2/0-14	72	8	6	46
1400 T3403	-----	400	2	250MCM-1/0*	6	4/0-14	36	11	8	34
1400 T4403	1400 T4404	400	2	250MCM-1/0*	6	4/0-14	48	11	8	42
1400 T5403	1400 T5404	400	2	250MCM-1/0*	6	4/0-14	60	11	8	50
1400 T6403	1400 T6404	400	2	250MCM-1/0*	6	4/0-14	72	11	8	59
1400 T4603	1400 T4604	600	4	250MCM-1/0†	6	4/0-14	48	11	8	42
1400 T5603	1400 T5604	600	4	250MCM-1/0†	6	4/0-14	60	11	8	50
1400 T6603	1400 T6604	600	4	250MCM-1/0†	6	4/0-14	72	11	8	59

* OR 1 x 600MCM-4

† OR 2 x 600MCM-4

For 4 wire systems, add 1 lb to weight.

Data subject to change without notice.



p.478



p.479



p.459



p.472



p.238



p.462

<http://www.exmweb.com>

1-800-363-2423

Fax : 450-979-4626



info@exmweb.com