

## Water, oil & dust tight enclosures

The 5412 ES water, oil & dust tight enclosures are used indoors or outdoors in areas where the enclosures may be subject to hosing or to water coming from any direction or for protection against dust, dirt or oil splashing. The 5412 ES are made from quality 14 GA or 16 GA steel, with corner seams continuously welded. The opening has a curled lip around all sides to prevent dripping water from entering the enclosure when the door is open,

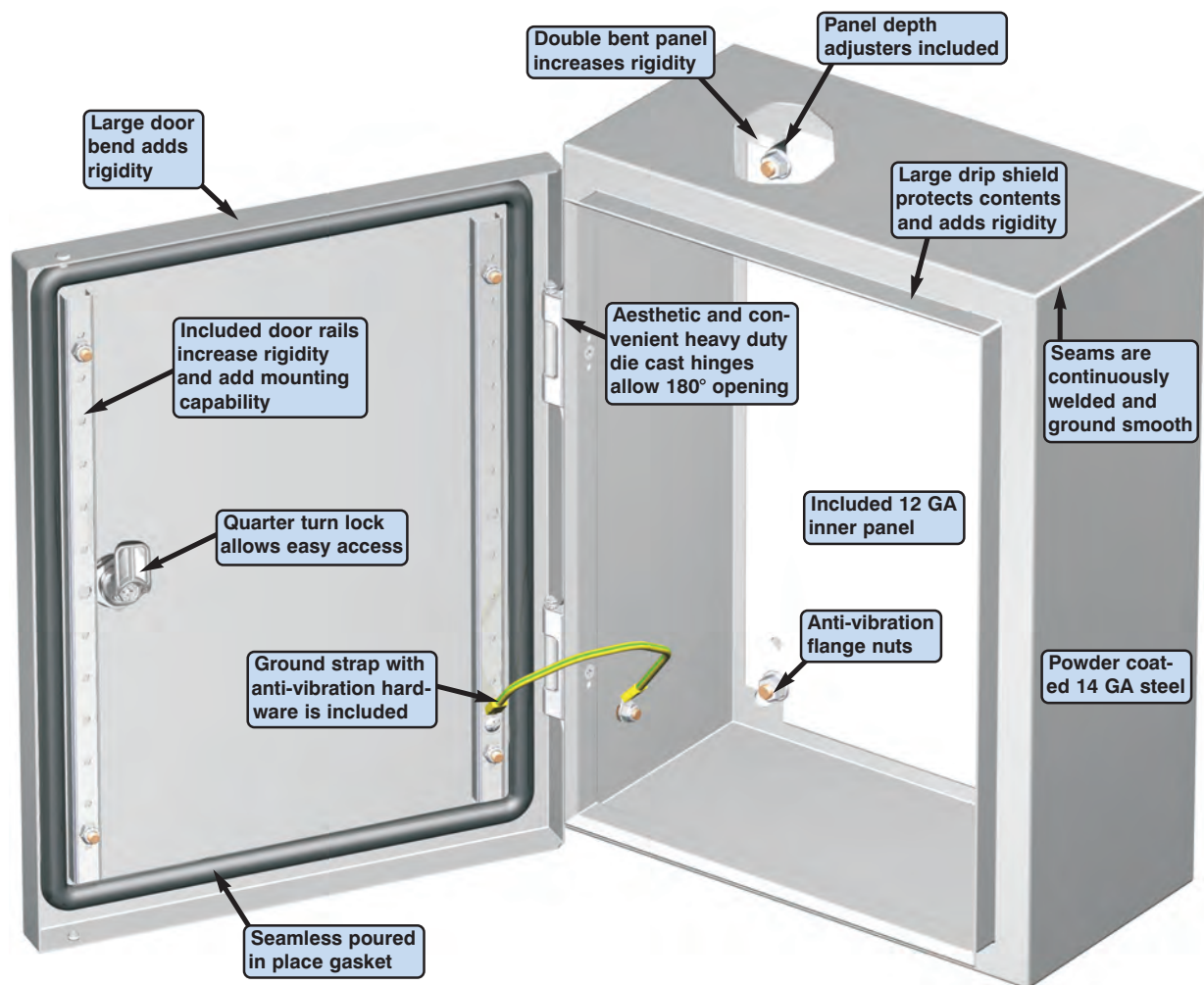
it also increases rigidity. A high quality robotically poured-in-place seamless gasket ensures a complete and durable water tight seal. The pins of the concealed hinges can be pulled out to remove the door.

A ¼ turn locking mechanism (or 3 point latch system on larger enclosures) ensures positive closing. Internal mounting holes are provided. Each enclosure comes **complete with a 12 GA inner panel** which is double

bent\* for maximum rigidity which mounts on M8 welded studs. Enclosures and panels are finished with heat fused powder paint, electrostatically applied on a pretreated base. Box is ANSI/ASA 61 gray, panel is white (other colors available).

**CSA Certified / UL Listed  
NEMA/EEMAC 4-12 / IP66**

Refer to p.727 to validate choice of substrate for the application

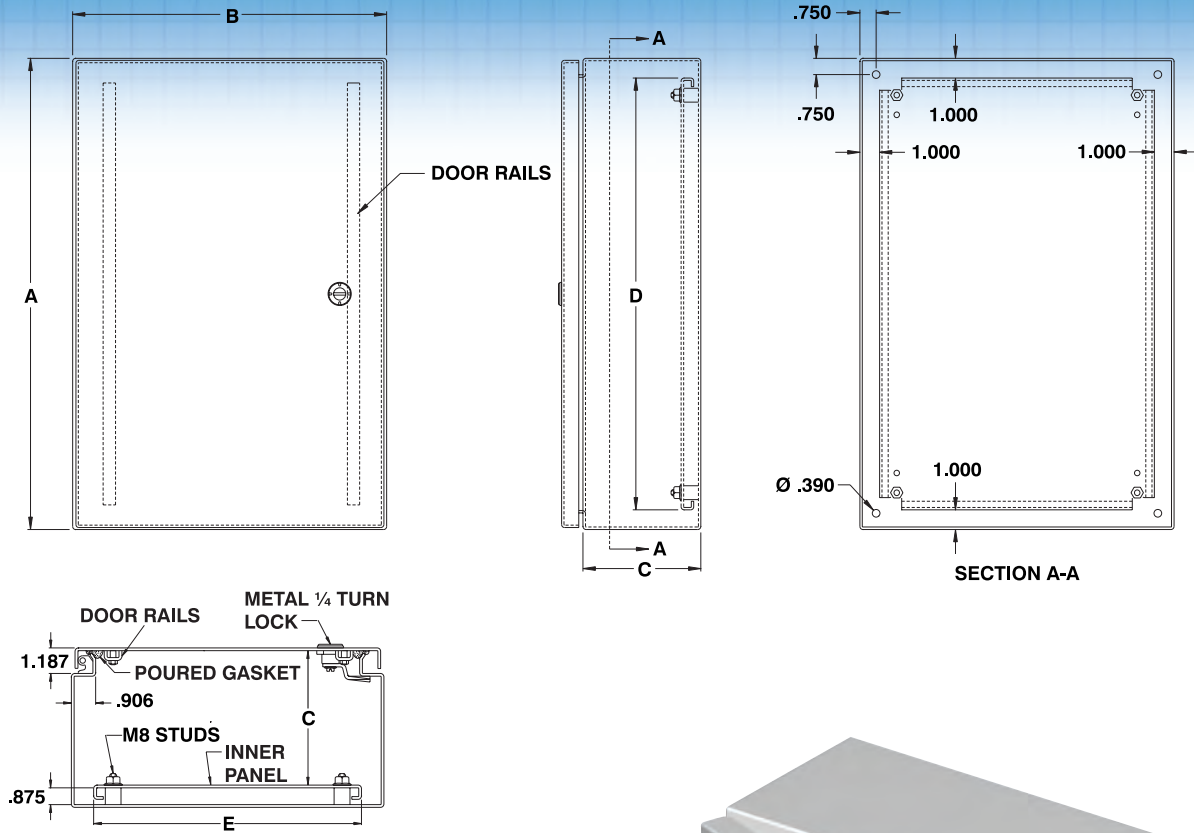


Customize with



Data subject to change without notice.





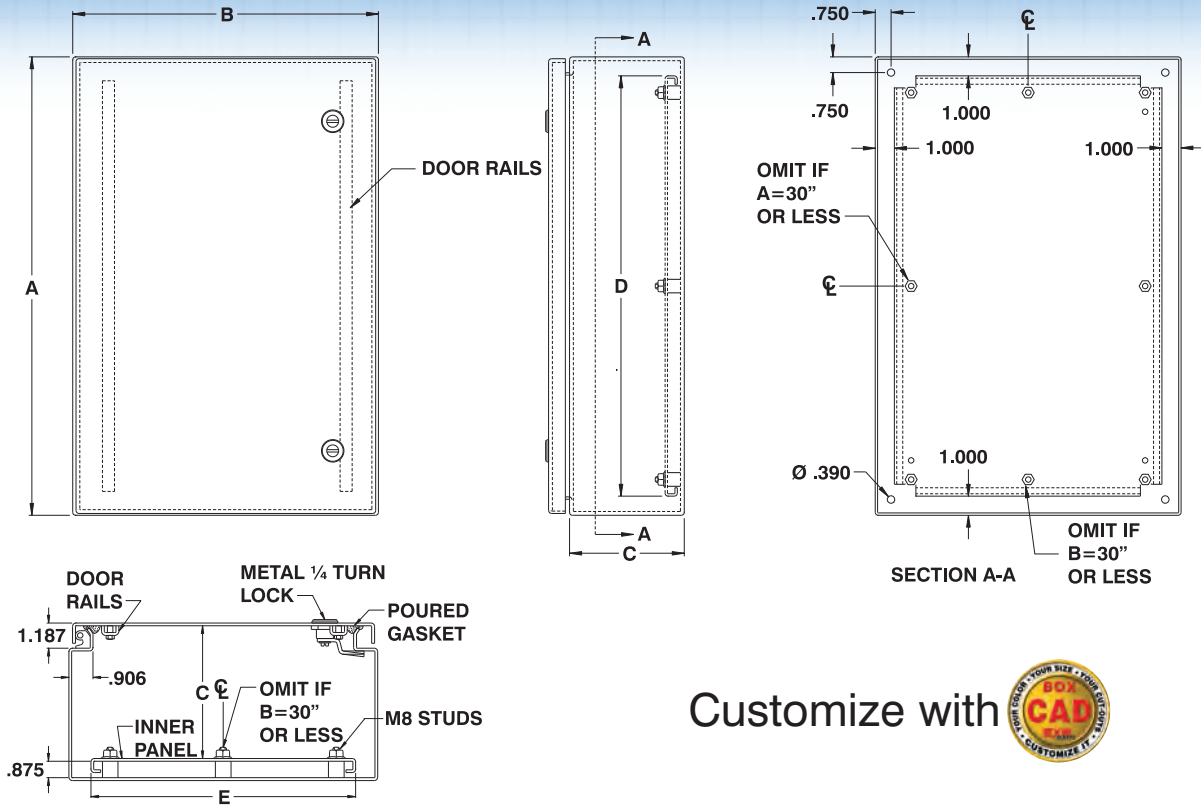
CATALOG NUMBER	DIMENSIONS					SHIP WGT LBS.
	A	B	C	D	E	
5412 ES121206	12	12	6	10	10	19
5412 ES122406	12	24	6	10	22	35
5412 ES161206	16	12	6	14	10	24
5412 ES161606	16	16	6	14	14	31
5412 ES162006	16	20	6	14	18	37
5412 ES122408	12	24	8	10	22	38
5412 ES161208	16	12	8	14	10	27
5412 ES161608	16	16	8	14	14	34
5412 ES162008	16	20	8	14	18	41
5412 ES161210	16	12	10	14	10	30

\* Only panels with sides 20" or more are double bent.

Customize with 

Data subject to change without notice.





Customize with



CATALOG NUMBER	DIMENSIONS					SHIP WGT LBS.
	A	B	C	D	E	
5412 ES201206	20	12	6	18	10	29
5412 ES201606	20	16	6	18	14	37
5412 ES202006	20	20	6	18	18	45
5412 ES202406	20	24	6	18	22	53
5412 ES241206	24	12	6	22	10	35
5412 ES241606	24	16	6	22	14	44
5412 ES242006	24	20	6	22	18	53
5412 ES242406	24	24	6	22	22	62
5412 ES301606	30	16	6	28	14	53
5412 ES302006	30	20	6	28	18	65
5412 ES302406	30	24	6	28	22	76
5412 ES362406	36	24	6	34	22	90
5412 ES363006	36	30	6	34	28	109
5412 ES201208	20	12	8	18	10	33
5412 ES201608	20	16	8	18	14	41
5412 ES202008	20	20	8	18	18	49
5412 ES202408	20	24	8	18	22	57
5412 ES241208	24	12	8	22	10	38
5412 ES241608	24	16	8	22	14	48
5412 ES242008	24	20	8	22	18	57
5412 ES242408	24	24	8	22	22	67
5412 ES243008	24	30	8	22	28	81
5412 ES301208	30	12	8	28	10	46
5412 ES301608	30	16	8	28	14	58
5412 ES302008	30	20	8	28	18	70
5412 ES302408	30	24	8	28	22	81
5412 ES303008	30	30	8	28	28	98
5412 ES303608	30	36	8	28	34	116
5412 ES362408	36	24	8	34	22	95
5412 ES363008	36	30	8	34	28	116

CATALOG NUMBER	DIMENSIONS					SHIP WGT LBS.
	A	B	C	D	E	
5412 ES363608	36	36	8	34	34	136
5412 ES201610	20	16	10	18	14	44
5412 ES202010	20	20	10	18	18	53
5412 ES241210	24	12	10	22	10	42
5412 ES242010	24	20	10	22	18	62
5412 ES242410	24	24	10	22	22	71
5412 ES302010	30	20	10	28	18	74
5412 ES302410	30	24	10	28	22	86
5412 ES303010	30	30	10	28	28	100
5412 ES362410	36	24	10	34	22	101
5412 ES363010	36	30	10	34	28	122
5412 ES201612	20	16	12	18	14	48
5412 ES202012	20	20	12	18	18	57
5412 ES202412	20	24	12	18	22	66
5412 ES242012	24	20	12	22	18	66
5412 ES242412	24	24	12	22	22	76
5412 ES302412	30	24	12	28	22	92
5412 ES303012	30	30	12	28	28	110
5412 ES362412	36	24	12	34	22	107
5412 ES363012	36	30	12	34	28	129
5412 ES363612	36	36	12	34	34	150
5412 ES242016	24	20	16	22	18	74
5412 ES242416	24	24	16	22	22	86
5412 ES302416	30	24	16	28	22	102
5412 ES362416	36	24	16	34	22	119
5412 ES363016	36	30	16	34	28	142
5412 ES302420	30	24	20	28	22	113
5412 ES363020	36	30	20	34	28	155
5412 ES302424	30	24	24	28	22	123

Data subject to change without notice.