

Small utility enclosures

The 1100 are used where the control installation does not demand a high degree of protection (such as watertight or dust tight), but where a quality enclosure is warranted. Boxes and covers are made from quality code gauge steel. The enclosures feature die cast hinges, which are bound to the cover by an exclusive concealed hinge pin system. The cover can be removed by

unfastening the anti-vibration lock nuts. Enclosures are closed with a ¼ turn lock that ensures tight positive closing against cushions. Four internal mounting holes are provided. Optional external mounting is available (885 ESCHMF).

Each enclosure comes complete with a 14 GA inner panel that mounts on weld nuts.

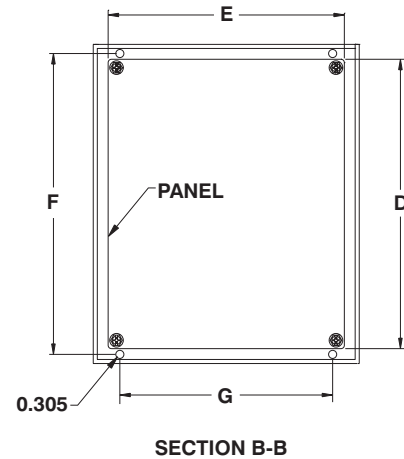
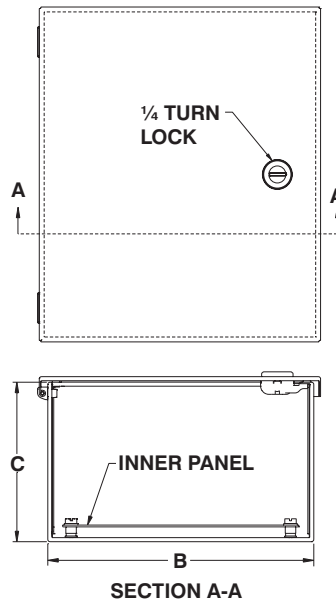
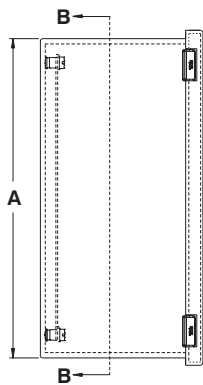
Enclosures and panels are finished

with heat fused powder paint, electrostatically applied on a pretreated base.

The box is ANSI/ASA 61 textured gray, the panel is white (other colors available).

**CSA Certified / UL Listed
NEMA/EEMAC 1 / IP30**

Refer to p.727 to validate choice of substrate for the application



CATALOG NUMBER	DIMENSIONS							SHIP WGT LBS.
	A	B	C	D	E	F	G	
1100 060604	6	6	4	4.88	4.88	5.312	4	4
1100 080604	8	6	4	6.88	4.88	7.312	4	4
1100 080804	8	8	4	6.88	6.88	7.312	4	4
1100 100804	10	8	4	8.88	6.88	9.312	6	7
1100 101004	10	10	4	8.88	8.88	9.312	8	8
1100 121004	12	10	4	10.88	8.88	11.31	8	9
1100 121204	12	12	4	10.88	10.88	11.31	10	11
1100 141204	14	12	4	12.88	10.88	13.31	10	12
1100 080606	8	6	6	6.88	4.88	7.312	4	5
1100 080806	8	8	6	6.88	6.88	7.312	6	7
1100 100806	10	8	6	8.88	6.88	9.312	6	8
1100 101006	10	10	6	8.88	8.88	9.312	8	9
1100 121006	12	10	6	10.88	8.88	11.31	8	11
1100 121206	12	12	6	10.88	10.88	11.31	10	12
1100 141206	14	12	6	12.88	10.88	13.31	10	14
1100 161206	16	12	6	14.88	10.88	15.31	10	16
1100 121208	12	12	8	10.88	10.88	11.31	10	14
1100 141208	14	12	8	12.88	10.88	13.31	10	16
1100 161208	16	12	8	14.88	10.88	15.31	10	17

Data subject to change without notice.



Medium utility enclosures

The 1100 are used where the control installation does not demand a high degree of protection (such as watertight or dust tight), but where a quality enclosure is warranted. Boxes and covers are made from quality 16 GA or 14 GA steel. The enclosures feature die cast hinges, which are bound to the cover by an exclusive one piece concealed hinge.

The cover can be removed by unfastening the anti-vibration lock

screws. Enclosures are closed with a ¼ turn lock that ensures tight positive closing against cushions. Four internal mounting holes are provided. Optional external mounting is available (885 ESMF).

Optional inner panels are available (881SP, 882SP or 881SP..P) which are mounted on M8 welded studs. The inner panels need to be ordered separately.

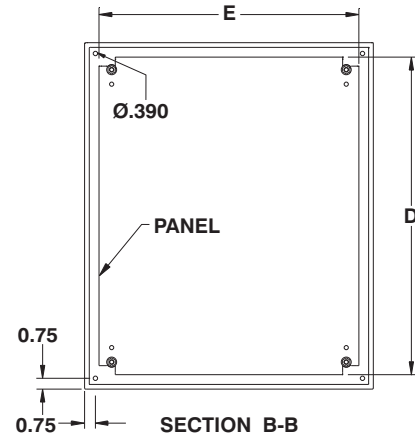
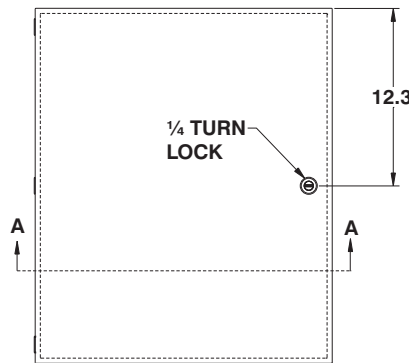
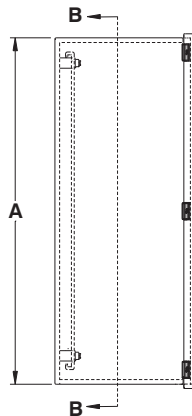
Enclosures and panels are finished with heat fused powder paint, elec-

trostatically applied on a pretreated base.

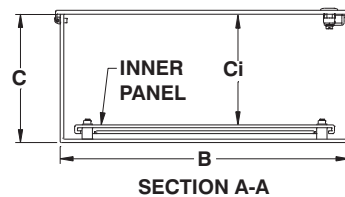
The box is ANSI/ASA 61 textured gray, the panel is white (other colors available).

**CSA Certified / UL Listed
NEMA/EEMAC 1 / IP30**

Refer to p.727 to validate choice of substrate for the application



CATALOG NUMBER	DIMENSIONS						BOX & COVER GAUGE	SHIP WGT LBS.
	A	B	C	C _i	D	E		
1100 161606	16	16	6.870	6	14	14	16	20
1100 162006	16	20	6.870	6	14	18	16	25
1100 201206	20	12	6.870	6	18	10	16	20
1100 201606	20	16	6.870	6	18	14	16	25
1100 202006	20	20	6.870	6	18	18	16	30
1100 241606	24	16	6.870	6	22	14	16	29
1100 242006	24	20	6.870	6	22	18	16	35
1100 242406	24	24	6.870	6	22	22	14	49
1100 302406	30	24	6.870	6	28	22	14	59
1100 362406	36	24	6.870	6	34	22	14	70
1100 363006	36	30	6.870	6	34	28	14	85
1100 201208	20	12	8.870	8	18	10	16	22
1100 201608	20	16	8.870	8	18	14	16	27
1100 202008	20	20	8.870	8	18	18	16	32
1100 242008	24	20	8.870	8	22	18	16	38
1100 242408	24	24	8.870	8	22	22	14	53
1100 302008	30	20	8.870	8	28	18	14	55
1100 302408	30	24	8.870	8	28	22	14	64
1100 303008	30	30	8.870	8	28	28	14	77
1100 362408	36	24	8.870	8	34	22	14	75
1100 363008	36	30	8.870	8	34	28	14	90
1100 202010	20	20	10.870	10	18	18	16	35
1100 242010	24	20	10.870	10	22	18	16	41
1100 302410	30	24	10.870	10	28	22	14	69
1100 242412	24	24	12.870	12	22	22	14	61
1100 302412	30	24	12.870	12	28	22	14	73
1100 363012	36	30	12.870	12	34	28	14	102



Note : Inner panel is optional

Data subject to change without notice.



p.444

<http://www.exmweb.com>



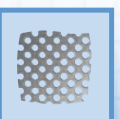
p.443



p.452



p.462



p.468

1-800-363-2423



p.478

Fax : 450-979-4626



p.472



info@exmweb.com

Small windowed utility enclosures

The 1100 W are used where the control installation does not demand a high degree of protection (such as watertight or dust tight), but where a quality enclosure is warranted. Boxes and covers are made from quality code gauge steel. The enclosures feature die cast hinges, which are bound to the cover by an exclusive concealed hinge pin system. The cover can be removed by unfastening the anti-

vibration lock nuts. Enclosures are closed with a ¼ turn lock that ensures tight positive closing against cushions. The window is made with self-extinguishing polycarbonate. Four internal mounting holes are provided. Optional external mounting is available (885 ESCHMF).

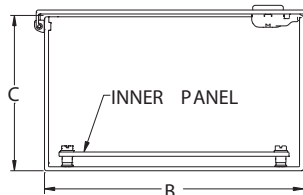
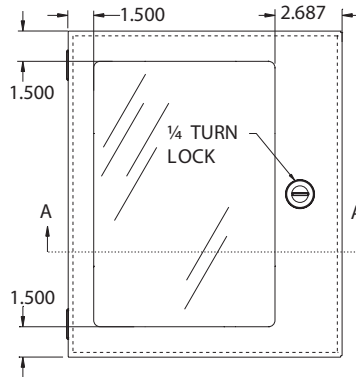
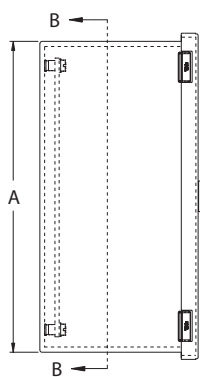
Each enclosure comes complete with a 14 GA inner panel which is mounted on weld nuts.

Enclosures and panels are finished with heat fused powder paint, electrostatically applied on a pretreated base.

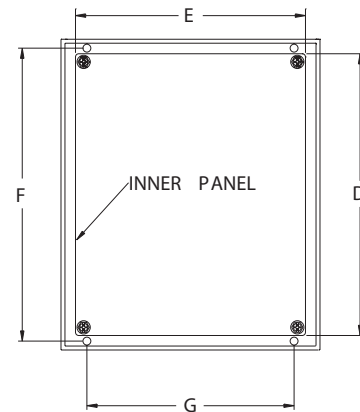
The box is ANSI/ASA 61 textured gray, the panel is white (other colors available).

**CSA Certified / UL Listed
NEMA/EEMAC 1 / IP30**

Refer to p.727 to validate choice of substrate for the application



SECTION A-A

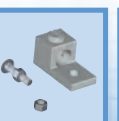
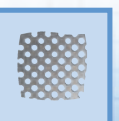


SECTION B-B



CATALOG NUMBER	DIMENSIONS							SHIP WTGT LBS.
	A	B	C	D	E	F	G	
1100 W060604	6	6	4	4.88	4.88	5.312	4	4
1100 W080604	8	6	4	6.88	4.88	7.312	4	4
1100 W080804	8	8	4	6.88	6.88	7.312	4	4
1100 W100804	10	8	4	8.88	6.88	9.312	6	7
1100 W101004	10	10	4	8.88	8.88	9.312	8	8
1100 W121004	12	10	4	10.88	8.88	11.31	8	9
1100 W121204	12	12	4	10.88	10.88	11.31	10	11
1100 W141204	14	12	4	12.88	10.88	13.31	10	12
1100 W080606	8	6	6	6.88	4.88	7.312	4	5
1100 W080806	8	8	6	6.88	6.88	7.312	6	7
1100 W100806	10	8	6	8.88	6.88	9.312	6	8
1100 W101006	10	10	6	8.88	8.88	9.312	8	9
1100 W121006	12	10	6	10.88	8.88	11.31	8	11
1100 W121206	12	12	6	10.88	10.88	11.31	10	12
1100 W141206	14	12	6	12.88	10.88	13.31	10	14
1100 W161206	16	12	6	14.88	10.88	15.31	10	16
1100 W121208	12	12	8	10.88	10.88	11.31	10	14
1100 W141208	14	12	8	12.88	10.88	13.31	10	16
1100 W161208	16	12	8	14.88	10.88	15.31	10	17

Data subject to change without notice.



Medium windowed utility enclosures

The 1100 W are used where the control installation does not demand a high degree of protection (such as watertight or dust tight), but where a quality enclosure is warranted. Boxes and covers are made from quality 16 GA steel. The enclosures feature die cast hinges, which are bound to the cover by an exclusive concealed hinge pin system. The cover can be removed by unfastening the anti-vibration lock nuts. Enclosures are closed with a

¼ turn lock that ensures tight positive closing against rubber cushions. The window is made with self-extinguishing polycarbonate. Four internal mounting holes are provided. Optional external mounting is available (885 ESMF).

Optional inner panels are available (881SP, 882SP or 881SP..P) which are mounted on M8 welded studs. Inner panels need to be ordered separately.

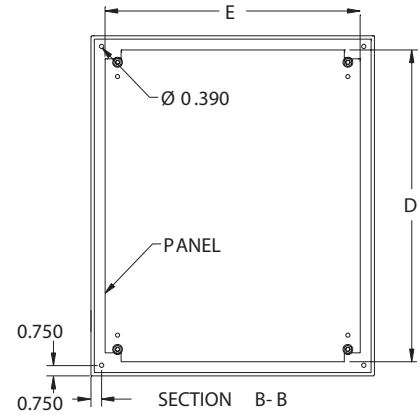
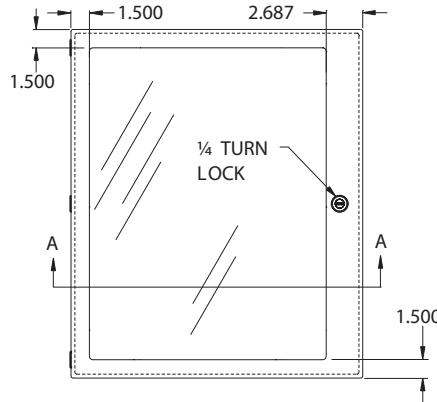
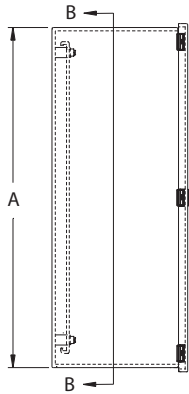
Enclosures and panels are finished

with heat fused powder paint, electrostatically applied on a pretreated base.

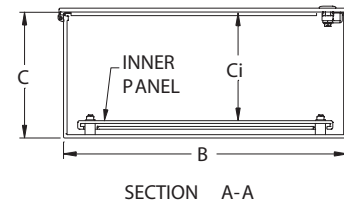
The box is ANSI/ASA 61 textured gray, the panel is white (other colors available).

**CSA Certified / UL Listed
NEMA/EEMAC 1 / IP30**

Refer to p.727 to validate choice of substrate for the application



CATALOG NUMBER	DIMENSIONS						BOX & COVER GAUGE	SHIP WGHT LBS.
	A	B	C	C _i	D	E		
1100 W161606	16	16	6.870	6	14	14	16	20
1100 W162006	16	20	6.870	6	14	18	16	25
1100 W201206	20	12	6.870	6	18	10	16	20
1100 W201606	20	16	6.870	6	18	14	16	25
1100 W202006	20	20	6.870	6	18	18	16	30
1100 W241606	24	16	6.870	6	22	14	16	29
1100 W242006	24	20	6.870	6	22	18	16	35
1100 W242406	24	24	6.870	6	22	22	14	49
1100 W302406	30	24	6.870	6	28	22	14	59
1100 W362406	36	24	6.870	6	34	22	14	70
1100 W363006	36	30	6.870	6	34	28	14	85
1100 W201208	20	12	8.870	8	18	10	16	22
1100 W201608	20	16	8.870	8	18	14	16	27
1100 W202008	20	20	8.870	8	18	18	16	32
1100 W242008	24	20	8.870	8	22	18	16	38
1100 W242408	24	24	8.870	8	22	22	14	53
1100 W302008	30	20	8.870	8	28	18	14	55
1100 W302408	30	24	8.870	8	28	22	14	64
1100 W303008	30	30	8.870	8	28	28	14	77
1100 W362408	36	24	8.870	8	34	22	14	75
1100 W363008	36	30	8.870	8	34	28	14	90
1100 W202010	20	20	10.870	10	18	18	16	35
1100 W242010	24	20	10.870	10	22	18	16	41
1100 W302410	30	24	10.870	10	28	22	14	69
1100 W242412	24	24	12.870	12	22	22	14	61
1100 W302412	30	24	12.870	12	28	22	14	73
1100 W363012	36	30	12.870	12	34	28	14	102



Note : Inner panel is optional

Data subject to change without notice.



p.444
<http://www.exmweb.com>

p.444

p.443

p.452
1-800-363-2423

p.468

p.478
Fax : 450-979-4626

p.472



info@exmweb.com

Large utility enclosures

The 1100 CIP are used where the control installation does not demand a high degree of protection (such as watertight or dust tight), but where a quality enclosure is warranted. Boxes and covers are made from quality 14 GA steel. The opening has a curled lip around all sides to prevent dripping water from entering the enclosure when the door is open, it also increases rigidity. The captive pins of the concealed hinges can be pulled to

remove the door. Enclosures are closed with a 1/4 turn lock that ensures tight positive closing against cushions. Four internal mounting holes are provided. Optional external mounting is available (885 ESMF).

Optional inner panels are available (881SP, 882SP or 881SP..P) which are mounted on M8 welded studs. Inner panels need to be ordered separately.

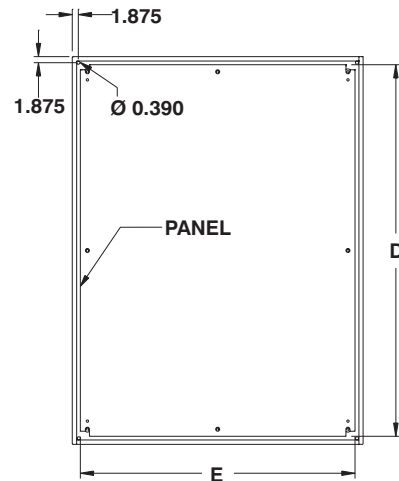
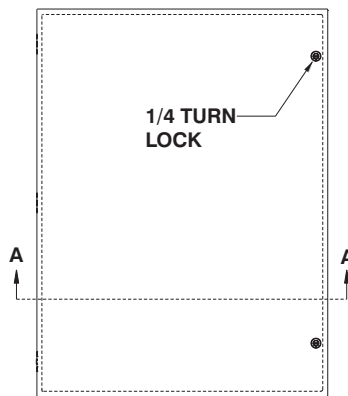
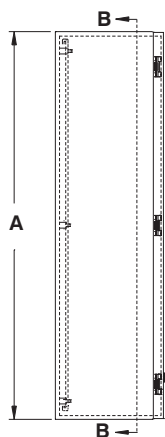
Enclosures and panels are finished

with heat fused powder paint, electrostatically applied on a pretreated base.

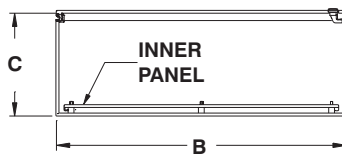
The box is ANSI/ASA 61 textured gray, the panel is white (other colors available).

**CSA Certified / UL Listed
NEMA/EEMAC 1 / IP30**

Refer to p.727 to validate choice of substrate for the application



SECTION B-B



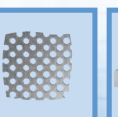
SECTION A-A



CATALOG NUMBER	DIMENSIONS					SHIP WGHT LBS.
	A	B	C	D	E	
1100 CIP423008	42	30	8	40	28	104
1100 CIP423608	42	36	8	40	34	121
1100 CIP483608	48	36	8	46	34	137
1100 CIP423010	42	30	10	40	28	110
1100 CIP423610	42	36	10	40	34	128
1100 CIP483610	48	36	10	46	34	144
1100 CIP423012	42	30	12	40	28	116
1100 CIP423612	42	36	12	40	34	135
1100 CIP483612	48	36	12	46	34	151
1100 CIP423016	42	30	16	40	28	128
1100 CIP423616	42	36	16	40	34	148
1100 CIP483616	48	36	16	46	34	165

Data subject to change without notice.

Note : inner panel is optional



Small Utility Enclosures

The 5100 ESCH are used where the control installation does not demand a high degree of protection (such as water tight or dust tight) but where a quality enclosure is warranted.

Boxes and covers are made from 16 GA steel with all seams continuously welded. The opening has a curled lip around all sides to prevent dripping water from entering the box when the door is open, it also increases rigidity. The enclo-

sures feature die cast hinges, which are bound to the cover by an exclusive concealed hinge pin system. The covers are interchangeable and can be removed by unfastening the anti-vibration lock nuts. EXM's exclusive flange-mounted ¼ turn locking system ensures positive closing.

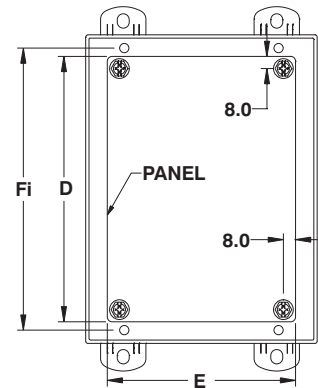
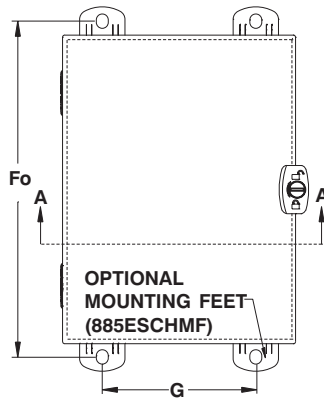
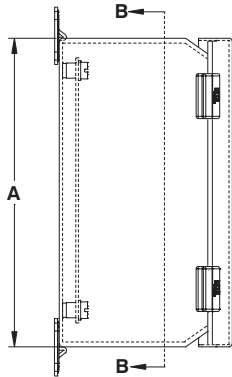
Each enclosure comes complete with a 14 GA inner panel which mounts on weld nuts. Four internal wall-mounting holes are provided.

Optional external mounting is available (885 ESCHMF).

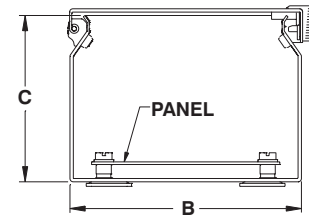
Enclosures and panels are finished with heat fused powder paint, electrostatically applied on a pretreated base. Box is ANSI/ASA 61 gray, panel is white (other colors available).

**CSA Certified / UL Listed
NEMA/EEMAC 1 / IP30**

Refer to p.727 to validate choice of substrate for the application



SECTION B-B



SECTION A-A



CATALOG NUMBER	DIMENSIONS								SHIP WGHT LBS.
	A	B	C	D	E	Fo	Fi	G	
5100 ESCH060604	6	6	4	4.88	4.88	6.75	5.312	4	5
5100 ESCH080604	8	6	4	6.88	4.88	8.75	7.312	4	6
5100 ESCH080804	8	8	4	6.88	6.88	8.75	7.312	6	8
5100 ESCH100804	10	8	4	8.88	6.88	10.75	9.312	6	10
5100 ESCH101004	10	10	4	8.88	8.88	10.75	9.312	8	10
5100 ESCH120604	12	6	4	10.88	4.88	12.75	11.312	4	8
5100 ESCH121004	12	10	4	10.88	8.88	12.75	11.312	8	12
5100 ESCH121204	12	12	4	10.88	10.88	12.75	11.312	10	15
5100 ESCH151204	15	12	4	13.88	10.88	15.75	14.312	10	17
5100 ESCH060605	6	6	5	4.88	4.88	6.75	5.312	4	6
5100 ESCH080605	8	6	5	6.88	4.88	8.75	7.312	4	7
5100 ESCH101005	10	10	5	8.88	8.88	10.75	9.312	8	14
5100 ESCH121005	12	10	5	10.88	8.88	12.75	11.312	8	16
5100 ESCH121205	12	12	5	10.88	10.88	12.75	11.312	10	18
5100 ESCH060606	6	6	6	4.88	4.88	6.75	5.312	4	6
5100 ESCH080606	8	6	6	6.88	4.88	8.75	7.312	4	7
5100 ESCH100806	10	8	6	8.88	6.88	10.75	9.312	6	12
5100 ESCH101006	10	10	6	8.88	8.88	10.75	9.312	8	14
5100 ESCH121006	12	10	6	10.88	8.88	12.75	11.312	8	16
5100 ESCH121206	12	12	6	10.88	10.88	12.75	11.312	10	18
5100 ESCH140806	14	8	6	12.88	6.88	14.75	13.312	6	10
5100 ESCH141206	14	12	6	12.88	10.88	14.75	13.312	10	19
5100 ESCH151206	15	12	6	13.88	10.88	15.75	14.312	10	20
5100 ESCH161006	16	10	6	14.88	8.88	16.75	15.312	8	19
5100 ESCH161206	16	12	6	14.88	10.88	16.75	15.312	10	21
5100 ESCH161406	16	14	6	14.88	12.88	16.75	15.312	12	23
5100 ESCH121008	12	10	8	10.88	8.88	12.75	11.312	8	16
5100 ESCH141208	14	12	8	12.88	10.88	14.75	13.312	10	20
5100 ESCH161208	16	12	8	14.88	10.88	16.75	15.312	10	25
5100 ESCH161408	16	14	8	14.88	12.88	16.75	15.312	12	26
5100 ESCH161410	16	14	10	14.88	12.88	16.75	15.312	12	27

Data subject to change without notice.

Customize with



Large utility enclosures

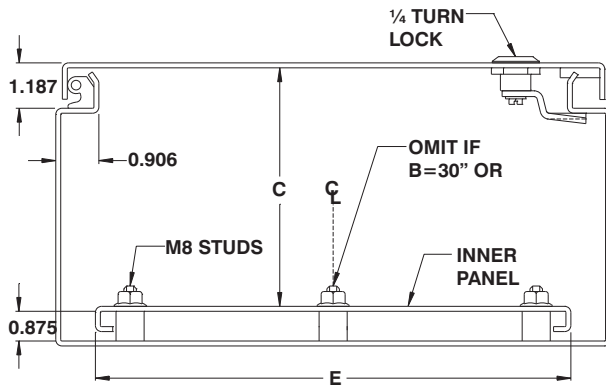
The 5100 ES are used where the control installation does not demand a high degree of protection (such as watertight or dust tight), but where a quality enclosure is warranted. The 5100 ES are made from quality 14 GA or 16 GA steel, with corner seems continuously welded. The opening has a curled lip around all sides to prevent dripping water from entering the enclosure when the door is open, it also increases rigidity.

These enclosures feature die cast hinges, which are bound to the cover by an exclusive one piece concealed hinge. the cover can be removed by unfastening the anti-vibration lock screws. A ¼ turn locking mechanism ensures positive closing. Internal mounting holes are provided. **Each enclosure comes complete with a 12 GA inner panel** which is double bent* for maximum rigidity and which mounts on M8 welded studs.

Enclosures and panels are finished with heat fused powder paint, electrostatically applied on a pretreated base. Box is ANSI/ASA 61 gray, panel is white (other colors available).

**CSA Certified / UL Listed
NEMA/EEMAC 1 / IP30**

Refer to p.727 to validate choice of substrate for the application



CATALOG NUMBER	DIMENSIONS					SHIP WGHT LBS.
	A	B	C	D	E	
5100 ES121206	12	12	6	10	10	19
5100 ES122406	12	24	6	10	22	35
5100 ES161206	16	12	6	14	10	24
5100 ES161606	16	16	6	14	14	31
5100 ES162006	16	20	6	14	18	37
5100 ES201206	20	12	6	18	10	29
5100 ES201606	20	16	6	18	14	37
5100 ES202006	20	20	6	18	18	45
5100 ES202406	20	24	6	18	22	53
5100 ES241206	24	12	6	22	10	35
5100 ES241606	24	16	6	22	14	44
5100 ES242006	24	20	6	22	18	53
5100 ES242406	24	24	6	22	22	62
5100 ES301606	30	16	6	28	14	53
5100 ES302006	30	20	6	28	18	65
5100 ES302406	30	24	6	28	22	76
5100 ES362406	36	24	6	34	22	90
5100 ES363006	36	30	6	34	28	109
5100 ES122408	12	24	8	10	22	38
5100 ES161208	16	12	8	14	10	27
5100 ES161608	16	16	8	14	14	34
5100 ES162008	16	20	8	14	18	41
5100 ES201208	20	12	8	18	10	33
5100 ES201608	20	16	8	18	14	41
5100 ES202008	20	20	8	18	18	49
5100 ES202408	20	24	8	18	22	57
5100 ES241208	24	12	8	22	10	38
5100 ES241608	24	16	8	22	14	48
5100 ES242008	24	20	8	22	18	57
5100 ES242408	24	24	8	22	22	67
5100 ES243008	24	30	8	22	28	81
5100 ES301208	30	12	8	28	10	46
5100 ES301608	30	16	8	28	14	58
5100 ES302008	30	20	8	28	18	70
5100 ES302408	30	24	8	28	22	81
5100 ES303008	30	30	8	28	28	98
5100 ES303608	30	36	8	28	34	116
5100 ES362408	36	24	8	34	22	95
5100 ES363008	36	30	8	34	28	116
5100 ES363608	36	36	8	34	34	136
5100 ES422408	42	24	8	40	22	110
5100 ES423008	42	30	8	40	28	133
5100 ES423608	42	36	8	40	34	156
5100 ES482408	48	24	8	46	22	124
5100 ES483008	48	30	8	46	28	150
5100 ES483608	48	36	8	46	34	177
5100 ES603608	60	36	8	58	34	218

Data subject to change without notice.

