

## Type DF junction boxes

The 1100 DF boxes are used as junction or pull boxes and are suitable for surface mounting with the standard screw cover or for flush mounting using either of the two optional covers (1100 HCF or 1100 FCD on page 212). Boxes and covers are made from 16 GA or 14 GA steel. Four internal mounting holes,

bonding screws and attachments are provided. All four sides have concentric knockouts, except as noted.

Also available without knockouts (add suffix "N" to the catalog number).

Enclosures are finished with ANSI/ASA 61 gray heat fused powder

paint, electrostatically applied on a pretreated base. (other colors available).

**CSA Certified**

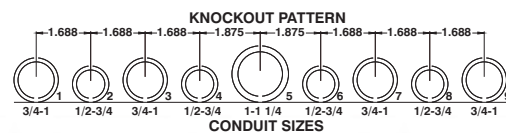
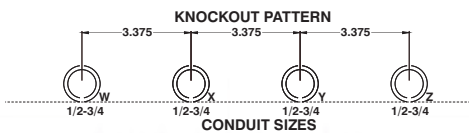
**UL Listed where noted \*  
NEMA/EEMAC 1 / IP30**

**Refer to p.727 to validate choice of substrate for the application**

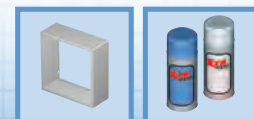
Customize with

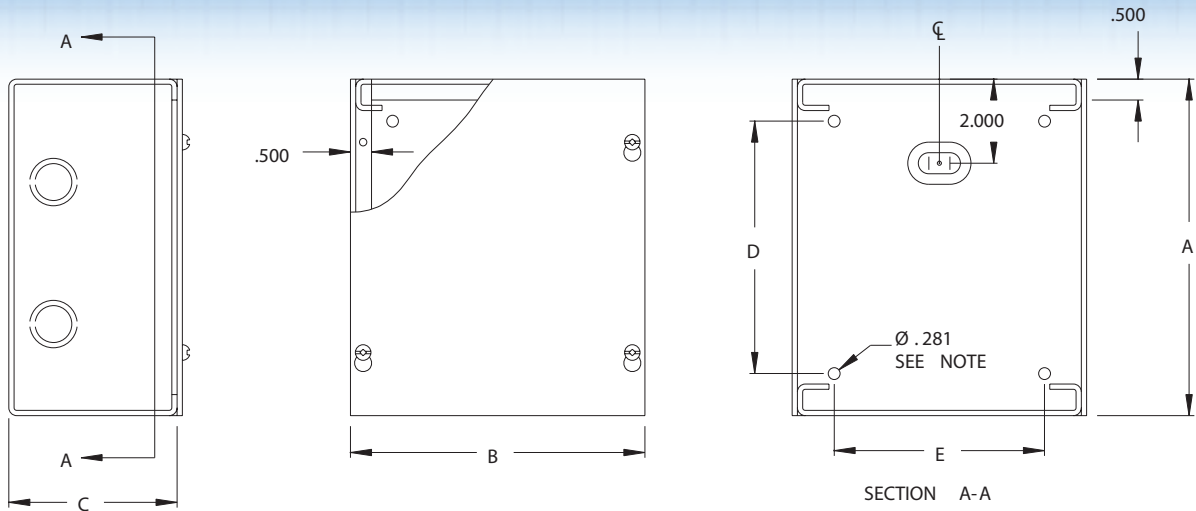


| CATALOG NUMBER  | DIMENSIONS |    |   |    |    | KNOCKOUTS     |               | SHIP WGT LBS. |
|-----------------|------------|----|---|----|----|---------------|---------------|---------------|
|                 | A          | B  | C | D  | E  | FACE A        | FACE B        |               |
| *1100 DF060603  | 6          | 6  | 3 | 4  | 4  | 2-3-4         | 2-3-4         | 2             |
| *1100 DF040404  | 4          | 4  | 4 | 2  | 2  | W             | W             | 1             |
| *1100 DF060404  | 6          | 4  | 4 | 4  | 2  | W-X           | W             | 2             |
| *1100 DF060604† | 6          | 6  | 4 | 4  | 4  | 2-3-4         | 2-3-4         | 3             |
| *1100 DF080604  | 8          | 6  | 4 | 6  | 4  | W-X           | W-X           | 3             |
| *1100 DF080804† | 8          | 8  | 4 | 6  | 6  | 6-7-8-9       | 6-7-8-9       | 4             |
| *1100 DF100804  | 10         | 8  | 4 | 8  | 6  | W-X           | W-X           | 5             |
| *1100 DF101004† | 10         | 10 | 4 | 8  | 8  | 3-4-5-6-7     | 3-4-5-6-7     | 6             |
| *1100 DF120604  | 12         | 6  | 4 | 10 | 4  | W-X-Y         | W-X           | 5             |
| *1100 DF120804  | 12         | 8  | 4 | 10 | 6  | W-X-Y         | W-X           | 6             |
| *1100 DF121004  | 12         | 10 | 4 | 10 | 8  | W-X-Y         | W-X           | 7             |
| *1100 DF121204† | 12         | 12 | 4 | 10 | 10 | 3-4-5-6-7     | 3-4-5-6-7     | 8             |
| *1100 DF151204  | 15         | 12 | 4 | 13 | 10 | W-X-Y-Z       | W-X-Y         | 10            |
| *1100 DF151504  | 15         | 15 | 4 | 13 | 13 | W-X-Y-Z       | W-X-Y-Z       | 13            |
| *1100 DF161604  | 16         | 16 | 4 | 14 | 14 | W-X-Y-Z       | W-X-Y-Z       | 13            |
| *1100 DF181204  | 18         | 12 | 4 | 16 | 10 | W-X-Y-Z       | W-X-Y-Z       | 11            |
| *1100 DF181504  | 18         | 15 | 4 | 16 | 13 | W-X-Y-Z       | W-X-Y-Z       | 14            |
| *1100 DF181804  | 18         | 18 | 4 | 16 | 16 | W-X-Y-Z       | W-X-Y-Z       | 16            |
| *1100 DF242404  | 24         | 24 | 4 | 22 | 22 | W-X-Y-Z       | W-X-Y-Z       | 31            |
| *1100 DF060606  | 6          | 6  | 6 | 4  | 4  | W-X           | W-X           | 3             |
| *1100 DF080606  | 8          | 6  | 6 | 6  | 4  | W-X           | W-X           | 5             |
| *1100 DF080806  | 8          | 8  | 6 | 6  | 6  | 6-7-8-9       | 6-7-8-9       | 5             |
| *1100 DF100606  | 10         | 6  | 6 | 8  | 4  | W-X           | W-X           | 5             |
| *1100 DF100806  | 10         | 8  | 6 | 8  | 6  | W-X           | W-X           | 6             |
| *1100 DF101006  | 10         | 10 | 6 | 8  | 8  | 3-4-5-6-7     | 6-7-8-9       | 7             |
| *1100 DF120606  | 12         | 6  | 6 | 10 | 4  | W-X-Y         | W-X           | 6             |
| *1100 DF120806  | 12         | 8  | 6 | 10 | 6  | W-X-Y         | W-X           | 7             |
| *1100 DF121006  | 12         | 10 | 6 | 10 | 8  | W-X-Y         | W-X           | 9             |
| *1100 DF121206† | 12         | 12 | 6 | 10 | 10 | 3-4-5-6-7     | 3-4-5-6-7     | 10            |
| *1100 DF151206  | 15         | 12 | 6 | 13 | 10 | W-X-Y-Z       | W-X-Y         | 11            |
| *1100 DF151506  | 15         | 15 | 6 | 13 | 13 | W-X-Y-Z       | W-X-Y-Z       | 13            |
| *1100 DF161606† | 16         | 16 | 6 | 14 | 14 | 2-3-4-5-6-7-8 | 2-3-4-5-6-7-8 | 14            |
| *1100 DF181206  | 18         | 12 | 6 | 16 | 10 | W-X-Y-Z       | W-X-Y         | 13            |
| *1100 DF181506  | 18         | 15 | 6 | 16 | 13 | W-X-Y-Z       | W-X-Y-Z       | 15            |
| *1100 DF181806  | 18         | 18 | 6 | 16 | 16 | W-X-Y-Z       | W-X-Y-Z       | 17            |
| *1100 DF241806  | 24         | 18 | 6 | 22 | 16 | W-X-Y-Z       | W-X-Y-Z       | 27            |
| *1100 DF242406  | 24         | 24 | 6 | 22 | 22 | W-X-Y-Z       | W-X-Y-Z       | 34            |
| *1100 DF101008  | 10         | 10 | 8 | 8  | 8  | W-X           | W-X           | 9             |
| *1100 DF121208  | 12         | 12 | 8 | 10 | 10 | W-X-Y         | W-X-Y         | 12            |
| *1100 DF151208  | 15         | 12 | 8 | 13 | 10 | W-X-Y-Z       | W-X-Y         | 13            |
| *1100 DF161608  | 16         | 16 | 8 | 14 | 14 | W-X-Y-Z       | W-X-Y-Z       | 14            |
| *1100 DF180808  | 18         | 8  | 8 | 16 | 6  | W-X-Y-Z       | W-X           | 17            |
| *1100 DF181808  | 18         | 18 | 8 | 16 | 16 | W-X-Y-Z       | W-X-Y-Z       | 21            |
| *1100 DF241208  | 24         | 12 | 8 | 22 | 10 | W-X-Y-Z       | W-X-Y         | 20            |
| *1100 DF242408  | 24         | 24 | 8 | 22 | 22 | W-X-Y-Z       | W-X-Y-Z       | 38            |



Data subject to change without notice.





NOTE: -2 MTG. HOLE IF B=4.000 "

| CATALOG NUMBER  | DIMENSIONS |    |   |    |    | SHIP WGT LBS. | CATALOG NUMBER  | DIMENSIONS |    |    |    |    | SHIP WGT LBS. |
|-----------------|------------|----|---|----|----|---------------|-----------------|------------|----|----|----|----|---------------|
|                 | A          | B  | C | D  | E  |               |                 | A          | B  | C  | D  | E  |               |
| *1100 DF040404N | 4          | 4  | 4 | 2  | -  | 1             | *1100 DF101008N | 10         | 10 | 8  | 8  | 8  | 10            |
| *1100 DF060404N | 6          | 4  | 4 | 4  | -  | 2             | *1100 DF121208N | 12         | 12 | 8  | 10 | 10 | 12            |
| *1100 DF060603N | 6          | 6  | 3 | 4  | 4  | 2             | *1100 DF151208N | 15         | 12 | 8  | 13 | 10 | 13            |
| *1100 DF060604N | 6          | 6  | 4 | 4  | 4  | 3             | *1100 DF151508N | 15         | 15 | 8  | 13 | 13 | 14            |
| *1100 DF080604N | 8          | 6  | 4 | 6  | 4  | 3             | *1100 DF161608N | 16         | 16 | 8  | 14 | 14 | 15            |
| *1100 DF080804N | 8          | 8  | 4 | 6  | 6  | 4             | *1100 DF181808N | 18         | 18 | 8  | 16 | 16 | 20            |
| *1100 DF100804N | 10         | 8  | 4 | 8  | 6  | 5             | 1100 DF241208N  | 24         | 12 | 8  | 22 | 10 | 20            |
| *1100 DF101004N | 10         | 10 | 4 | 8  | 8  | 6             | 1100 DF241808N  | 24         | 18 | 8  | 22 | 16 | 28            |
| *1100 DF120604N | 12         | 6  | 4 | 10 | 4  | 5             | *1100 DF242408N | 24         | 24 | 8  | 22 | 22 | 38            |
| *1100 DF120804N | 12         | 8  | 4 | 10 | 6  | 6             | 1100 DF303008N  | 30         | 30 | 8  | 28 | 28 | 48            |
| *1100 DF121004N | 12         | 10 | 4 | 10 | 8  | 7             | *1100 DF362408N | 36         | 24 | 8  | 34 | 22 | 55            |
| *1100 DF121204N | 12         | 12 | 4 | 10 | 10 | 8             | 1100 DF363008N  | 36         | 30 | 8  | 34 | 28 | 56            |
| *1100 DF151204N | 15         | 12 | 4 | 13 | 10 | 10            | 1100 DF363608N  | 36         | 36 | 8  | 34 | 34 | 65            |
| *1100 DF151504N | 15         | 15 | 4 | 13 | 13 | 12            | *1100 DF121210N | 12         | 12 | 10 | 10 | 10 | 18            |
| *1100 DF161604N | 16         | 16 | 4 | 14 | 14 | 13            | *1100 DF151510N | 15         | 15 | 10 | 13 | 13 | 22            |
| *1100 DF181204N | 18         | 12 | 4 | 16 | 10 | 11            | *1100 DF181810N | 18         | 18 | 10 | 16 | 16 | 28            |
| *1100 DF181504N | 18         | 15 | 4 | 16 | 13 | 14            | *1100 DF202010N | 20         | 20 | 10 | 18 | 18 | 32            |
| *1100 DF181804N | 18         | 18 | 4 | 16 | 16 | 16            | *1100 DF241810N | 24         | 18 | 10 | 22 | 16 | 36            |
| *1100 DF060606N | 6          | 6  | 6 | 4  | 4  | 3             | *1100 DF242410N | 24         | 24 | 10 | 22 | 22 | 41            |
| *1100 DF080606N | 8          | 6  | 6 | 6  | 4  | 5             | *1100 DF302010N | 30         | 20 | 10 | 28 | 18 | 44            |
| *1100 DF080806N | 8          | 8  | 6 | 6  | 6  | 5             | 1100 DF302410N  | 30         | 24 | 10 | 28 | 22 | 50            |
| *1100 DF100606N | 10         | 6  | 6 | 8  | 4  | 5             | 1100 DF303010N  | 30         | 30 | 10 | 28 | 28 | 60            |
| *1100 DF100806N | 10         | 8  | 6 | 8  | 6  | 6             | *1100 DF362410N | 36         | 24 | 10 | 34 | 22 | 59            |
| *1100 DF101006N | 10         | 10 | 6 | 8  | 8  | 7             | 1100 DF363010N  | 36         | 30 | 10 | 34 | 28 | 61            |
| *1100 DF120606N | 12         | 6  | 6 | 10 | 4  | 6             | 1100 DF363610N  | 36         | 36 | 10 | 34 | 34 | 70            |
| *1100 DF120806N | 12         | 8  | 6 | 10 | 6  | 7             | *1100 DF121212N | 12         | 12 | 12 | 10 | 10 | 20            |
| *1100 DF121006N | 12         | 10 | 6 | 10 | 8  | 9             | 1100 DF151512N  | 15         | 15 | 12 | 13 | 13 | 24            |
| *1100 DF121206N | 12         | 12 | 6 | 10 | 10 | 10            | *1100 DF181212N | 18         | 12 | 12 | 16 | 10 | 23            |
| *1100 DF151206N | 15         | 12 | 6 | 13 | 10 | 11            | *1100 DF181812N | 18         | 18 | 12 | 16 | 16 | 26            |
| *1100 DF151506N | 15         | 15 | 6 | 13 | 13 | 13            | *1100 DF242412N | 24         | 24 | 12 | 22 | 22 | 49            |
| *1100 DF161606N | 16         | 16 | 6 | 14 | 14 | 14            | *1100 DF301812N | 30         | 18 | 12 | 28 | 16 | 45            |
| *1100 DF181206N | 18         | 12 | 6 | 16 | 10 | 13            | *1100 DF302412N | 30         | 24 | 12 | 28 | 22 | 51            |
| *1100 DF181506N | 18         | 15 | 6 | 16 | 13 | 15            | 1100 DF303012N  | 30         | 30 | 12 | 28 | 28 | 54            |
| *1100 DF181806N | 18         | 18 | 6 | 16 | 16 | 17            | *1100 DF362412N | 36         | 24 | 12 | 34 | 22 | 57            |
| *1100 DF241806N | 24         | 18 | 6 | 22 | 16 | 27            | 1100 DF363012N  | 36         | 30 | 12 | 34 | 28 | 65            |
| *1100 DF242406N | 24         | 24 | 6 | 22 | 22 | 34            | 1100 DF363612N  | 36         | 36 | 12 | 34 | 34 | 70            |
| *1100 DF302406N | 30         | 24 | 6 | 28 | 22 | 42            | 1100 DF484812N  | 48         | 48 | 12 | 46 | 46 | 118           |
| *1100 DF362406N | 36         | 24 | 6 | 34 | 22 | 48            | 1100 DF363618N  | 36         | 36 | 18 | 34 | 34 | 112           |
| 1100 DF363606N  | 36         | 36 | 6 | 34 | 34 | 60            |                 |            |    |    |    |    |               |

Data subject to change without notice.

