

FEATURES & SPECIFICATIONS

INTENDED USE — Ideal where high brightness and good illumination levels are required such as retail, light industrial and warehouses.

Attributes: Available in one lamp or two lamp configuration.

CONSTRUCTION — Heavy-duty channel, die-formed from code-gauge steel.

Sturdy channel cover secured by captive quarter-turn latch for easy access to wireway.

Combination endplate/channel connector furnished with each fixture.

Finish: Five-stage iron phosphate pretreatment ensures superior paint adhesion and rust resistance. Painted parts finished with high-gloss, baked white enamel.

ELECTRICAL — Thermally protected, resetting, Class P, UL Listed and CSA Certified ballast is standard. Sound rating depends on lamp/ballast combination.

AWM, TFN, THHN wire throughout, rated for required temperatures.

INSTALLATION — For unit or row installations, surface or suspended mounting.

LISTINGS — UL listed to US and Canadian safety standards. Optional: Mexico NOM.

Damp location listed.

Listed for 25 degree C ambient temperature.

WARRANTY — 1-year limited warranty. Complete warranty terms located at www.acuitybrands.com/CustomerResources/Terms_and_conditions.aspx.

Note: Specifications subject to change without notice.

Actual performance may differ as a result of end-user environment and application.

Catalog Number
Notes
Type

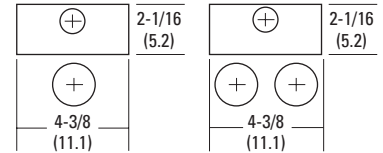


General-Purpose Strip

2', 3', 4', 6' and 8' length
1 or 2 lamps

Specifications

Length:	24" (61.0)
	36" (91.4)
	48" (121.9)
	72" (182.9)
	96" (243.8)
Width:	4-3/8" (11.1)
Fixture Depth:	2-1/16" (5.2)



All dimensions are inches (centimeters) unless otherwise specified.

ORDERING INFORMATION

Lead times will vary depending on options selected. Consult with your sales representative.

Example: C 2 32 MVOLT GEB10IS

Series	Number of lamps	Lamp type	Voltage																		
C General-purpose strip	1	T8	MVOLT ²																		
For tandem double length unit, add prefix T. Example: TC	2 lamp not included	<table border="0"> <tr> <td>T12 Slimline</td> <td>HO</td> </tr> <tr> <td>17 17W T8 (24")</td> <td>24HO 35W T12 800mA (24")¹</td> </tr> <tr> <td>25 25W T8 (36")</td> <td>36HO 45W T12 800mA (36")¹</td> </tr> <tr> <td>32 32W T8 (48")</td> <td>48HO 60W 800mA (48")</td> </tr> <tr> <td>48T8 38W T8 (48")</td> <td>48T8HO 44W T8 (48")</td> </tr> <tr> <td>96T8 59W T8 slimline (96")</td> <td>72HO 85W 800mA (72")</td> </tr> <tr> <td></td> <td>72T8HO 65W T8 (72")</td> </tr> <tr> <td></td> <td>96HO 110W 800mA (96")</td> </tr> <tr> <td></td> <td>96T8HO 86W 380mA (96")</td> </tr> </table>	T12 Slimline	HO	17 17W T8 (24")	24HO 35W T12 800mA (24") ¹	25 25W T8 (36")	36HO 45W T12 800mA (36") ¹	32 32W T8 (48")	48HO 60W 800mA (48")	48T8 38W T8 (48")	48T8HO 44W T8 (48")	96T8 59W T8 slimline (96")	72HO 85W 800mA (72")		72T8HO 65W T8 (72")		96HO 110W 800mA (96")		96T8HO 86W 380mA (96")	120 277 347 Others available
T12 Slimline	HO																				
17 17W T8 (24")	24HO 35W T12 800mA (24") ¹																				
25 25W T8 (36")	36HO 45W T12 800mA (36") ¹																				
32 32W T8 (48")	48HO 60W 800mA (48")																				
48T8 38W T8 (48")	48T8HO 44W T8 (48")																				
96T8 59W T8 slimline (96")	72HO 85W 800mA (72")																				
	72T8HO 65W T8 (72")																				
	96HO 110W 800mA (96")																				
	96T8HO 86W 380mA (96")																				

Options	
GEB Electronic ballasts, ≤20%THD ⁴	EL Emergency battery pack (nominal 300 lumens) ⁶
GEB10IS Electronic ballasts, ≤10%THD, instant start ²	GLR Internal fast-blow fuse (add X for external) ⁶
GEB10RS Electronic ballast, ≤10%THD, rapid start ³	GMF Internal slow-blow fuse (add X for external) ⁶
GEB10PS Electronic ballast, ≤10%THD, programmed start	PLR_ Plug-in wiring; specify 1, 2, or 3 branch circuits and hot wires (A = Black, B = Red, C = Blue, AB or AC)
BILP High-efficiency ballast, .78bf (low), instant start	TILW Tandem in-line wiring
BINP T8 high-performance ballast, .88bf (normal), instant start	CSA CSA Certified (only required for 347V)
BIHP T8 high-performance ballast, 1.20bf (high), instant start	NOM NOM Certified
1/4 One four-lamp ballast ⁵	AL Aluminum housing; white enamel finish

Accessories: Order as separate catalog number.			
SQ_ Swivel stem hanger (specify length in 2" increments)	HRC1° Hooker T-bar hanger (1-1/2" from ceiling)	WGCASR48 Wireguard, 4' white for symmetric reflector ⁷	
1B Ceiling spacer (adjusts from 1-1/2" to 2-1/2" from ceiling)	WGCSMR48 Wireguard, 4' white for asymmetric reflector ⁷	CSMR 48 Symmetric reflector, 4' white, 7" aperture ⁷	
CONLGC 12" screw-on channel connector	CASR 48 Asymmetric reflector, 4' white, 5-3/4" wide ⁷		
WGCUN NST Wireguard, 4' white ⁷			
HC36 Chain hangers (1 pair, 36" long)			
HRC° Hooker T-bar hanger (flush to ceiling)			

Notes

1. Only available with AL option.
2. MVOLT standard for 120-277V applications, 50-60 mhz operation. Some options require voltage specified.
3. 347V, slimline lamps only.
4. Slimline and HO lamps only.
5. Not available in slimline.
6. Specify voltage.
7. Order two for 8' fixtures.

C General-Purpose Strip

MOUNTING DATA

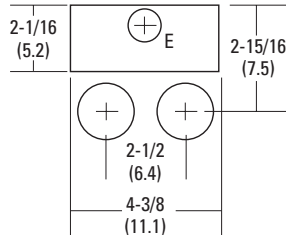
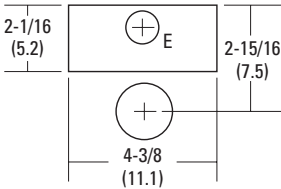
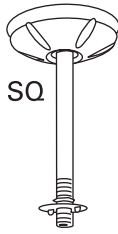
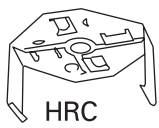
For unit or row installation, surface or suspended mounting.

Unit installation — Minimum of two hangers required.

Row installation — Two hangers per channel required one per fixture plus one per row of CONLGC installed.

Hooker® (HRC) and (HC) Hangers - minimum two per channel (unit and row).

See ACCESSORIES below for hanging devices.



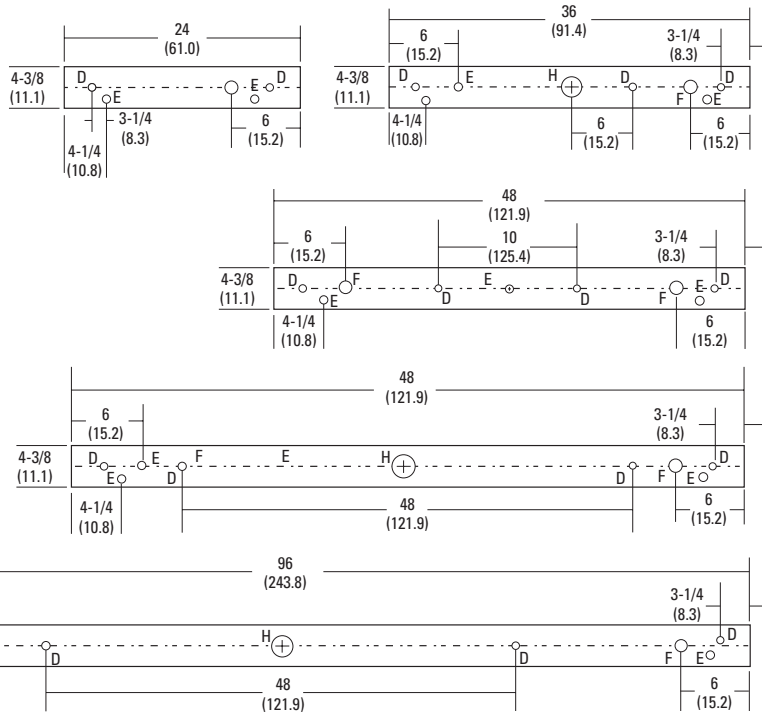
D = 11/16 (17) Dia.K.O.
E = 7/8 (22) Dia.K.O.
F = 1-1/4 (32) Dia.K.O.
H = 2 (51) Dia.K.O.

DIMENSIONS

All dimensions in inches (centimeters) unless otherwise specified. Subject to change without notice.

48", 72", and 96" have only two 7/8" K.O.'s 6" from each end.

24" and 36" have only two 7/8" K.O.'s 3-1/4" from each end.



PHOTOMETRICS

Calculated using the zonal cavity method in accordance with IESNA LM41 procedure. Floor reflectances are 20%. Lamp configurations shown are typical.

All data based on 25°C. Full photometric data on these and other configurations available upon request.

C 2 32

TEST NO: LTL 5181

LUMENS PER LAMP: 2900

C 2 96

TEST NO: LTL 18310

LUMENS PER LAMP: 6300

RCR	Coefficients of Utilization								
	20%			50%			80%		
	50%	30%	10%	50%	30%	10%	50%	30%	10%
0	106	106	106	102	102	102	93	93	93
1	89	84	79	85	80	76	78	74	71
2	76	68	62	72	66	60	66	61	56
3	65	57	50	62	55	49	57	51	45
4	57	48	42	55	47	40	50	43	38
5	51	42	35	48	40	34	44	37	32
6	45	36	30	43	35	29	40	33	28
7	41	32	26	39	31	25	36	29	24
8	37	29	23	35	28	22	33	26	21
9	34	26	20	32	25	20	30	23	19
10	31	23	18	30	23	18	28	21	17

RCR	Coefficients of Utilization								
	20%			50%			80%		
	50%	30%	10%	50%	30%	10%	50%	30%	10%
0	103	103	103	98	98	98	90	90	90
1	86	82	78	82	78	74	75	72	69
2	74	67	61	70	64	59	64	59	55
3	64	56	49	61	54	48	56	49	44
4	56	47	41	53	46	40	49	42	37
5	49	41	35	47	39	34	43	37	31
6	44	36	30	42	34	29	39	32	27
7	40	32	26	38	30	25	35	28	24
8	36	28	23	35	27	22	32	25	21
9	33	25	20	32	25	20	29	23	19
10	30	23	18	29	22	18	27	21	17

Zonal Lumen Summary		
Zone	Lumens % Lamp	% Fixture
0° - 30°	842.1	14.5
0° - 40°	1435.8	24.8
0° - 60°	2810.1	48.4
0° - 90°	4362.5	75.2
90° - 180°	1021.0	17.6
0° - 180°	5383.6	92.8

Zonal Lumen Summary		
Zone	Lumens % Lamp	% Fixture
0° - 30°	1785.8	14.2
0° - 40°	3042.4	24.1
0° - 60°	5944.0	47.2
0° - 90°	9027.5	71.6
90° - 180°	2341.8	18.6
0° - 180°	11369.4	90.2

Energy (Calculated in accordance with NEMA standard LE-5)					
LER.FL	ANNUAL ENERGY COST*	LAMP DESCRIPTION	LAMP LUMENS	BALLST FACTOR	WATTS
86.2	\$2.79	(2) T8 F32	2900	.88	55

*Comparative yearly lighting energy cost per 1000 lumens.

Energy (Calculated in accordance with NEMA standard LE-5)						
ORDERING INFORMATION	LER.FL	ANNUAL ENERGY COST*	LAMP DESCRIPTION	LAMP LUMENS	BALLAST FACTOR	WATTS
C 2 32 MVOLT GEB10IS	77.6	\$3.09	F32T8/735	2800	.88	59
C 2 32 MVOLT BILP	93.6	\$2.56	F32T8/835/HT8	3100	.78	48

*Comparative yearly lighting energy cost per 1000 lumens.