



## Perfect for Residential and Commercial Applications

### Homes and Multifamily Units with

- Floor to ceiling windows
- Great rooms
- Other open concept spaces

### Commercial Applications

- Cafe/restaurants
- Hotels
- Shopping malls
- Offices, meeting rooms
- And more...

## Flooring types:

- Tile
- Stone
- Wood
- Laminate
- Carpet
- Concrete
- Vinyl



## Features

- Contoured top plate for enhanced aesthetics
- Side latch open/close mechanism prevents scratching of wiring device face
- Low profile cover recesses when not in use, reducing above-floor height to only ¼ inch
- Assembled with genuine Leviton wiring devices
- Pre-wired terminal block for easy wiring access and installation
- IP 44 Rated: protection from ingress of water spray from any direction when closed
- Meets or exceeds UL 514A requirements including scrub water test
- Tamper-resistant to comply with the latest NEC® requirements for tamper-resistant receptacles in residences and childcare facilities
- Adjustable concrete rated electrical box included
- Available in: Brushed Nickel, Black, Brass, and Bronze finishes



## Specifications

Description	PFUS1 15A USB Charger TR Receptacle	PFUS2 20A USB Charger TR Receptacle	PFGF1 15A Self-Test TR GFCI	PFGF2 20A Self-Test TR GFCI	PFTR1 15A TR Receptacle	PFTR2 20A TR Receptacle	PFQP3 3-Port QuickPort
<b>Electrical Specifications</b>							
<b>Amperage</b>	15A	20A	15A	20A	15A	20A	Accepts all QuickPort connectors
<b>Voltage</b>	125V						
<b>NEMA</b>	5-15R	5-20R	5-15R	5-20R	5-15R	5-20R	
<b>Pole</b>	2						
<b>Wire</b>	3						
<b>Material Specifications</b>							
<b>Pop-up face</b>	Brass alloy						
<b>Device face</b>	Thermoplastic						
<b>Mounting screws</b>	Plated steel						
<b>Box material</b>	Coated steel						
<b>Mechanical Specifications</b>							
<b>Box size</b>	Standard 4"W x 4"L x 3"D						
<b>Termination accom.</b>	12-14 AWG						n/a
<b>Termination</b>	Terminal block						
<b>Standards &amp; Certifications</b>							
<b>Certification/Listing</b>	cETLus						
<b>Applicable Standards</b>	Conforms to UL STD 514A, Certified to CSA STD 22.2 No. 18.1, IP 44, NOM ANCE*						
<b>Warranty</b>							
<b>Product Warranty</b>	2-Year Limited						

\* excludes QuickPort model

## Available Configurations



USB Charger  
Tamper-Resistant Receptacles



Self-Test GFCI  
Tamper-Resistant Receptacles



Tamper-Resistant Receptacles



3-Port QuickPort

## Available Finishes



Brushed Nickel (-BN)



Black (-MB)



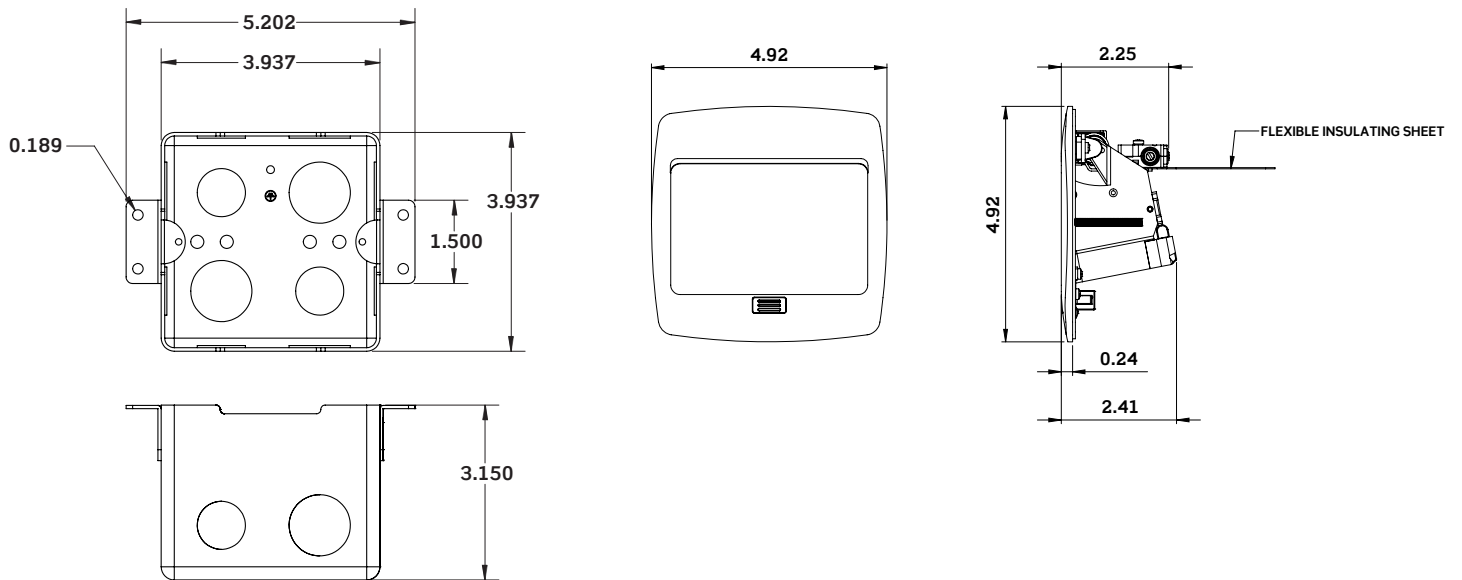
Brass (-BR)



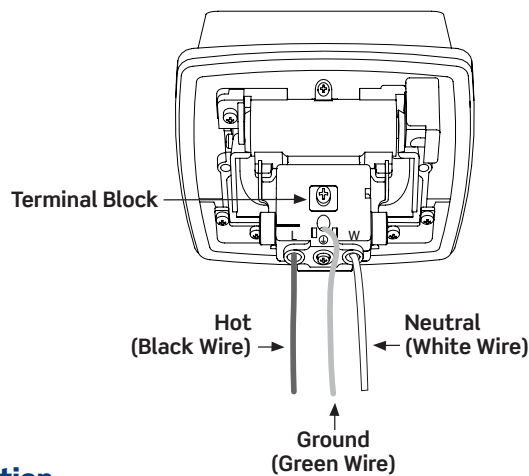
Bronze (-BZ)



## Dimensional Drawings



## Wiring Diagram



## Ordering Information

Cat. No.	Description	Rating	Color
PFUS1	Pop-Up Floor Box with 15A USB Charger Tamper-Resistant Receptacle	15A - 125V	BN, MB, BR, BZ
PFUS2	Pop-Up Floor Box with 20A USB Charger Tamper-Resistant Receptacle	20A - 125V	BN, MB, BR, BZ
PFGF1	Pop-Up Floor Box with 15A Self-Test GFCI Tamper-Resistant Receptacle	15A - 125V	BN, MB, BR, BZ
PFGF2	Pop-Up Floor Box with 20A Self-Test GFCI Tamper-Resistant Receptacle	20A - 125V	BN, MB, BR, BZ
PFTR1	Pop-Up Floor Box with 15A Tamper-Resistant Receptacle	15A - 125V	BN, MB, BR, BZ
PFTR2	Pop-Up Floor Box with 20A Tamper-Resistant Receptacle	20A - 125V	BN, MB, BR, BZ
PFQP3	Pop-Up Floor Box with 3-Port QuickPort	-	BN, MB, BR, BZ

To order colors, add suffix to Cat. No.: Brushed Nickel (-BN), Black (-MB), Brass (-BR), Bronze (-BZ)



### Leviton Manufacturing Co., Inc.

201 North Service Road, Melville, NY 11747-3138  
 Telephone: 1-800-323-8920 • FAX: 1-800-832-9538  
 Tech Line: 1-800-824-3005  
 Mon-Fri 8am-10pm EST, Saturday 9am-7pm EST

Visit our Website at: [www.leviton.com](http://www.leviton.com)

© 2019 Leviton Manufacturing Co., Inc. All rights reserved.

