

ODL High-End Baseboard Heater



Features

Color

- Standard: white, metallic charcoal.
- Optional (upcharge applicable): almond, metallic silver, bronze, aluminum, semi-gloss black, sand.
- Custom colors available upon request.

Finish

- Standard: epoxy/polyester powder paint.

Voltage

- 120V, 208V, 240/208V, 277V, 347V, 480V, 600V, 1-phase.

Construction

- Robust aluminum front cover.
- 20-gauge satin coat steel cabinet.
- Linear high-limit temperature control with automatic reset.
- High altitude version available (-HA).

Heating element

- Stainless steel tubular heating element with aluminum fins.
- Floating heating element on high-temperature nylon bushings reducing expansion noises.

Watt density

- Average standard watt density of 275W/ft.
- Average low watt density of 200W/ft.

Control

- Built-in thermostat available with a control knob or tamperproof.
- Mechanical or electronic relays available (installed on the right end only).
- Compartment for low voltage connections (located directly under the junction box) to facilitate the installation of low voltage relay.

Ouellet highly recommends the use of an electronic wall thermostat for greater comfort.

Installation

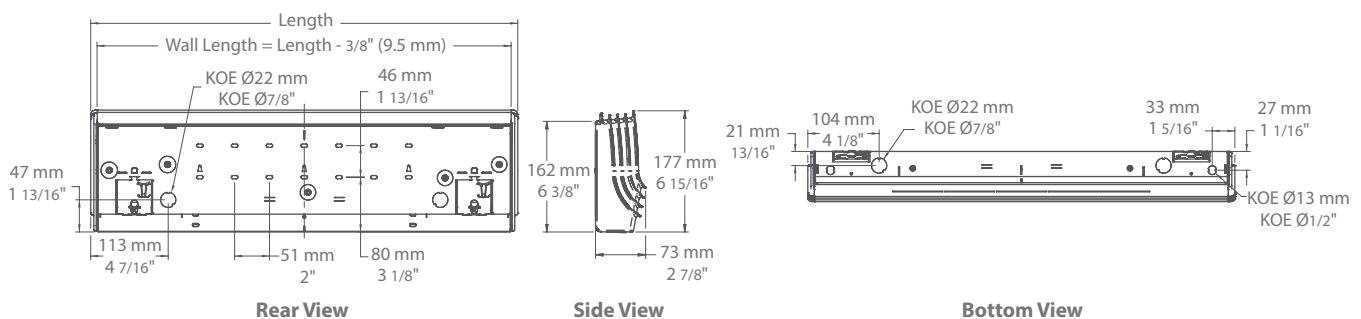
- Installation directly on the floor.
- Connection box at both ends.
- Single-screw built-in wire holder.
- Raceway for ease of installation.
- Two rows of mounting holes spaced at 2 in. (51 mm) intervals for ease of installation.

Warranty

- 5-year warranty against defects.
- Heating element has a lifetime warranty for the initial end user.

Application

- Dining room-kitchen, living room, family room, bedroom, bay window, office building, commercial building.



ODL

Average Standard Watt Density Models 275W/ft.

Watts	Watts		Product #				Length ¹		Weight	
	240/208V	120V	208V	240/208V	347V	600V	in.	mm	lb	kg
300	300/225	ODL0302	ODL0308	ODL0300	-	-	24 5/8	625	7.4	3.4
500	500/375	ODL0502	ODL0508	ODL0500	ODL0507	-	29 1/2	750	8.5	3.9
750	750/563	ODL0752	ODL0758	ODL0750	ODL0757	ODL0756	39 1/2	1004	10.7	4.9
1000	1000/750	ODL1002	ODL1008	ODL1000	ODL1007	ODL1006	49 13/16	1265	13.0	5.9
1250	1250/938	ODL1252	ODL1258	ODL1250	ODL1257	ODL1256	59 1/4	1506	15.1	6.9
1500	1500/1125	ODL1502	ODL1508	ODL1500	ODL1507	ODL1506	68	1727	17.0	7.7
1750	1750/1313	-	ODL1758	ODL1750	ODL1757	ODL1756	77 5/16	1964	19.1	8.7
2000	2000/1500	-	ODL2008	ODL2000	ODL2007	ODL2006	86 1/8	2187	21.0	9.6
2250	2250/1688	-	ODL2258	ODL2250	ODL2257	ODL2256	94 15/16	2412	23.0	10.5
2500	2500/1875	-	ODL2508	ODL2500	ODL2507	ODL2506	104 1/16	2644	25.0	11.4

Average Low Watt Density Models 200W/ft.

Watts	Watts		Price	Product #				Length ¹		Weight	
	240/208V	120V		208V	240/208V	Price	347V	600V	in.	mm	lb
300	300/225	ODL0302-750	-	ODL0308-750	ODL0300-750	-	-	29 1/2	750	8.5	3.9
500	500/375	ODL0502-1004	-	ODL0508-1004	ODL0500-1004	ODL0507-1004	-	39 1/2	1004	10.7	4.9
750	750/563	ODL0752-1265	-	ODL0758-1265	ODL0750-1265	ODL0757-1265	ODL0756-1265	49 13/16	1265	13.0	5.9
1000	1000/750	ODL1002-1506	-	ODL1008-1506	ODL1000-1506	ODL1007-1506	ODL1006-1506	59 1/4	1506	15.1	6.9
1250	1250/938	ODL1252-1727	-	ODL1258-1727	ODL1250-1727	ODL1257-1727	ODL1256-1727	68	1727	17.0	7.7
1500	1500/1125	ODL1502-2187	-	ODL1508-2187	ODL1500-2187	ODL1507-2187	ODL1506-2187	86 1/8	2187	21.0	9.6
1750	1750/1313	-	-	ODL1758-2412	ODL1750-2412	ODL1757-2412	ODL1756-2412	94 15/16	2412	23.0	10.5
2000	2000/1500	-	-	ODL2008-2644	ODL2000-2644	ODL2007-2644	ODL2006-2644	104 1/16	2644	23.0	10.5
2250	2250/1688	-	-	ODL2258-2644	ODL2250-2644	ODL2257-2644	ODL2256-2644	104 1/16	2644	23.0	10.5

Options

Product # Kit	Product # Factory installed*	Description
KIT-ODL-DIS20 ⁴	DIS20 ⁴	Disconnect switch, double-pole, 20A at 277V max.
-	HA	Linear high-limit temperature control for high altitude (3000 ft. at 8200 ft.)
KIT-ODL-R-347	R	Single-pole relay, coil 24V, without transformer: 22A at 120V, 208V, 240V - 18A at 347V
KIT-ODL-R-600	R	Single-pole relay, coil 24V, without transformer, 10A at 600V
KIT-ODL-RT-120	RT	Single-pole relay, coil 24V, with transformer 120V/24V, 22A at 120V
KIT-ODL-RT-208	RT	Single-pole relay, coil 24V, with transformer 208V/24V, 22A at 208V
KIT-ODL-RT-240	RT	Single-pole relay, coil 24V, with transformer 240V/24V, 22A at 240V
KIT-ODL-RT-277	RT	Single-pole relay, coil 24V, with transformer 277V/24V, 19A at 277V
KIT-ODL-RT-347	RT	Single-pole relay, coil 24V, with transformer 347V/24V, 18A at 347V
KIT-ODL-RT-600 ²	RT ²	Single-pole relay, coil 24V, with transformer 600V/24V, 10A at 600V (2-wire only)
KIT-ODL-TB6	TB6	Single-pole bi-metal thermostat: 25A at 120V, 208V, 240V, 277V - 10A at 347V, 480V, 600V
KIT-ODL-TB26 ³	TB26 ³	Double-pole bi-metal thermostat: 25A at 120V, 208V, 240V, 277V - 10A at 347V, 480V, 600V
KIT-ODL-TB6-AV	TB6AV	Single-pole bi-metal tamperproof thermostat: 25A at 120V, 208V, 240V, 277V - 10A at 347V, 480V, 600V
KIT-ODL-TB26-AV ³	TB26AV ³	Double-pole bi-metal tamperproof thermostat: 25A at 120V, 208V, 240V, 277V - 10A at 347V, 480V, 600V
KIT-ODL-TRIAC-347	TRIAC	Single-pole electronic relay, coil 24V, without transformer, 15A at 347V max.
KIT-ODL-TRIAC-347T	TRIACT	Single-pole electronic relay, coil 24V, with transformer: 15A at 208V, 240V, 277V, 347V
KIT-ODL-TRIAC-600	TRIAC	Single-pole electronic relay, coil 24V, without transformer, 6A at 600V max.

* For factory installed options, add the option number to the product number. See the **Product Code** section inside the front cover.

¹ Wall length = Length - 3/8" (9.5 mm).

² These 2-wire relays with transformer can't supply of 3-wire low voltage thermostats.

³ "Off" position.

⁴ For the U.S. only: The nominal current of the unit must not exceed 80% of the capacity of the disconnect.

Add "BL" for white, "CM" for metallic charcoal. Upcharge available for optional colors shown in the color chart section.

Other voltages available upon request.