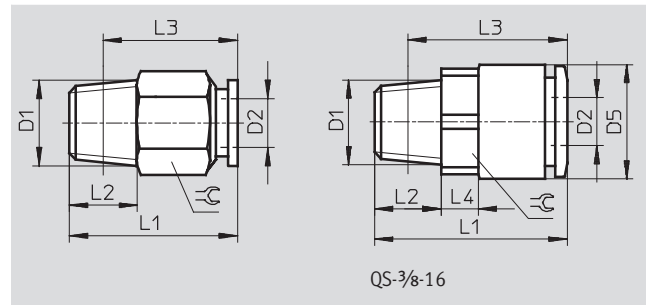


Push-in fittings QS, Quick Star

Technical data

Push-in fitting QS
Male thread
with external hex



Dimensions and ordering data												
Connection	Nominal size	Tubing O.D.	D5	L1	L2	L3	L4	≈C	Weight/ piece [g]	Part No.	Type	PU*
D1	[mm]	D2										
R thread												
R $\frac{1}{8}$	2.6	4	-	21	8	17	-	10	8.5	153001	QS- $\frac{1}{8}$ -4	10
										130674	QS- $\frac{1}{8}$ -4-100	100
	4	6	-	22.5	8	18.5	-	12	9	153002	QS- $\frac{1}{8}$ -6	10
										130675	QS- $\frac{1}{8}$ -6-100	100
	5	8	-	28	8	24	-	14	15	153004	QS- $\frac{1}{8}$ -8	10
										130676	QS- $\frac{1}{8}$ -8-50	50
	5.4	10	-	30.3	8	26.3	-	17	22.5	190643	QS- $\frac{1}{8}$ -10	10
R $\frac{1}{4}$	2.6	4	-	21	11	15	-	14	16	190644	QS- $\frac{1}{4}$ -4	10
										153003	QS- $\frac{1}{4}$ -6	10
	4	6	-	24.5	11	18.5	-	14	17	130677	QS- $\frac{1}{4}$ -6-100	100
										153005	QS- $\frac{1}{4}$ -8	10
	5	8	-	26.5	11	20.5	-	14	15	130678	QS- $\frac{1}{4}$ -8-50	50
										153007	QS- $\frac{1}{4}$ -10	10
	6.7	10	-	30	11	24	-	17	20	130679	QS- $\frac{1}{4}$ -10-50	50
	8.7	12	-	36	11	30	-	21	43.7	164980	QS- $\frac{1}{4}$ -12	10
										130680	QS- $\frac{1}{4}$ -12-20	20
R $\frac{3}{8}$	4	6	-	23.5	12	17.1	-	17	27	190645	QS- $\frac{3}{8}$ -6	10
										153006	QS- $\frac{3}{8}$ -8	10
	5	8	-	24	12	17.5	-	17	23	130681	QS- $\frac{3}{8}$ -8-50	50
										153008	QS- $\frac{3}{8}$ -10	10
	6.7	10	-	29.5	12	23	-	17	26	130682	QS- $\frac{3}{8}$ -10-50	50
										153009	QS- $\frac{3}{8}$ -12	10
	8.7	12	-	32	12	25.5	-	21	35.5	130683	QS- $\frac{3}{8}$ -12-20	20
	10.3	16	23.8	41.9	12	35.4	10	22	59.5	164957	QS- $\frac{3}{8}$ -16	1
R $\frac{1}{2}$	6.7	10	-	30.3	15	22.1	-	21	49	190646	QS- $\frac{1}{2}$ -10	1
										153010	QS- $\frac{1}{2}$ -12	1
	8.7	12	-	34	15	26	-	21	49.5	130684	QS- $\frac{1}{2}$ -12-20	20
										153011	QS- $\frac{1}{2}$ -16	1
	12	16	-	41.5	15	33.5	-	24	67	130685	QS- $\frac{1}{2}$ -16-20	20

* Packaging unit quantity