



Table of Contents

Overview	D2–D5
Solid Wall	D6–D7
Wide Slot	D8–D9
Wide Slot – Halogen Free	D10–D11
Narrow Slot	D12–D13
Round Hole	D14–D15
Thermoplastic Metric Wiring Duct	D16–D17
Accessories	D18–D19
Wiring Duct Tools	D20–D21
Wire Fill Capacity	D22
Properties of materials used in Wiring Duct	D23
Solid Wall (PVC) – Dimensions	D24
Wide Slot (PVC) – Dimensions	D25
Narrow Slot (PVC) – Dimensions	D26
Round Slot (PVC) – Dimensions	D27
Agency Approvals and Standards	D28



Thomas & Betts' innovative new Ty-Duct™ products offer a total solution for routing and concealing wiring in control panels. Many different sizes are available to accommodate anything from the smallest wallmount panel to the larger integrated systems!

Overview

Ty-Duct™ – The versatile configurations you need for routing and concealing wiring!

Here are some of the impressive features incorporated into all of our wiring duct solutions.

Features

- Available in Solid, Wide Slot, Narrow Slot, and Round Hole versions to meet your capacity and flexibility needs
- Widths from 0.75 in. to 6 in. and depths from 1 in. to 5 in.
- Optional adhesive back for quick, hassle-free installation
- Complete selection of accessories and tools for installation
- Lead-free construction
- Lightweight Halogen-free unit available for Wide Slot Wiring Duct

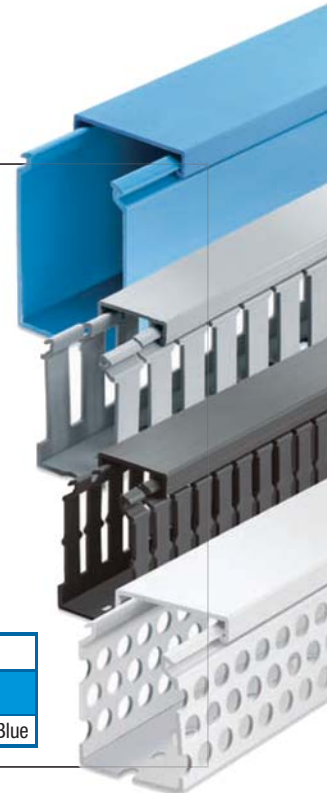
Certifications

- UL Recognized Continuous-Use Temperature: 50° C (122° F)
- UL 94 Flammability — Rating of V-0
- Conforms with NFPA 79-2002 Section 14.3.1 Requirement for Flame Retardant Material
- CE compliant for European shipping
- CSA Certified
- RoHS Compliant



Available in 4 Colours

Grey	White	Black	Intrinsic Blue



Overview



Advantages

- **Two-point contact** design enables the cover to be easily installed in the right place with less force
- **Co-extruded cover** ensures the cover will stay in place and will not slip once installed
- **Smooth corners and edges** will not damage or disfigure wires
- **Flush cover design** enables greater capacity and sits flush with duct side wall
- **Triple restricted slots** speed installation while enabling better wire retaining in duct
- **Dual score lines** — Upper score line allows fingers to be broken out without tools and the lower score line allows side wall sections to be removed easily
- **V-shaped slot lead-in** funnels wires into slot for easier wire insertion
- **Staggered mounting hole pattern** (larger widths)
- **Universal Mounting Clip** secures into the base to perform several tasks:
 - Enables divider to be snapped into base
 - Slots in the Universal Mounting Clip allow cable ties to pass through to hold wire bundles in place
 - 2 slot sizes on Universal Mounting Clip accommodate traditional nylon cable ties or hook and loop fasteners
- **Slotted and Solid Divider** accommodates various wiring applications
- **Grooved cover** provides better grip for removal and placement of cover onto base
- **Writable protective film** on covers protects from work site scratches and scuffs and enables temporary marking or labeling
- **Embossed holes** enable Universal Mounting Clips to be installed, even after the duct has been riveted to the panel
- **PVC construction** is excellent for flame retardancy
- **North American and DIN standard mounting holes**

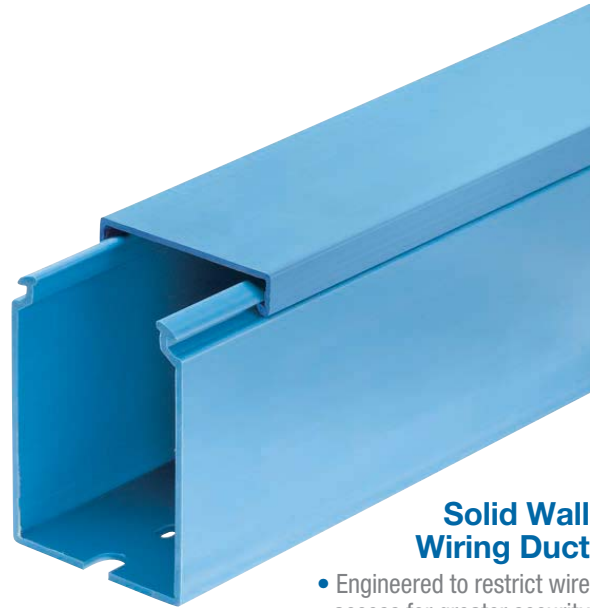
Overview

.....



Wide Slot Wiring Duct

- Wide fingers and slots increase rigidity and enable insertion of bundles
- Halogen-free version available



Solid Wall Wiring Duct

- Engineered to restrict wire access for greater security
- Available in improved flush sidewall and cover style for greater wire capacity



Round Hole Wiring Duct

- Multiple rows of holes retain wire at different heights and positions with or without the cover
- Features maximum number of wire holes



Narrow Slot Wiring Duct

- Smaller, higher number of fingers for more concise harnessing
- Finger design restricts wire from slipping along the edge — creates two or three levels of wire service

Overview

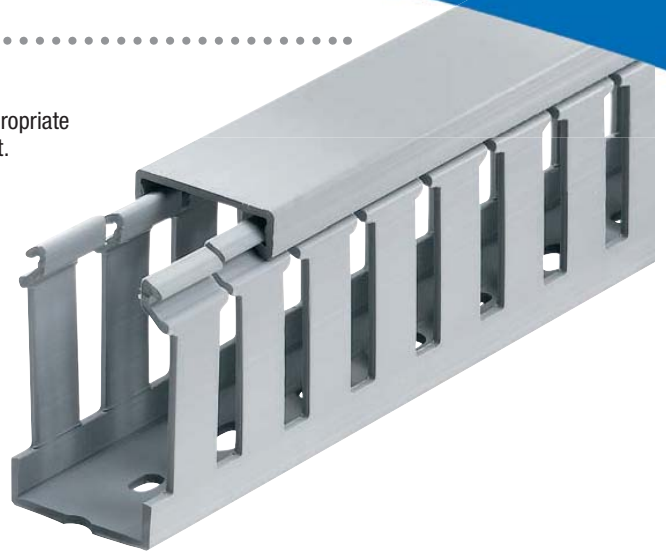
How to order Ty-Duct™

Ordering the Ty-Duct™ products you need is as easy as 1, 2, 3! After selecting the appropriate Ty-Duct solutions for your application, make sure you complete the following checklist.

For Ty-Duct™ Wiring Duct and Covers

- 1 Specify colour
- 2 Indicate if you want the duct without mounting holes
- 3 Indicate if you want an adhesive-backed duct (not available in Wide Slot Duct – Halogen Free)

—	= space for colour identifier
G	= Grey
W	= White
B	= Black
I	= Intrinsic Blue



3 To order **Adhesive-Backed Duct**, add suffix **A** to catalogue number.
Example: **TY75X15WPB6A** is a 0.75 in. x 1.5 in. wide slot black duct with **adhesive backing**.
Shelf life for adhesive is 1 year.

2 To order duct **without mounting holes**, add suffix **NM** to catalogue number.
Example: **TY75X1WPG6NM** is a 0.75 in. x 1 in. wide slot grey duct with no mounting holes.

Cat. No.	Description (in.)	Size (W x H)		Cover Cat. No.	Standard Carton Quantity		Length (ft.)
		in.	mm		Duct Std. Ctn. Qty.	Cover Std. Ctn. Qty.	
TY75X1WPG6NM	0.75 x 1 wide slot duct	0.94	1.09		120	120	6
TY75X15WPB6A	0.75 x 1.5 wide slot duct	0.94	1.56	TY75CP_6	120	120	6
TY75X2WPI6	0.75 x 2 wide slot duct	0.94	2.07				6

SP = Solid
WP = Wide Slot
NP = Narrow Slot
RP = Round Hole

1 Catalogue Number must be completed by adding suffix **G** for Grey, **W** for White, **I** for Intrinsic Blue, **B** for Black. Example: **TY75X2WPI6** is a 0.75 in. x 2 in. wide slot **intrinsic blue** duct. Cover colour must be specified also.

Standard lengths are **6** feet.

For Ty-Duct™ Dividers

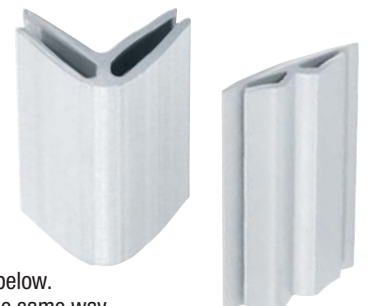


Catalogue Number must be completed by adding suffix **S** for **Solid** or **W** for **Wide Slot**.
Example: **TY2DSPG6** is a 2 in. high **solid wall grey** divider.

Cat. No.	Description	Std. Ctn. Qty.	Length (ft.)
TY2DSPG6	2 in. high wall divider	120	6

Catalogue Number must be completed by adding suffix **G** for Grey, **W** for White, **I** for Intrinsic Blue, **B** for Black. Example: **TY2DSPG6** is a 2 in. high solid wall **grey** divider.

For Ty-Duct™ Corner and Joining Strips



Corner Strip sample shown below.
Joining Strips are ordered the same way.

Cat. No.	Description	Std. Ctn. Qty.	Length (ft.)
TYCSG6	Corner Strip	120	6

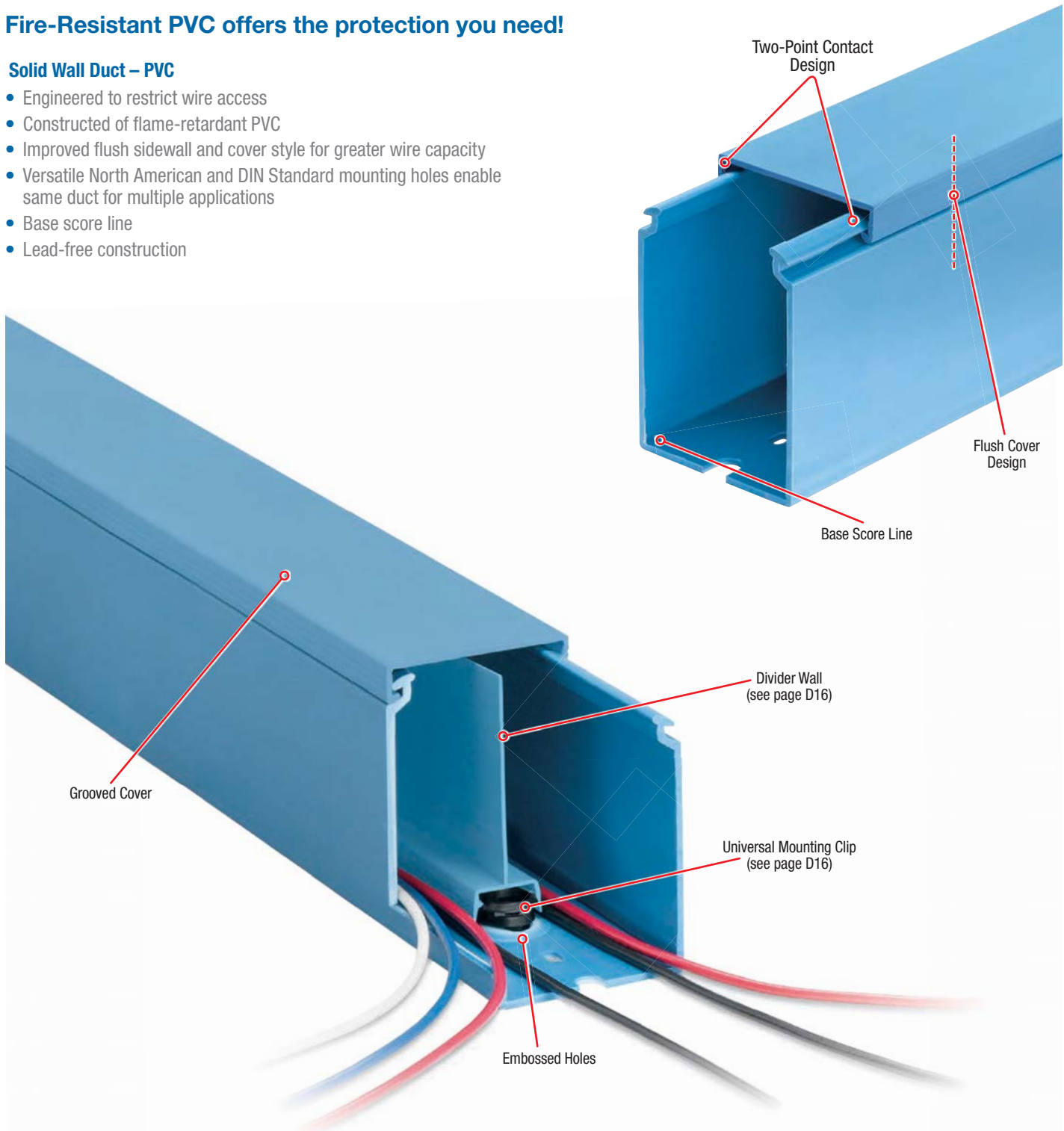
Catalogue Number must be completed by adding suffix **G** for Grey, **W** for White, **I** for Intrinsic Blue, **B** for Black.
Example: **TYCSG6** is a **grey** corner strip.

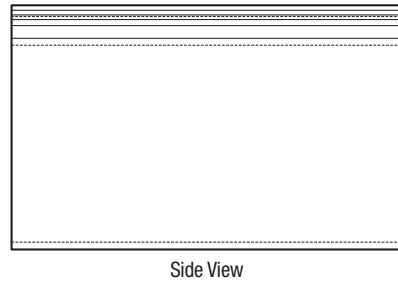
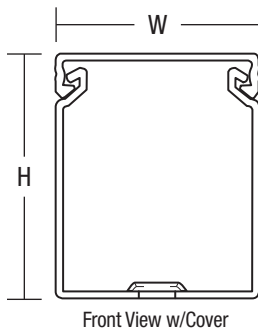
Solid Wall Duct

Fire-Resistant PVC offers the protection you need!

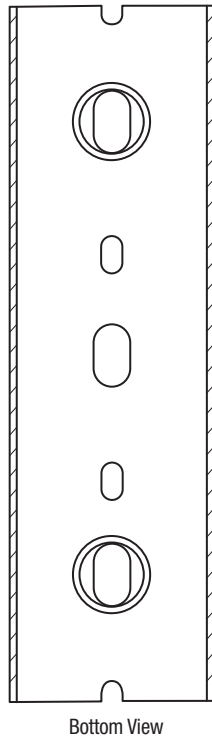
Solid Wall Duct – PVC

- Engineered to restrict wire access
- Constructed of flame-retardant PVC
- Improved flush sidewall and cover style for greater wire capacity
- Versatile North American and DIN Standard mounting holes enable same duct for multiple applications
- Base score line
- Lead-free construction





For a complete listing of Solid Wall dimensional details, see page D22



Cat. No.	Description (in.)	Size (W x H)		Cover Cat. No.	Duct Std. Ctn. Qty.	Cover Std. Ctn. Qty.	Length (ft.)
		in.	mm				
TY75X1SP_6	0.75 x 1 solid wall duct	0.94	23.9 x 29.0	TY75CP_6	120	120	6
TY75X15SP_6	0.75 x 1.5 solid wall duct	0.94	23.9 x 40.6		120		
TY75X2SP_6	0.75 x 2 solid wall duct	0.94	23.9 x 53.3		120		
TY1X1SP_6	1 x 1 solid wall duct	1.25	31.8 x 29.0	TY1CP_6	120	120	
TY1X15SP_6	1 x 1.5 solid wall duct	1.25	31.8 x 40.6		120		
TY1X2SP_6	1 x 2 solid wall duct	1.25	31.8 x 53.3		120		
TY1X3SP_6	1 x 3 solid wall duct	1.25	31.8 x 77.5		120		
TY1X4SP_6	1 x 4 solid wall duct	1.25	31.8 x 111.0		60		
TY15X1SP_6	1.5 x 1 solid wall duct	1.75	44.5 x 29.0	TY15CP_6	120	120	
TY15X15SP_6	1.5 x 1.5 solid wall duct	1.75	44.5 x 40.6		120		
TY15X2SP_6	1.5 x 2 solid wall duct	1.75	44.5 x 53.3		120		
TY15X3SP_6	1.5 x 3 solid wall duct	1.75	44.5 x 77.5		120		
TY15X4SP_6	1.5 x 4 solid wall duct	1.75	44.5 x 111.0		60		
TY2X1SP_6	2 x 1 solid wall duct	2.25	57.2 x 31.5	TY2CP_6	120	120	
TY2X15SP_6	2 x 1.5 solid wall duct	2.25	57.2 x 43.2		120		
TY2X2SP_6	2 x 2 solid wall duct	2.25	57.2 x 55.6		120		
TY2X3SP_6	2 x 3 solid wall duct	2.25	57.2 x 79.8		60		
TY2X4SP_6	2 x 4 solid wall duct	2.25	57.2 x 113.3		60		
TY2X5SP_6	2 x 5 solid wall duct	2.25	57.2 x 130.8		60		
TY25X2SP_6	2.5 x 2 solid wall duct	2.75	69.9 x 55.6	TY25CP_6	120	120	
TY25X3SP_6	2.5 x 3 solid wall duct	2.75	69.9 x 79.8		60		
TY25X4SP_6	2.5 x 4 solid wall duct	2.75	69.9 x 113.3		60		
TY3X1SP_6	3 x 1 solid wall duct	3.25	82.6 x 31.5	TY3CP_6	120	120	
TY3X2SP_6	3 x 2 solid wall duct	3.25	82.6 x 55.6		60		
TY3X3SP_6	3 x 3 solid wall duct	3.25	82.6 x 79.8		60		
TY3X4SP_6	3 x 4 solid wall duct	3.25	82.6 x 113.3		60		
TY3X5SP_6	3 x 5 solid wall duct	3.25	82.6 x 130.8		60		
TY4X15SP_6	4 x 1.5 solid wall duct	4.25	108.0 x 43.2	TY4CP_6	60	120	
TY4X2SP_6	4 x 2 solid wall duct	4.25	108.0 x 55.6		60		
TY4X3SP_6	4 x 3 solid wall duct	4.25	108.0 x 79.8		60		
TY4X4SP_6	4 x 4 solid wall duct	4.25	108.0 x 113.3		30		
TY4X5SP_6	4 x 5 solid wall duct	4.25	108.0 x 130.8		30		
TY6X4SP_6	6 x 4 solid wall duct	6.25	158.8 x 113.3		TY6CP_6		

_ = space for colour identifier	
G = Grey	
W = White	
B = Black	
I = Intrinsic Blue	

Standard lengths are 6 feet.

Catalogue Number must be completed by adding suffix **G** for Grey, **W** for White, **I** for Intrinsic Blue, **B** for Black.
Example: **TY75X1SPG6** is a 0.75 in. x 1 in. solid wall grey duct.

To order duct **without mounting holes**, add suffix **NM** to catalogue number.
Example: **TY75X1SPG6NM** is a 0.75 in. x 1 in. solid wall grey duct with **no mounting holes**.

To order **Adhesive-Backed Duct**, add suffix **A** to catalogue number.
Example: **TY75X1SPG6A** is a 0.75 in. x 1 in. solid wall grey duct with **adhesive backing**. Shelf life for adhesive is 1 year.

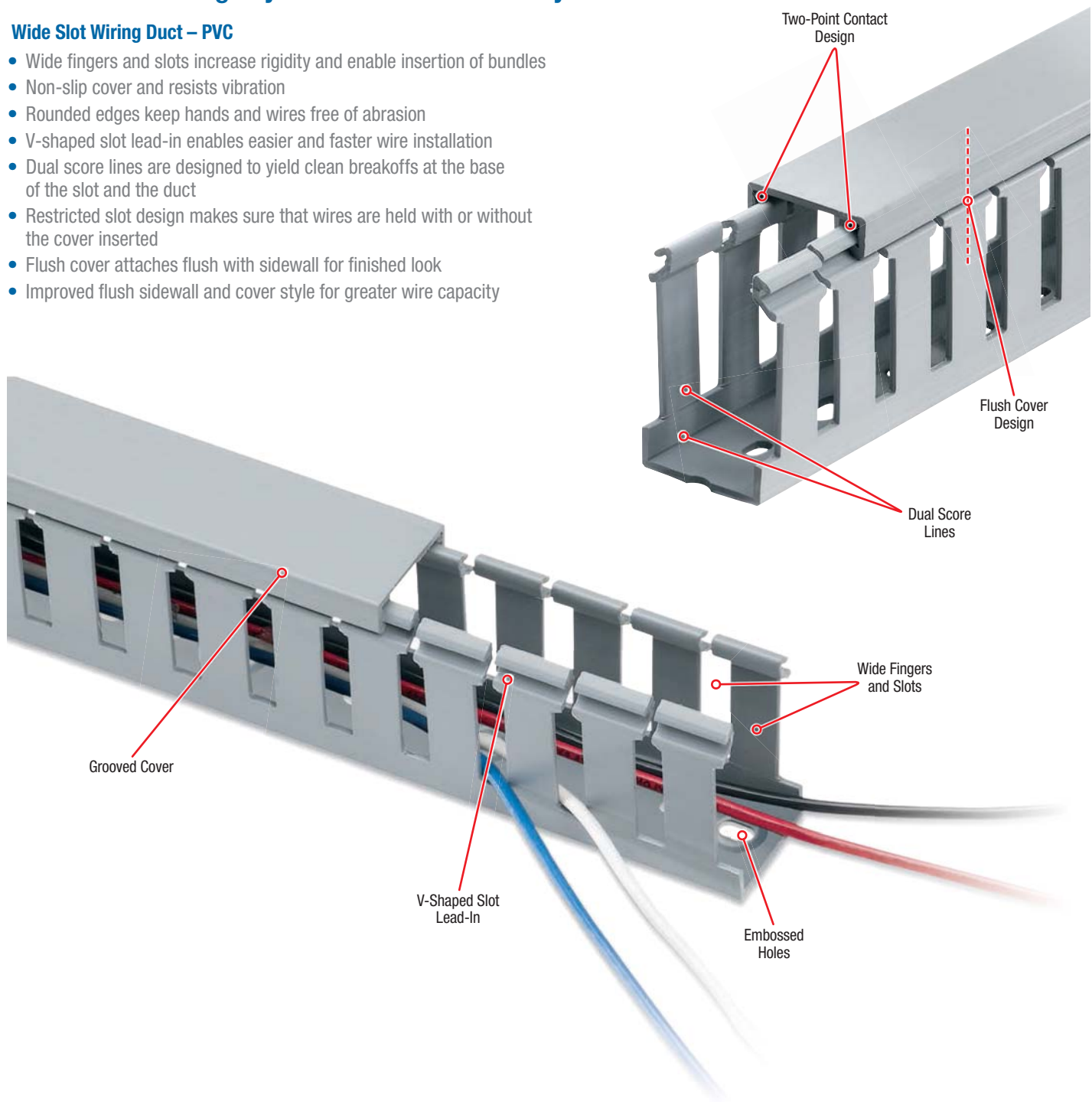
PVC vinyl duct is UL Recognized , CSA Certified and CE Compliant

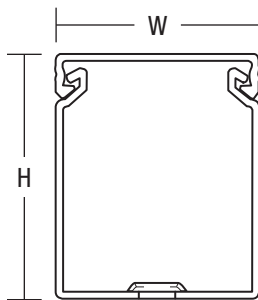
Wide Slot Wiring Duct

Greater sidewall rigidity with increased versatility!

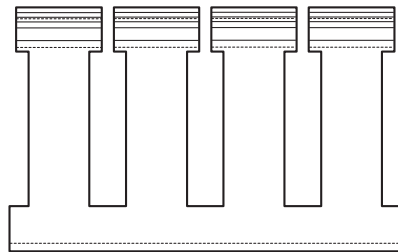
Wide Slot Wiring Duct – PVC

- Wide fingers and slots increase rigidity and enable insertion of bundles
- Non-slip cover and resists vibration
- Rounded edges keep hands and wires free of abrasion
- V-shaped slot lead-in enables easier and faster wire installation
- Dual score lines are designed to yield clean breakoffs at the base of the slot and the duct
- Restricted slot design makes sure that wires are held with or without the cover inserted
- Flush cover attaches flush with sidewall for finished look
- Improved flush sidewall and cover style for greater wire capacity



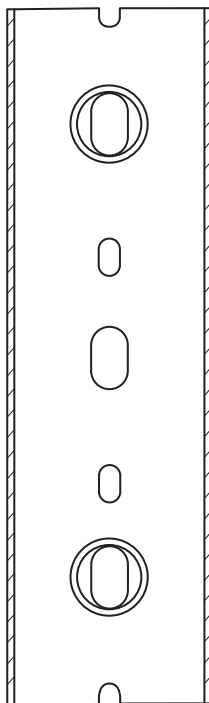


Front View w/Cover



Side View

For a complete listing of Wide Slot dimensional details, see page D23



Bottom View

Cat. No.	Description (in.)	Size (W x H)		Cover Cat. No.	Duct Std. Ctn. Qty.	Cover Std. Ctn. Qty.	Length (ft.)
		in.	mm				
TY75X1WP_6	0.75 x 1 wide slot duct	0.94 x 1.14	23.9 x 29.0	TY75CP_6	120	120	6
TY75X15WP_6	0.75 x 1.5 wide slot duct	0.94 x 1.60	23.9 x 40.6		120		
TY75X2WP_6	0.75 x 2 wide slot duct	0.94 x 2.10	23.9 x 53.3		120		
TY1X1WP_6	1 x 1 wide slot duct	1.25 x 1.14	31.8 x 29.0	TY1CP_6	120	120	
TY1X15WP_6	1 x 1.5 wide slot duct	1.25 x 1.60	31.8 x 40.6		120		
TY1X2WP_6	1 x 2 wide slot duct	1.25 x 2.10	31.8 x 53.3		120		
TY1X3WP_6	1 x 3 wide slot duct	1.25 x 3.05	31.8 x 77.5		120		
TY1X4WP_6	1 x 4 wide slot duct	1.25 x 4.37	31.8 x 111.0	60	TY15CP_6	120	
TY15X1WP_6	1.5 x 1 wide slot duct	1.75 x 1.14	44.5 x 29.0	120			
TY15X15WP_6	1.5 x 1.5 wide slot duct	1.75 x 1.60	44.5 x 40.6	120			
TY15X2WP_6	1.5 x 2 wide slot duct	1.75 x 2.10	44.5 x 53.3	120			
TY15X3WP_6	1.5 x 3 wide slot duct	1.75 x 3.05	44.5 x 77.5	120	TY2CP_6	120	
TY15X4WP_6	1.5 x 4 wide slot duct	1.75 x 4.37	44.5 x 111.0	60			
TY2X1WP_6	2 x 1 wide slot duct	2.25 x 1.24	57.2 x 31.5	120			
TY2X15WP_6	2 x 1.5 wide slot duct	2.25 x 1.70	57.2 x 43.2	120			
TY2X2WP_6	2 x 2 wide slot duct	2.25 x 2.19	57.2 x 55.6	120	TY25CP_6	120	
TY2X3WP_6	2 x 3 wide slot duct	2.25 x 3.14	57.2 x 79.8	60			
TY2X4WP_6	2 x 4 wide slot duct	2.25 x 4.46	57.2 x 113.3	60			
TY2X5WP_6	2 x 5 wide slot duct	2.25 x 5.15	57.2 x 130.8	60			
TY25X2WP_6	2.5 x 2 wide slot duct	2.75 x 2.19	69.9 x 55.6	120	TY3CP_6	120	
TY25X3WP_6	2.5 x 3 wide slot duct	2.75 x 3.14	69.9 x 79.8	60			
TY25X4WP_6	2.5 x 4 wide slot duct	2.75 x 4.46	69.9 x 113.3	60			
TY3X1WP_6	3 x 1 wide slot duct	3.25 x 1.24	82.6 x 31.5	120			
TY3X2WP_6	3 x 2 wide slot duct	3.25 x 2.19	82.6 x 55.6	60	TY4CP_6	120	
TY3X3WP_6	3 x 3 wide slot duct	3.25 x 3.14	82.6 x 79.8	60			
TY3X4WP_6	3 x 4 wide slot duct	3.25 x 4.46	82.6 x 113.3	60			
TY3X5WP_6	3 x 5 wide slot duct	3.25 x 5.15	82.6 x 130.8	60			
TY4X15WP_6	4 x 1.5 wide slot duct	4.25 x 1.70	108.0 x 43.2	60	TY6CP_6	60	
TY4X2WP_6	4 x 2 wide slot duct	4.25 x 2.19	108.0 x 55.6	60			
TY4X3WP_6	4 x 3 wide slot duct	4.25 x 3.14	108.0 x 79.8	60			
TY4X4WP_6	4 x 4 wide slot duct	4.25 x 4.46	108.0 x 113.3	30			
Y4X5WP_6	4 x 5 wide slot duct	4.25 x 5.15	108.0 x 130.8	30			
TY6X4WP_6	6 x 4 wide slot duct	6.25 x 4.46	158.8 x 113.3	30			

_ = space for colour identifier	
G = Grey	
W = White	
B = Black	
I = Intrinsic Blue	

Standard lengths are 6 feet.

Catalogue Number must be completed by adding suffix **G** for Grey, **W** for White, **I** for Intrinsic Blue, **B** for Black.
Example: TY75X1WPG6 is a 0.75 in. x 1 in. solid wall grey duct.

To order duct **without mounting holes**, add suffix **NM** to catalogue number.
Example: TY75X1WPG6NM is a 0.75 in. x 1 in. solid wall grey duct with **no mounting holes**.

To order **Adhesive-Backed Duct**, add suffix **A** to catalogue number.
Example: TY75X1WPG6A is a 0.75 in. x 1 in. solid wall grey duct with **adhesive backing**. Shelf life for adhesive is 1 year.

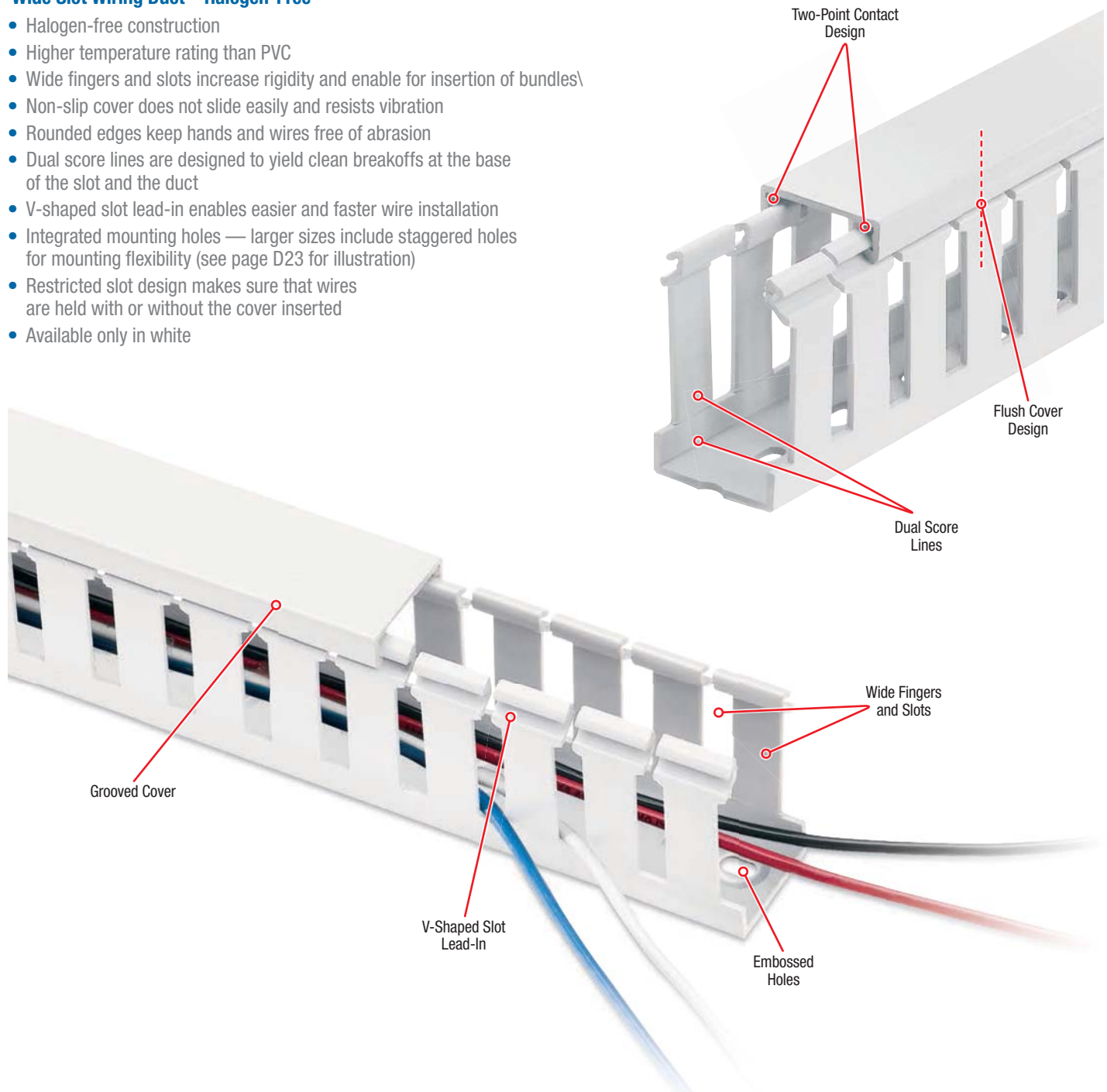
PVC vinyl duct is UL Recognized , CSA Certified and CE Compliant

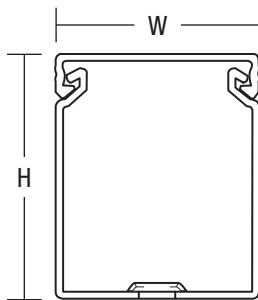
Wide Slot Wiring Duct – Halogen Free

Perfect for high-temperature areas!

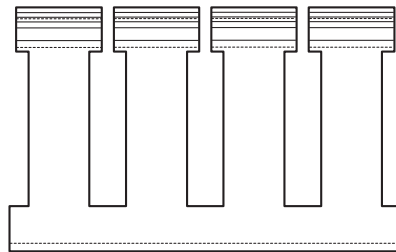
Wide Slot Wiring Duct – Halogen-Free

- Halogen-free construction
- Higher temperature rating than PVC
- Wide fingers and slots increase rigidity and enable for insertion of bundles
- Non-slip cover does not slide easily and resists vibration
- Rounded edges keep hands and wires free of abrasion
- Dual score lines are designed to yield clean breakoffs at the base of the slot and the duct
- V-shaped slot lead-in enables easier and faster wire installation
- Integrated mounting holes — larger sizes include staggered holes for mounting flexibility (see page D23 for illustration)
- Restricted slot design makes sure that wires are held with or without the cover inserted
- Available only in white



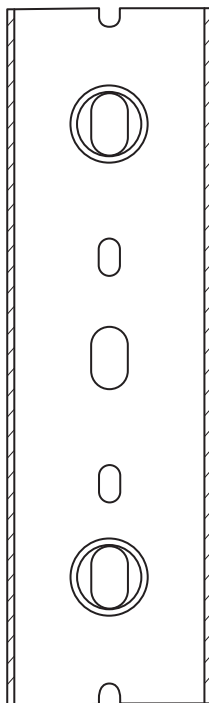


Front View w/Cover



Side View

For a complete listing of Wide Slot dimensional details, see page D23



Bottom View

Cat. No.	Description	Size (W x H)		Cover Cat. No.	Duct Std. Ctn. Qty.	Cover Std. Ctn. Qty.	Length (ft.)
		in.	mm				
TY1X1WHW6	1 x 1 halogen-free white duct	1.25 x 1.14	31.8 x 29.0	TY1CHW6	120	120	6
TY1X15WHW6	1 x 1.5 halogen-free white duct	1.25 x 1.60	31.8 x 40.6		120		
TY1X2WHW6	1 x 2 halogen-free white duct	1.25 x 2.10	31.8 x 53.3		120		
TY1X3WHW6	1 x 3 halogen-free white duct	1.25 x 3.05	31.8 x 77.5		120		
TY1X4WHW6	1 x 4 halogen-free white duct	1.25 x 4.37	31.8 x 111.0		60		
TY15X15WHW6	1.5 x 1.5 halogen-free white duct	1.75 x 1.60	44.5 x 40.6	TY15CHW6	120		
TY15X2WHW6	1.5 x 2 halogen-free white duct	1.75 x 2.10	44.5 x 53.3		120		
TY15X3WHW6	1.5 x 3 halogen-free white duct	1.75 x 3.05	44.5 x 77.5		120		
TY15X4WHW6	1.5 x 4 halogen-free white duct	1.75 x 4.37	44.5 x 111.0		60		
TY2X1WHW6	2 x 1 halogen-free white duct	2.25 x 1.24	57.2 x 31.5	TY2CHW6	120		
TY2X2WHW6	2 x 2 halogen-free white duct	2.25 x 2.19	57.2 x 55.6		120		
TY2X3WHW6	2 x 3 halogen-free white duct	2.25 x 3.14	57.2 x 79.8		60		
TY2X4WHW6	2 x 4 halogen-free white duct	2.25 x 4.46	57.2 x 113.3		60		
TY25X3WHW6	2.5 x 3 halogen-free white duct	2.75 x 3.14	69.9 x 79.8	TY25CHW6	60		
TY3X1WHW6	3 x 1 halogen-free white duct	3.25 x 1.24	82.6 x 31.5	TY3CHW6	120		
TY3X2WHW6	3 x 2 halogen-free white duct	3.25 x 2.19	82.6 x 55.6		60		
TY3X3WHW6	3 x 3 halogen-free white duct	3.25 x 3.14	82.6 x 79.8		60		
TY3X4WHW6	3 x 4 halogen-free white duct	3.25 x 4.46	82.6 x 113.3		60		
TY3X5WHW6	3 x 5 halogen-free white duct	3.25 x 5.15	82.6 x 130.8		60		
TY4X2WHW6	4 x 2 halogen-free white duct	4.25 x 2.19	108.0 x 55.6	TY4CHW6	60		
TY4X3WHW6	4 x 3 halogen-free white duct	4.25 x 3.14	108.0 x 79.8		60		
TY4X4WHW6	4 x 4 halogen-free white duct	4.25 x 4.46	108.0 x 113.3		30		
TY4X5WHW6	4 x 5 halogen-free white duct	4.25 x 5.15	108.0 x 130.8		30		

— = space for colour identifier
W = White

Standard lengths are 6 feet.

To order duct **without mounting holes**, add suffix **NM** to catalogue number.
 Example: **TY1XWHW6NM** is a 1 in. x 1 in. wide slot halogen-free white duct with **no mounting holes**.

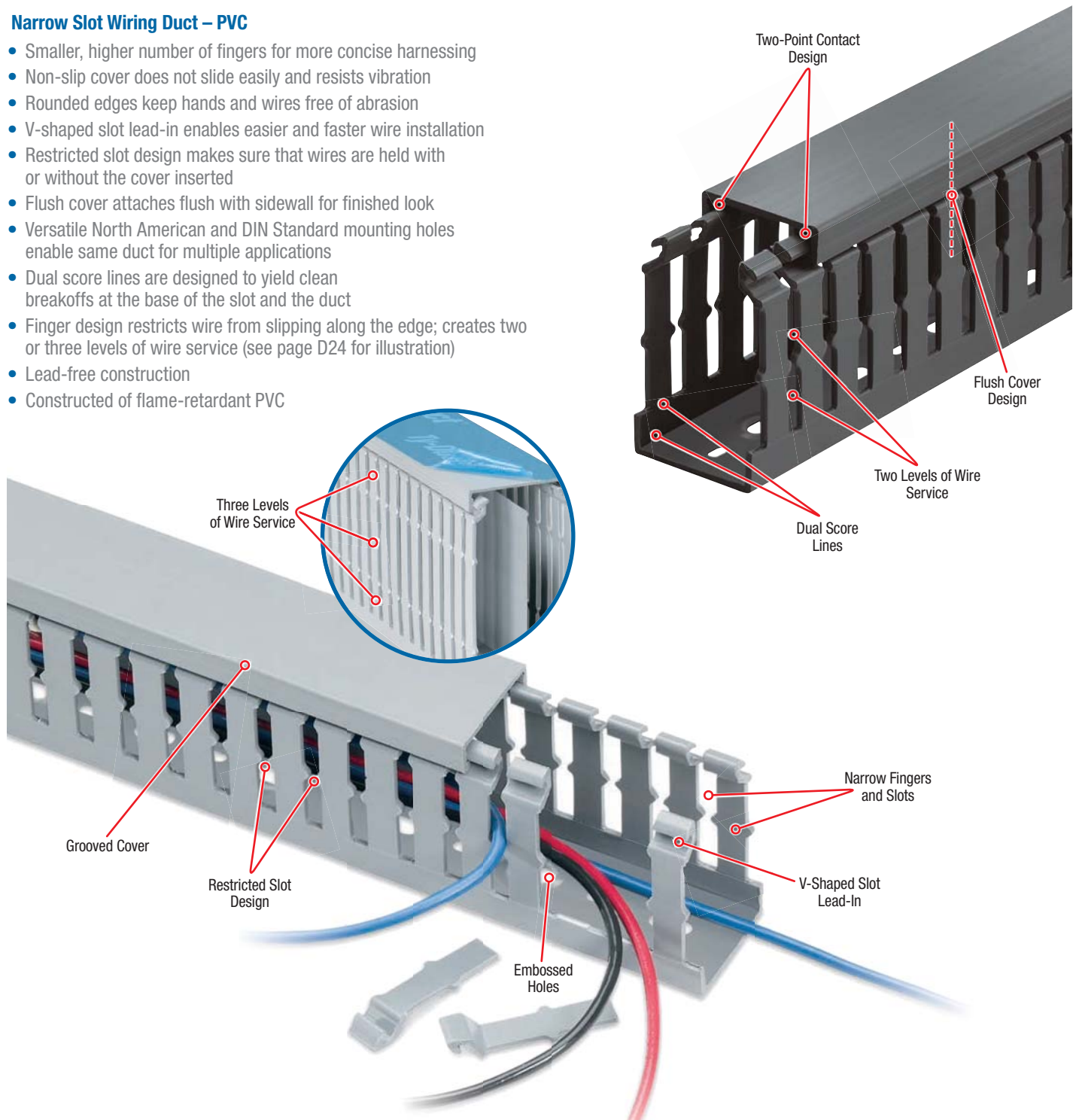
Vinyl duct is UL Recognized , CSA Certified and meets the JIC requirements
 PVC vinyl duct is UL Recognized , CSA Certified and CE Compliant

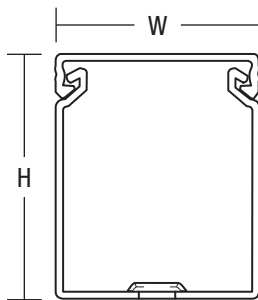
Narrow Slot Wiring Duct

Designed to fit the spacing of high-density terminal blocks!

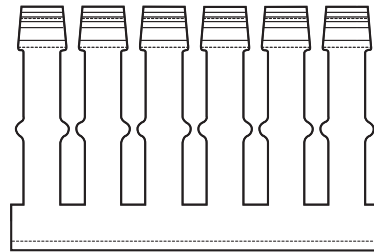
Narrow Slot Wiring Duct – PVC

- Smaller, higher number of fingers for more concise harnessing
- Non-slip cover does not slide easily and resists vibration
- Rounded edges keep hands and wires free of abrasion
- V-shaped slot lead-in enables easier and faster wire installation
- Restricted slot design makes sure that wires are held with or without the cover inserted
- Flush cover attaches flush with sidewall for finished look
- Versatile North American and DIN Standard mounting holes enable same duct for multiple applications
- Dual score lines are designed to yield clean breakoffs at the base of the slot and the duct
- Finger design restricts wire from slipping along the edge; creates two or three levels of wire service (see page D24 for illustration)
- Lead-free construction
- Constructed of flame-retardant PVC



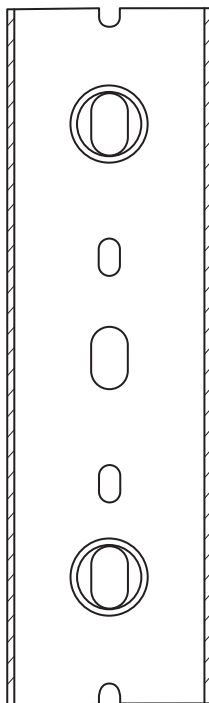


Front View w/Cover



Side View

For a complete listing of Narrow Slot dimensional details, see page D24




Bottom View

Cat. No.	Description (in.)	Size (W x H)		Cover Cat. No.	Duct Std. Ctn. Qty.	Cover Std. Ctn. Qty.	Length (ft.)
		in.	mm				
TY75X15NP_6	0.75 x 1.5 narrow slot duct	0.94 x 1.60	23.9 x 40.6	TY75CP_6	120	120	6
TY1X1NP_6	1 x 1 narrow slot duct	1.25 x 1.14	31.8 x 29.0	TY1CP_6	120		
TY1X15NP_6	1 x 1.5 narrow slot duct	1.25 x 1.60	31.8 x 40.6		120		
TY1X2NP_6	1 x 2 narrow slot duct	1.25 x 2.10	31.8 x 53.3		120		
TY1X3NP_6	1 x 3 narrow slot duct	1.25 x 3.05	31.8 x 77.5		120		
TY1X4NP_6	1 x 4 narrow slot duct	1.25 x 4.37	31.8 x 111.0		60		
TY15X1NP_6	1.5 x 1 narrow slot duct	1.75 x 1.14	44.5 x 29.0	TY15CP_6	120		
TY15X15NP_6	1.5 x 1.5 narrow slot duct	1.75 x 1.60	44.5 x 40.6		120		
TY15X2NP_6	1.5 x 2 narrow slot duct	1.75 x 2.10	44.5 x 53.3		120		
TY15X3NP_6	1.5 x 3 narrow slot duct	1.75 x 3.05	44.5 x 77.5		120		
TY15X4NP_6	1.5 x 4 narrow slot duct	1.75 x 4.37	44.5 x 111.0		60		
TY2X1NP_6	2 x 1 narrow slot duct	2.25 x 1.24	57.2 x 31.5	TY2CP_6	120		
TY2X15NP_6	2 x 1.5 narrow slot duct	2.25 x 1.70	57.2 x 43.2		120		
TY2X2NP_6	2 x 2 narrow slot duct	2.25 x 2.19	57.2 x 55.6		120		
TY2X3NP_6	2 x 3 narrow slot duct	2.25 x 3.14	57.2 x 79.8		60		
TY2X4NP_6	2 x 4 narrow slot duct	2.25 x 4.46	57.2 x 113.3		60		
TY2X5NP_6	2 x 5 narrow slot duct	2.25 x 5.15	57.2 x 130.8	60			
TY25X2NP_6	2.5 x 2 narrow slot duct	2.75 x 2.19	69.9 x 55.6	TY25CP_6	120		
TY25X3NP_6	2.5 x 3 narrow slot duct	2.75 x 3.14	69.9 x 79.8		60		
TY25X4NP_6	2.5 x 4 narrow slot duct	2.75 x 4.46	69.9 x 113.3		60		
TY3X1NP_6	3 x 1 narrow slot duct	3.25 x 1.24	82.6 x 31.5	TY3CP_6	120		
TY3X2NP_6	3 x 2 narrow slot duct	3.25 x 2.19	82.6 x 55.6		60		
TY3X3NP_6	3 x 3 narrow slot duct	3.25 x 3.14	82.6 x 79.8		60		
TY3X4NP_6	3 x 4 narrow slot duct	3.25 x 4.46	82.6 x 113.3		60		
TY3X5NP_6	3 x 5 narrow slot duct	3.25 x 5.15	82.6 x 130.8		60		
TY4X2NP_6	4 x 2 narrow slot duct	4.25 x 2.19	108.0 x 55.6	TY4CP_6	60		
TY4X3NP_6	4 x 3 narrow slot duct	4.25 x 3.14	108.0 x 79.8		60		
TY4X4NP_6	4 x 4 narrow slot duct	4.25 x 4.46	108.0 x 113.3		30		
TY4X5NP_6	4 x 5 narrow slot duct	4.25 x 5.15	108.0 x 130.8		30		

_ = space for colour identifier	
G = Grey	
W = White	
B = Black	
I = Intrinsic Blue	

Standard lengths are 6 feet.
 Catalogue Number must be completed by adding suffix **G** for Grey, **W** for White, **I** for Intrinsic Blue, **B** for Black.
 Example: TY75X1NP**G6** is a 0.75 in. x 1 in. solid wall grey duct.

To order duct **without mounting holes**, add suffix **NM** to catalogue number.
 Example: TY75X1WPG**NM6** is a 0.75 in. x 1 in. solid wall grey duct with **no mounting holes**.

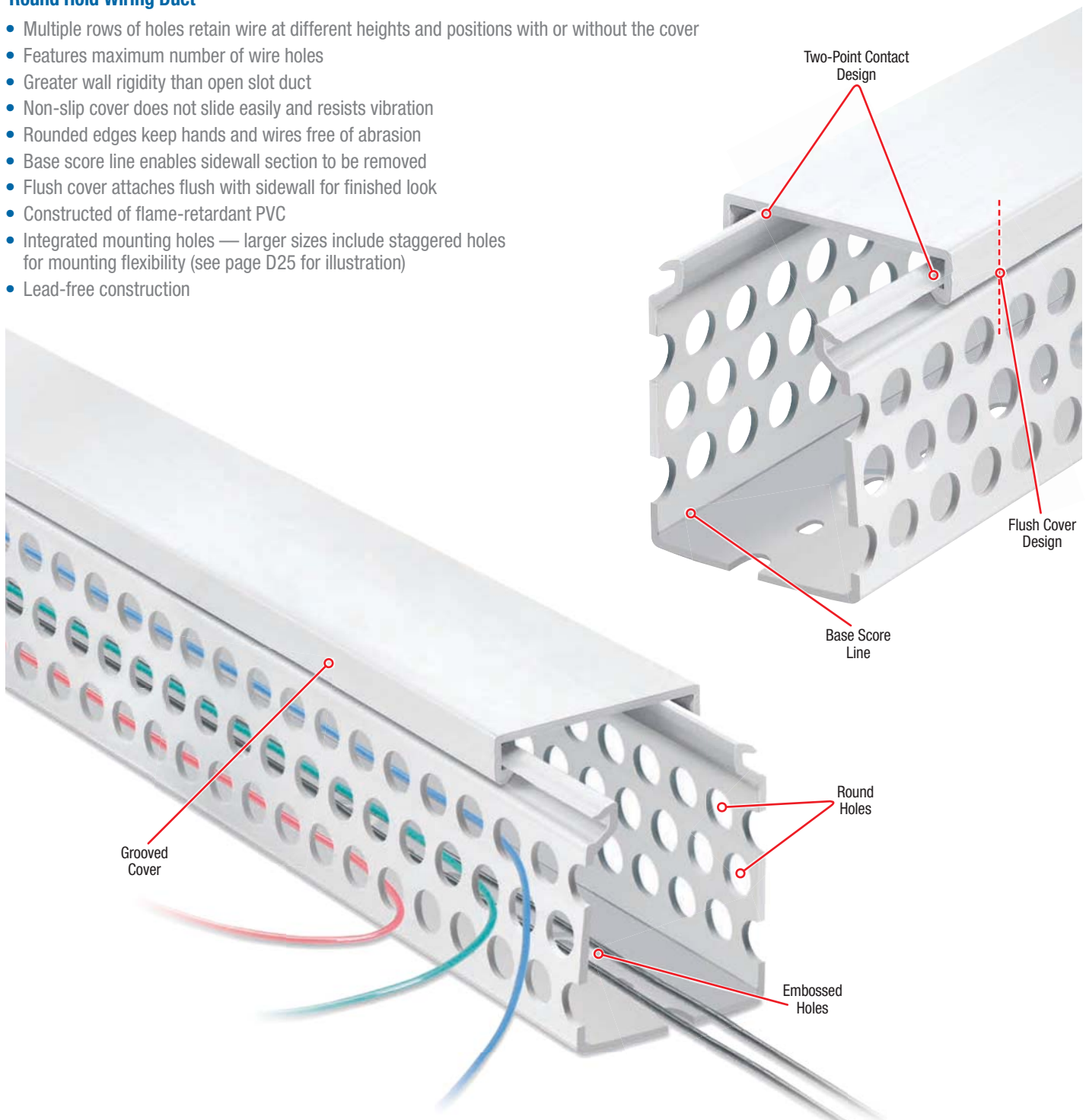
To order **Adhesive-Backed Duct**, add suffix **A** to catalogue number.
 Example: TY75X1WPG**A6** is a 0.75 in. x 1 in. solid wall grey duct with **adhesive backing**. Shelf life for adhesive is 1 year.
 PVC vinyl duct is UL Recognized , CSA Certified and CE Compliant

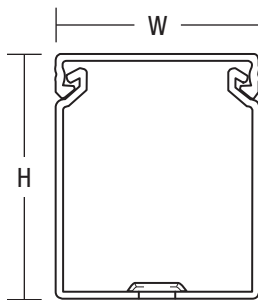
Round Hole Wiring Duct

Holes retain and support wires at different heights!

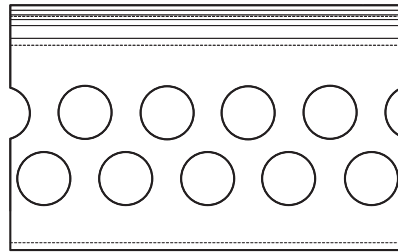
Round Hold Wiring Duct

- Multiple rows of holes retain wire at different heights and positions with or without the cover
- Features maximum number of wire holes
- Greater wall rigidity than open slot duct
- Non-slip cover does not slide easily and resists vibration
- Rounded edges keep hands and wires free of abrasion
- Base score line enables sidewall section to be removed
- Flush cover attaches flush with sidewall for finished look
- Constructed of flame-retardant PVC
- Integrated mounting holes — larger sizes include staggered holes for mounting flexibility (see page D25 for illustration)
- Lead-free construction



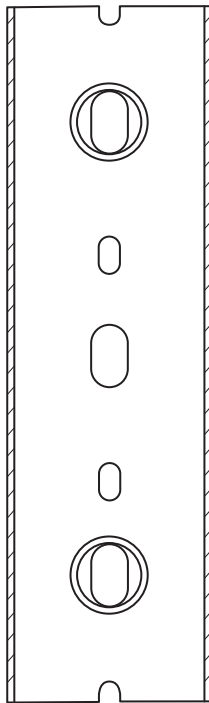


Front View w/Cover



Side View

For a complete listing of Round Hole dimensional details, see page D25



Bottom View



Cat. No.	Description (in.)	Size (W x H)		Cover Cat. No.	Duct Std. Ctn. Qty.	Cover Std. Ctn. Qty.	Length (ft.)
		in.	mm				
TY1X15RP_6	1 x 1.5 round hole duct	1.25 x 1.60	31.8 x 40.6	TY1CP_6	120	120	6
TY1X2RP_6	1 x 2 round hole duct	1.25 x 2.10	31.8 x 53.3		120		
TY1X3RP_6	1 x 3 round hole duct	1.25 x 3.05	31.8 x 77.5		120		
TY1X4RP_6	1 x 4 round hole duct	1.25 x 4.37	31.8 x 111.0		60		
TY15X15RP_6	1.5 x 1.5 round hole duct	1.75 x 1.60	44.5 x 40.6	TY15CP_6	120		
TY15X2RP_6	1.5 x 2 round hole duct	1.75 x 2.10	44.5 x 53.3		120		
TY15X3RP_6	1.5 x 3 round hole duct	1.75 x 3.05	44.5 x 77.5		120		
TY15X4RP_6	1.5 x 4 round hole duct	1.75 x 4.37	44.5 x 111.0		60		
TY2X15RP_6	2 x 1.5 round hole duct	2.25 x 1.70	57.2 x 43.2	TY2CP_6	120		
TY2X2RP_6	2 x 2 round hole duct	2.25 x 2.19	57.2 x 55.6		120		
TY2X3RP_6	2 x 3 round hole duct	2.25 x 3.14	57.2 x 79.8		60		
TY2X4RP_6	2 x 4 round hole duct	2.25 x 4.46	57.2 x 113.3		60		
TY3X2RP_6	3 x 2 round hole duct	3.25 x 2.19	82.6 x 55.6	TY3CP_6	60		
TY3X3RP_6	3 x 3 round hole duct	3.25 x 3.14	82.6 x 79.8		60		
TY3X4RP_6	3 x 4 round hole duct	3.25 x 4.46	82.6 x 113.3	60			
TY4X15RP_6	4 x 1.5 round hole duct	4.25 x 1.70	108.0 x 43.2	TY4CP_6	60		
TY4X2RP_6	4 x 2 round hole duct	4.25 x 2.19	108.0 x 55.6		60		
TY4X3RP_6	4 x 3 round hole duct	4.25 x 3.14	108.0 x 79.8		60		
TY4X4RP_6	4 x 4 round hole duct	4.25 x 4.46	108.0 x 113.3		30		

__ = space for colour identifier	
G = Grey	
W = White	
B = Black	
I = Intrinsic Blue	

Standard lengths are 6 feet.

Catalogue Number must be completed by adding suffix **G** for Grey, **W** for White, **I** for Intrinsic Blue, **B** for Black.
Example: [TY1X15RPG6](#) is a 1 in. x 1.5 in. round hole **grey** duct.

To order duct **without mounting holes**, add suffix **NM** to catalogue number.
Example: [TY1X15RPG6NM](#) is a 1 in. x 1.5 in. round hole grey duct with **no mounting holes**.

To order **Adhesive-Backed Duct**, add suffix **A** to catalogue number.
Example: [TY1X15RPG6A](#) is a 1 in. x 1.5 in. round hole grey duct with **adhesive backing**.

PVC vinyl duct is UL Recognized , CSA Certified and CE Compliant