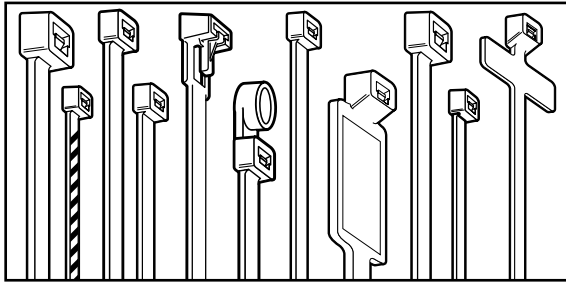


# Ty-Fast® Cable Ties



- **MINIATURE**
- **HEAVY DUTY**
- **INTERMEDIATE**
- **EXTRA HEAVY DUTY**
- **STANDARD**
- **RELEASABLE TIES**
- **MOUNTING HEAD**
- **STRIPED TIES**
- **RESTRICTED BUNDLE**
- **IDENTIFICATION TIES**
- **MIL-SPEC TIES**

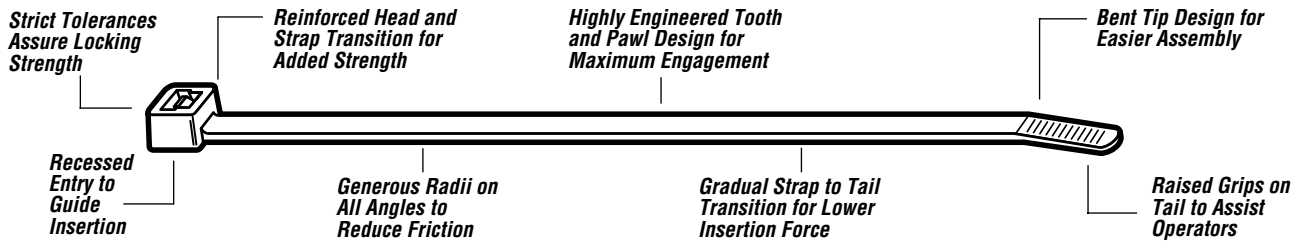
Ty-Fast® Cable Ties are available in lengths from 4" to our exclusive 48" strap. Cable Ties will satisfy bundling requirements from 1/16" to 15" and loop tensile strengths from 18 to 175 pounds.

Cable Ties are stocked in materials and colors as listed. Contact your Ty-Fast® Distributor or Customer Service Representative for availability in special materials and colors.

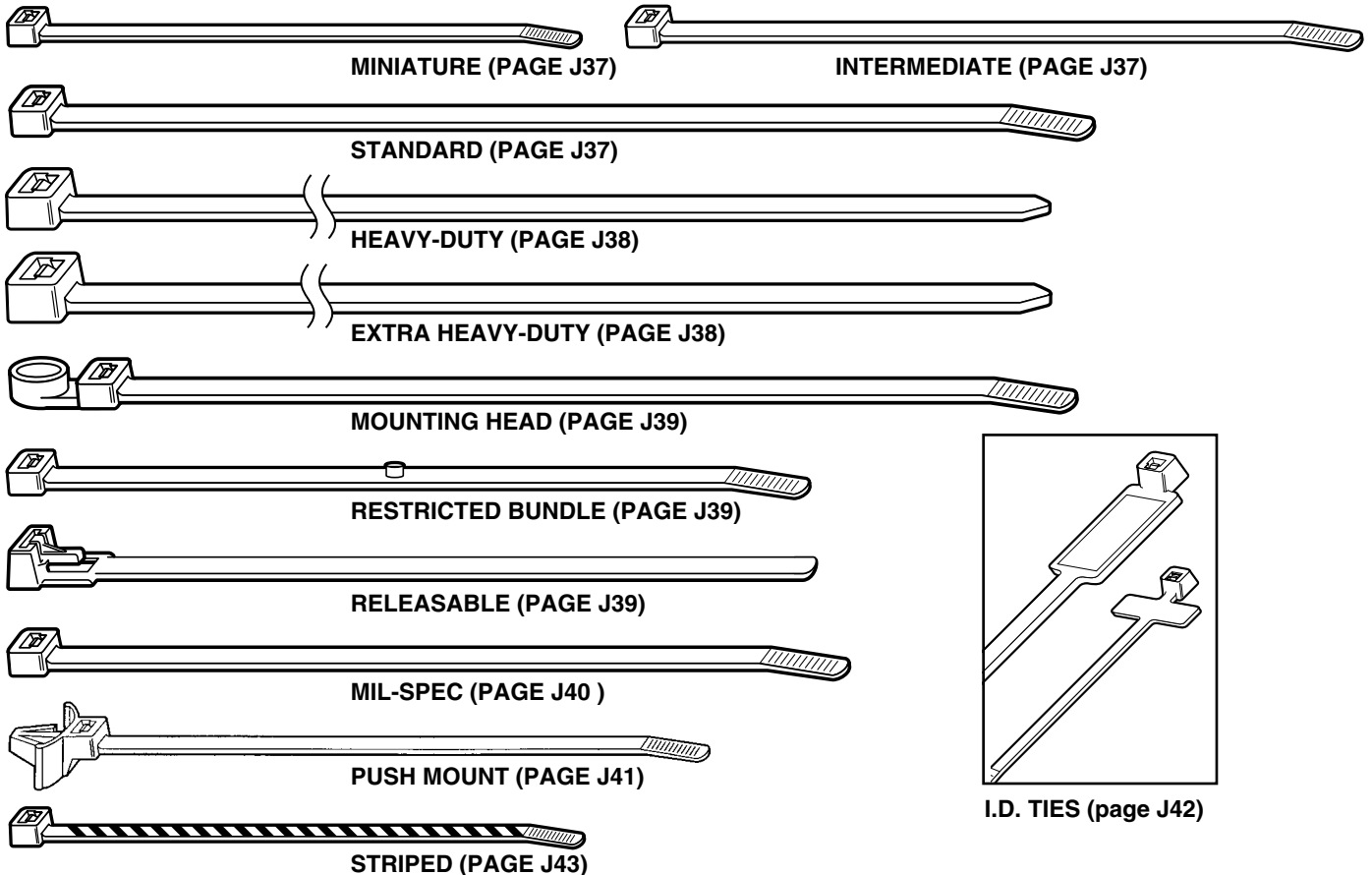
Where applicable, Ty-Fast® Cable Ties are UL Recognized, Mil-Spec Approved and/or QPL Listed.

State-of-the-art robotic and raw material handling equipment assures product and material integrity throughout the manufacturing process. Overall quality is achieved through statistical analysis and quality driven operator objectives. Ty-Fast® has attained Mil-Spec I-45208 quality ratings from a number of equipment manufacturers.

Ty-Fast® products are sold through stocking T&B Distributors.



Ty-Rap®/Ty-Fast®

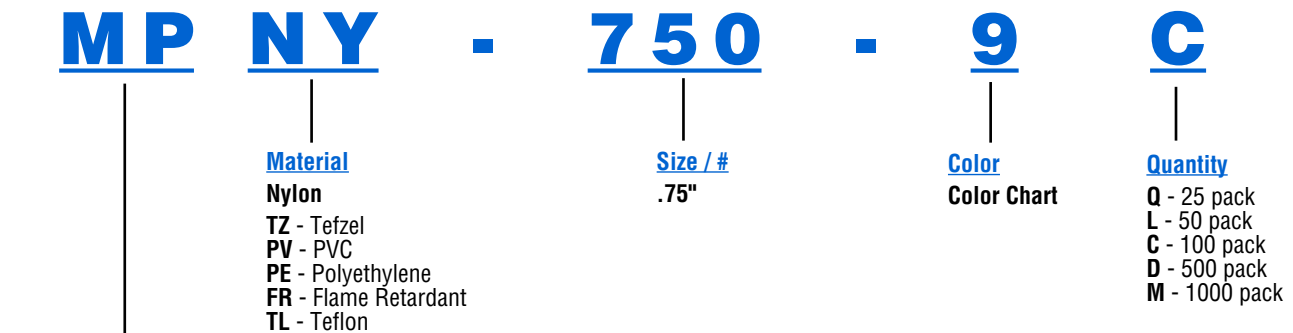
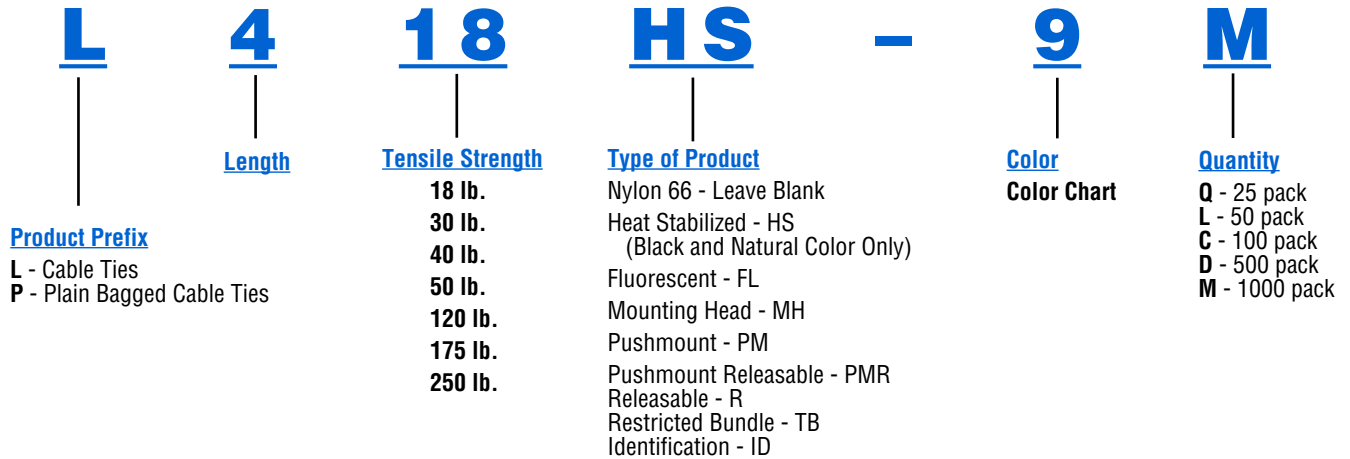


**Thomas & Betts**

# Ty-Fast®

## Cable Ties

### Part Number Construction



#### Product Prefix

MP - Mounting Pad  
ID - Identification  
S# - Strapping Thickness  
MC - Mounting Cradle  
PM - Push Mounts  
SM - Screw Mounts  
N# - Plain-Edged Cable Clamps / Width  
W# - Self-Aligning Cable Clamps / Dia.  
UL -  
GG - Gator Grip  
FA - Flat Adhesive Clip  
FS - Flat Screw Clip  
FR - Flat Rubber Adhesive Clip  
MS - Snap Mount  
RA - Round Adhesive Clip  
SR - Spiral Wrap  
GS - Grommeting  
GR - Extruded Grommeting  
GRU - Extruded Grommeting Uncut

#### Color Table

0 - Black (Weather Resistant)	7 - Purple
1 - Brown	8 - Gray
2 - Red	9 - Natural
3 - Orange	11 - Fluorescent Pink
4 - Yellow	16 - Fluorescent Orange
5 - Green	17 - Fluorescent Yellow
6 - Blue	18 - Fluorescent Green
	20 - Fluorescent Blue



Ty-Rap®/Ty-Fast®