

**TUFF-SEAL™**

**THREADED ADAPTERS**



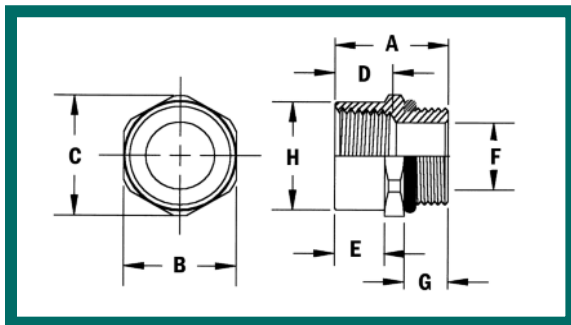
Tuff Seal Threaded Adapters easily convert – or mate – one thread style with another. These adapters are offered with both internal and external threads that mate NPT with Metric (or ISO) style fittings or NPT with Pg fittings. They are constructed of machined aluminum with electroless-nickel plating for enhanced protection against corrosion, friction and contamination. The threaded adapters also incorporate a Viton™ O-Ring to provide a liquid-tight seal. This product family is UL Recognized and meets ASTM, MIL and AMS specifications. Custom thread configurations are also available upon request.

**"M" (ISO) METRIC THREADED ADAPTERS**

Part Number	External Thread	Internal Thread	A	B Hex	C Dia.	D	E	F Dia.	G	H Dia.
M16-38	M16 x 1.5	3/8 NPT	1.000	.875	.970	.400	.435	.455	.390	.830
M16-50	M16 x 1.5	1/2 NPT	1.000	1.000	1.090	.510	.445	.610	.390	.980
M20-50	M20 x 1.5	1/2 NPT	1.000	1.000	1.090	.510	.445	.610	.390	.980
M25-50	M25 x 1.5	1/2 NPT	1.000	1.250	1.375	.520	.400	.625	.390	1.180
M25-75	M25 x 1.5	3/4 NPT	1.000	1.250	1.375	.520	.400	.800	.390	1.180
M32-75	M32 x 1.5	3/4 NPT	1.000	1.375	1.530	.520	.400	.800	.390	1.180
M32-100	M32 x 1.5	1 NPT	1.250	1.437	1.600	.680	.635	.990	.390	1.430
M32-125	M32 x 1.5	1-1/4 NPT	1.280	2.000	2.220	.700	.635	.937	.390	1.850
M40-100	M40 x 1.5	1 NPT	1.250	2.000	2.220	.680	.635	1.060	.390	1.430
M40-125	M40 x 1.5	1-1/4 NPT	1.280	2.000	2.220	.700	.635	1.320	.390	1.850
M50-150	M50 x 1.5	1-1/2 NPT	1.280	2.250	2.475	.700	.635	1.500	.390	2.190

**Pg THREADED ADAPTERS**

Part Number	External Thread	Internal Thread	A	B Hex	C Dia.	D	E	F Dia.	G	H Dia.
PG11-38	Pg 11	3/8 NPT	1.000	1.000	.970	.400	.435	.455	.390	.830
PG11-50	Pg 11	1/2 NPT	1.000	1.000	1.090	.510	.445	.485	.390	.980
PG13-50	Pg 13.5	1/2 NPT	1.000	1.000	1.090	.510	.445	.610	.390	.980
PG16-50	Pg 16	1/2 NPT	1.000	1.000	1.090	.510	.445	.610	.390	.980
PG21-50	Pg 21	1/2 NPT	1.000	1.250	1.375	.510	.445	.865	.390	.980
PG21-75	Pg 21	3/4 NPT	1.000	1.250	1.375	.520	.400	.865	.390	1.180
PG29-100	Pg 29	1 NPT	1.250	1.562	1.720	.680	.635	.990	.390	1.480
PG29-125	Pg 29	1-1/4 NPT	1.280	2.000	2.220	.700	.635	1.140	.390	1.850
PG36-125	Pg 36	1-1/4 NPT	1.280	2.000	2.220	.700	.635	1.290	.390	1.850
PG36-150	Pg 36	1-1/2 NPT	1.280	2.000	2.220	.700	.635	1.500	.390	2.190
PG42-125	Pg 42	1-1/4 NPT	1.280	2.250	2.220	.700	.635	1.500	.390	2.190
PG42-150	Pg 42	1-1/2 NPT	1.280	2.250	2.475	.700	.635	1.500	.390	2.190



**G**