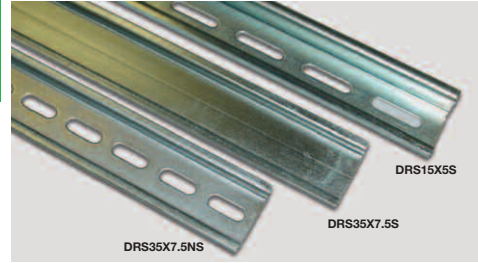


# DIN RAILS

- All Din Rail supplied in 2 meter lengths
- All Din Rail is steel with white dichromate finish
- Standard packages of 10 pieces
- Priced per piece
- Rails to UNI 5961-67 standards,
- Sendzimir zinc plating.
- Thickness of covering = 8 microns
- Compliance with the following standards: DIN 46277, CENELEC EN50.022 / EN 50.023 / EN50.035.
- In according to Weee and RoHS directives.

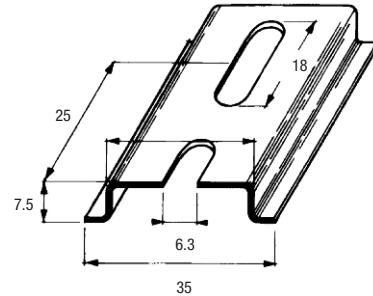


## DRS35X7.5S

Part Number	Packing ft.	Packing m.
DRS35X7.5S	65	20

CUSTOM CUTS AVAILABLE

Perforated support rail in steel. Manufactured according to the following standards: DIN 46277 CENELEC EN 50.022. Length: 2m/6.56ft. bars

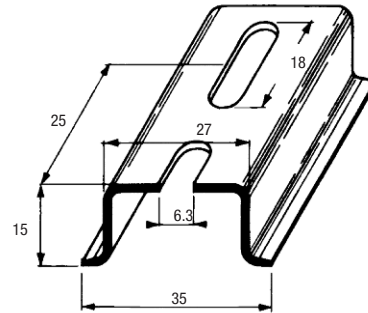


## DRS35X15S

Part Number	Packing ft.	Packing m.
DRS35X15S	65	20

CUSTOM CUTS AVAILABLE

Perforated support rail in steel. Manufactured according to the CENELEC EN 50.022 standards. Length: 2m/6.56ft. bars

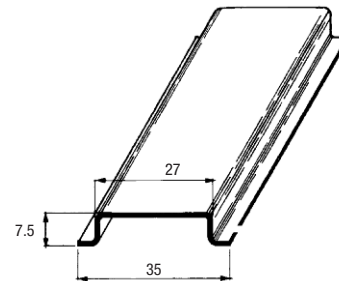


## DRS35X7.5NS

Part Number	Packing ft.	Packing m.
DRS35X7.5NS	65	20

CUSTOM CUTS AVAILABLE

Support rail in steel for clip assembly of electrical equipment. Manufactured according to the following standards: DIN 46277 CENELEC EN 50.022. Length: 2m/6.56ft. bars



## DRS35X15NS

Part Number	Packing ft.	Packing m.
DRS35X15NS	65	20

CUSTOM CUTS AVAILABLE

Support rail in steel for the clip assembly of electrical equipment. Manufactured according to the CENELEC EN 50.022 standards. Length: 2m/6.56ft. bars

