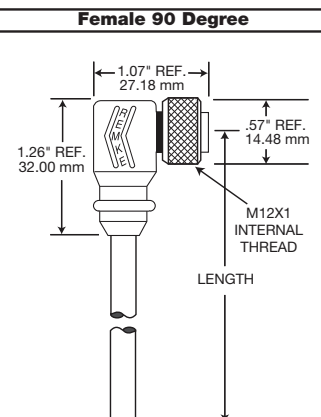
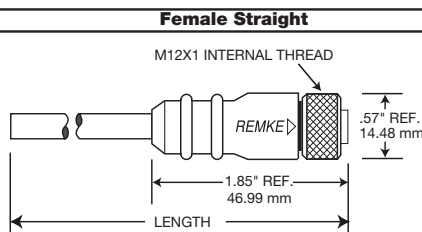
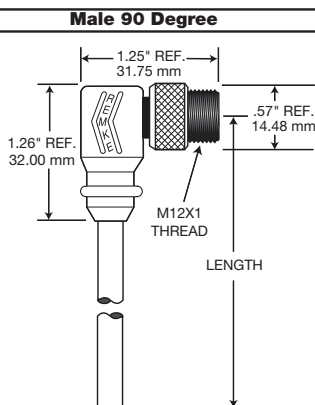


Length	Wire Gauge (AWG)	Straight Plug Non-Braided	Straight Plug Braided*	90° Plug Non-Braided	90° Plug Braided*	Mating Male Receptacle
2M/6.6 Ft.	#22 (PVC)	303A0066J	303A0066H	303C0066J	303C0066H	303P0010P
4M/13.1 Ft.	#22 (PVC)	303A0131J	303A0131H	303C0131J	303C0131H	303P0010P
5M/16.4 Ft.	#22 (PVC)	303A0164J	303A0164H	303C0164J	303C0164H	303P0010P
2M/6.6 Ft.	#22 (PVC)	304A0066J	304A0066H	304C0066J	304C0066H	304P0010P
4M/13.1 Ft.	#22 (PVC)	304A0131J	304A0131H	304C0131J	304C0131H	304P0010P
5M/16.4 Ft.	#22 (PVC)	304A0164J	304A0164H	304C0164J	304C0164H	304P0010P
2M/6.6 Ft.	#22 (PVC)	305A0066J	305A0066H	305C0066J	305C0066H	305P0010P
4M/13.1 Ft.	#22 (PVC)	305A0131J	305A0131H	305C0131J	305C0131H	305P0010P
5M/16.4 Ft.	#22 (PVC)	305A0164J	305A0164H	305C0164J	305C0164H	305P0010P

*Braid not electrically connected.

Length	Wire Gauge (AWG)	Straight Plug Non-Braided	Straight Plug Braided*	90° Plug Non-Braided	90° Plug Braided*	Mating Female Receptacle
2M/6.6 Ft.	#22 (PVC)	303E0066J	303E0066H	303F0066J	303F0066H	303S0010P
4M/13.1 Ft.	#22 (PVC)	303E0131J	303E0131H	303F0131J	303F0131H	303S0010P
5M/16.4 Ft.	#22 (PVC)	303E0164J	303E0164H	303F0164J	303F0164H	303S0010P
2M/6.6 Ft.	#22 (PVC)	304E0066J	304E0066H	304F0066J	304F0066H	304S0010P
4M/13.1 Ft.	#22 (PVC)	304E0131J	304E0131H	304F0131J	304F0131H	304S0010P
5M/16.4 Ft.	#22 (PVC)	304E0164J	304E0164H	304F0164J	304F0164H	304S0010P
2M/6.6 Ft.	#22 (PVC)	305E0066J	305E0066H	305F0066J	305F0066H	305S0010P
4M/13.1 Ft.	#22 (PVC)	305E0131J	305E0131H	305F0131J	305F0131H	305S0010P
5M/16.4 Ft.	#22 (PVC)	305E0164J	305E0164H	305F0164J	305F0164H	305S0010P

*Braid not electrically connected.



TUFF-LINK™

SINGLE KEY (M12) PVC MICRO-LINK™ PLUG ASSEMBLIES

SPECIFICATIONS

Materials

Body: PVC

O-Ring: Nitrile Rubber

Contact Carrier: Zytel ST801

Contact: Brass, Gold Plated over Nickel

Coupling Nut: Machined Aluminum, Black Anodized

Cable: #22 AWG PVC 26 x #36 Stranding, 105°C or
 #18 AWG PVC 41 x #34 Stranding, 105°C, UL Recognized,
 CSA Certified

Cable Diameters: #22 AWG PVC without braid, 3/C -.18",
 4/C -.19", 5/C-.21"

#22 AWG PVC with braid, 3/C-.23", 4/C-.25", 5/C-.26"
 (braid not electrically connected)

#18 AWG PVC, 3/C-.29", 4/C-.29", 5/C-.29"

Electrical

Voltage Rating: 300 VAC

Current Rating: #22 AWG-4A, #18 AWG-5A

Contact Resistance: ≤5mΩ

Environmental

Protection: IP68, NEMA 6P

Operating Temp: PVC: -20°C to 105°C

Certifications

Recognized,
 File No. E165657

Certified,
 File No. E165657

OPTIONS

#18 AWG (PVC) Plug Assemblies

Stainless Steel Couplers

Plastic Couplers



F

FEMALE PLUGS

RECEPTACLE PART NUMBERS

Number of Poles	Female Contact Rotation	Wiring Color Code
3		1-Brown 2-Not Used 3-Blue 4-Black
4		1-Brown 2-White 3-Blue 4-Black
5		1-Brown 2-White 3-Blue 4-Black 5-Gray

MALE PLUGS

PLUG ASSEMBLY PART NUMBERS

Number of Poles	Male Contact Rotation	Wiring Color Code
3		1-Brown 2-Not Used 3-Blue 4-Black
4		1-Brown 2-White 3-Blue 4-Black
5		1-Brown 2-White 3-Blue 4-Black 5-Gray

DIMENSIONS

Male Straight

