

Catalogue Number	Size / Description	Packaging		List Price
		Case	Box	

METAL IN-USE COVERS

→ Superior Commercial Quality Die Cast Metal → Construction Premium Powdercoat Finish
 → Mounting Hardware, Gasket and Installation → Instructions Included Patented Universal-Fit™
 → Technology Patented Quick-Fit™ Key Hole Mount for Easy Installation

Double Gang 2-Device Cover - Commercial Quality Die-Cast Metal



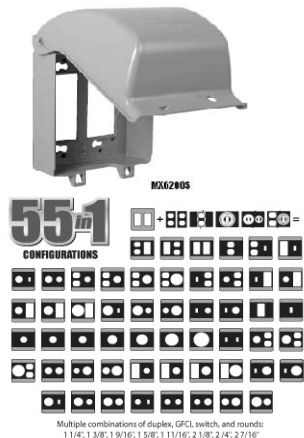
MX3200S	-	4	\$	33.37
Vertical 8-in-1 3.5" Depth				

Double Gang 2-Device Cover - Commercial Quality Die-Cast Metal



MX3300S	-	4	\$	33.37
Horizontal 8-in-1 3.5" Depth				

Double Gang 2-Device Cover - Commercial Quality Die-Cast Metal



MX6200S	-	4	\$	51.33
1 or 2 Device 55-in-1 3.5" Depth				