



# MARCUS

Marcus Transformer LTD  
 Phone: 1-800-267-7376  
 Fax: 1-866-205-7526  
 Email: Info@marcustransformer.com

## TECHNICAL DATA MODEL: MSH 75A2

1-PHASE ISOLATING

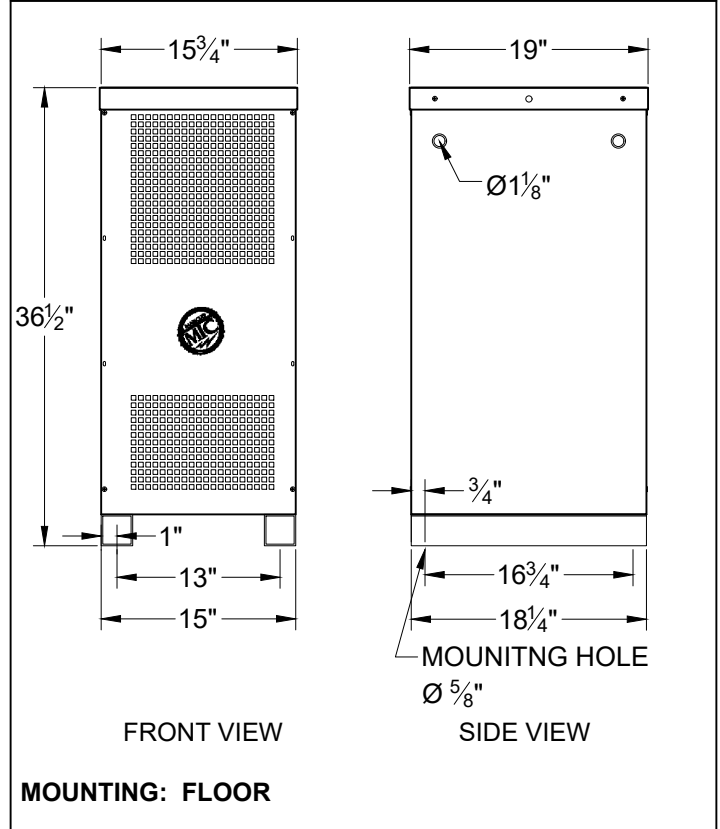
DESCRIPTION	
Type	DRY TYPE DISTRIBUTION (ANN)
KVA	75
Primary (Volts)	600
Secondary (Volts)	120 / 240
Phase	1
Enclosure	NEMA 1
Impedance (%z)	3.5
Insulation Class	220°C
Temperature Rise	150°C
Frequency	60Hz
Weight (LBS/KG)	525 / 238
Polarity	Additive
BIL.	10KV

PERFORMANCE	
No load loss	198W
Total loss	1400W
Noise level	50dB

EFFICIENCY	
	Efficiency = 98.5%
	(As per NRCAN 2019 and DOE 2016)

Primary connectors per phase :	250MCM-#6
Secondary connectors per phase:	350MCM(D)-#6

## PHYSICAL DIMENSIONS



### FEATURES:

- Anti-vibration pads installed between the core/coil and the enclosure
- Ground lug provided
- Leads brought-up and solidly positioned into separate terminal boards
- CSA enclosure: ventilated painted ASA 61gray
- Transformer meets the premium efficiency values as per NRCAN 2019/DOE 2016
- Copper ground strap between core/coil and enclosure
- CSA certified / UL listed
- Copper windings

Customer / PO	
Project	
Engineer	
Contractor	
Revision Date	

COMMENTS