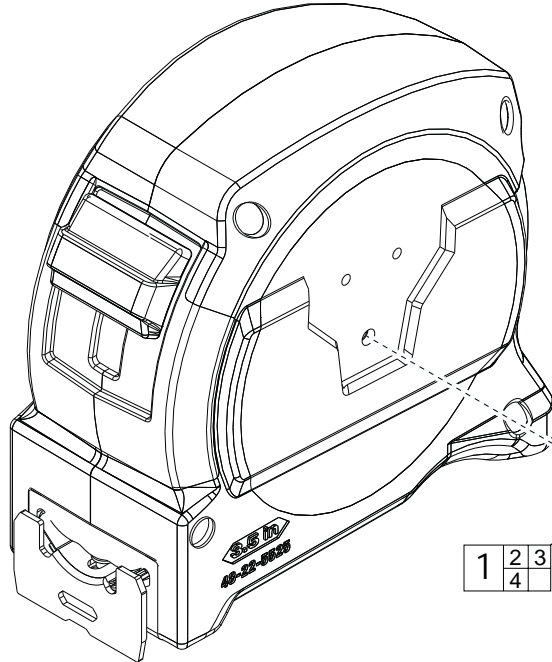
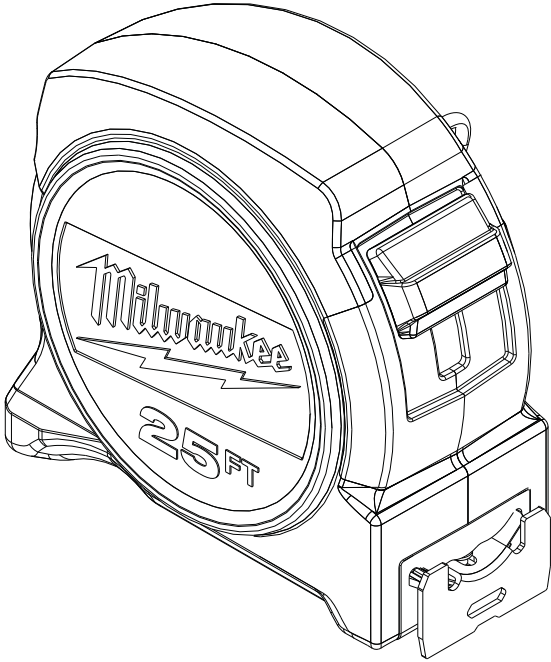




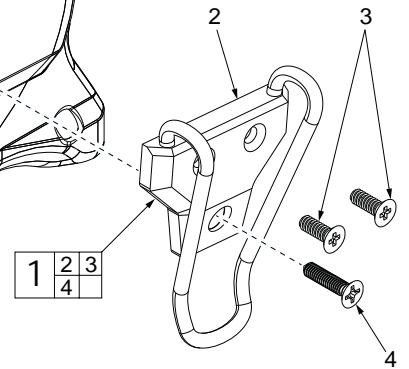
SERVICE PARTS LIST

BULLETIN NO.
54-49-5000

SPECIFY CATALOG NO. AND SERIAL NO. WHEN ORDERING PARTS					REVISED BULLETIN	DATE
TAPE MEASURES						May 2015
48-22-5116	48-22-5130	48-22-5216	48-22-5233	48-22-5308	48-22-5530	48-22-5705
48-22-5117	48-22-5131	48-22-5217	48-22-5234	48-22-5309	48-22-5535	48-22-5708
48-22-5125	48-22-5135	48-22-5225	48-22-5305	48-22-5516	48-22-5616	48-22-5710
48-22-5126	48-22-5136	48-22-5226	48-22-5306	48-22-5525	48-22-5625	



NOTE:
When installing the Belt Clip Kit, DO NOT over-tighten screws #3 and #4. Install screws only by hand.



TAPE NO.	TAPE DESCRIPTION
48-22-5116	16FT Magnetic Tape Measure
48-22-5117	16FT Tape Measure
48-22-5125	25FT Magnetic Tape Measure
48-22-5126	25FT Tape Measure
48-22-5130	30FT Magnetic Tape Measure
48-22-5131	30FT Tape Measure
48-22-5135	35FT Magnetic Tape Measure
48-22-5136	35FT Tape Measure
48-22-5216	5M/16FT Magnetic Tape Measure
48-22-5217	5M/16FT Tape Measure
48-22-5225	8M/26FT Magnetic Tape Measure
48-22-5226	8M/26FT Tape Measure
48-22-5233	10M/33FT Magnetic Tape Measure
48-22-5234	10M/33FT Tape Measure
48-22-5305	5M Magnetic Tape Measure
48-22-5306	5M Tape Measure
48-22-5308	8M Magnetic Tape Measure
48-22-5309	8M Tape Measure
48-22-5516	16FT Tape Measure
48-22-5525	25FT Tape Measure
48-22-5530	30FT Tape Measure
48-22-5535	35FT Tape Measure
48-22-5616	5M/16FT Tape Measure
48-22-5625	8M/26FT Tape Measure
48-22-5705	5M Tape Measure
48-22-5708	8M Tape Measure
48-22-5710	10M Tape Measure

FIG.	PART NO.	DESCRIPTION OF PART	NO. REQ.
1	14-46-0067	Belt Clip Kit	(1)
2	-----	Belt Clip	(1)
3	-----	Screw, M2.5 x 7.5 Flat Hd. Cross-Drive	(2)
4	-----	Screw, M2.5 x 11.5 Flat Hd. Cross-Drive	(1)

WARNING!
When installing or removing the Belt Clip Kit, remove only the three kit screws. **DO NOT** attempt to remove the perimeter screws. Tape mechanism is under spring tension and could cause injury.

