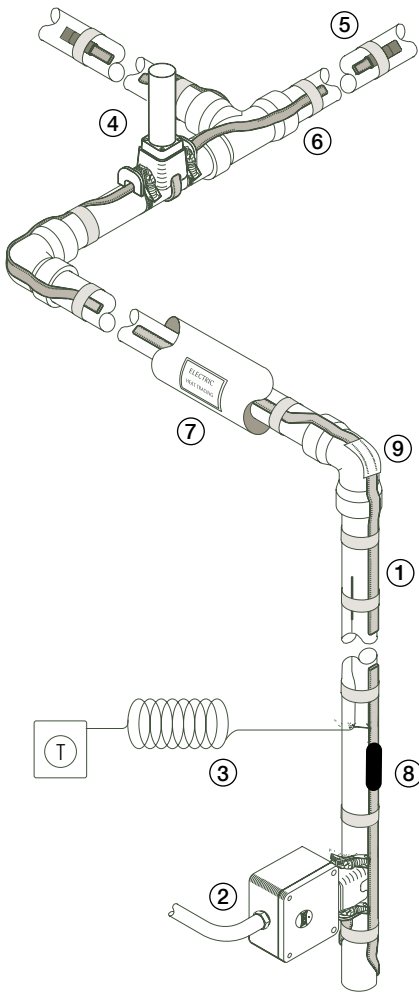


## TTS™ Self-Regulating Heating Cable for Pipe Freeze Protection

### Basic Components:

A pipe freeze protection system that uses TTS heating cable will typically include heating cable and components shown in the illustration and TTS ordering information table below.



Ref #	Part Number	Description
<b>Cable</b>		
1	TTS-5-1-OJ	5 W/FT @ 120V
1	TTS-8-1-OJ	8 W/FT @ 120V
1	TTS-10-1-OJ	10 W/FT @ 120V
1	TTS-5-2-OJ	5 W/FT @ 240V
1	TTS-8-2-OJ	8 W/FT @ 240V
1	TTS-10-2-OJ	10 W/FT @ 240V
<b>Termination Kits</b>		
2	18-SXG-KIT <sup>1</sup>	Power Connection Gland Kit w/o Junction Box
2	ECA-1-SR-SP	Metallic Power Connection Kit with Junction Box
4	ECT-2-SR	Metallic T-Splice Kit with Junction Box
2	PCA-1-SR	Non-metallic Power Connection Kit with Junction Box
4	PCS-1-SR	Non-metallic T-Splice Kit with Splice Cover <sup>1</sup>
8	HS-PBSK	Inline Heat Shrink Splice Kit (Under Insulation)
4	HS-TBSK	T-Splice Heat Shrink Kit (Under Insulation)
5	ET-6C	End Termination Kit (Ordinary & Div 2 Approved)
<b>Installation Accessories</b>		
6	BTape	Binding / Attachment Tape (1/2" X 60 yds)
7	CL	Caution Labels (25 Per Pack)
9	AL TAPE	3M™ Aluminum Tape (2" X 180') for non-metallic pipe
<b>Controls</b>		
3	R1-050-DP	Indoor Thermostat
3	R3C-0120-DP	Weatherproof Indoor / Outdoor Thermostat

<sup>1</sup> Junction box appropriate for the application to be supplied by the installer.