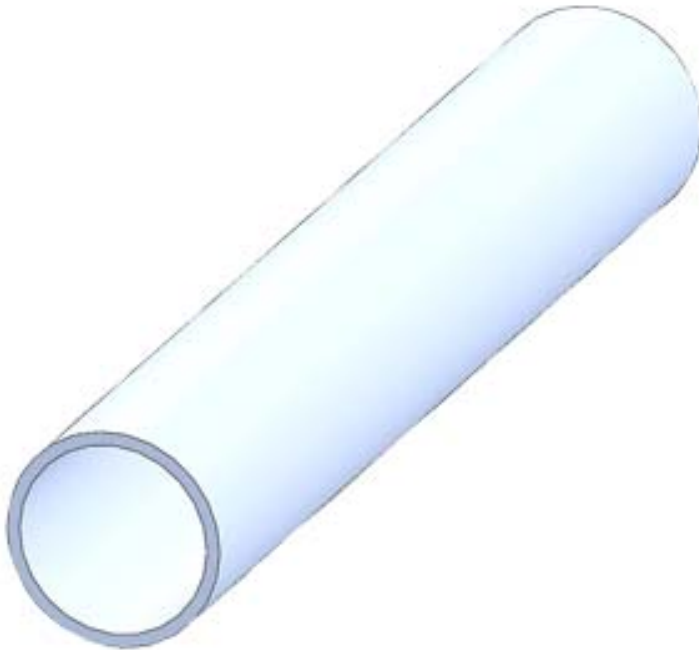


SIGNAL COLUMN, DIAMETER 70 MM ACCESSORIES
PIPE, 150 MM



General technical data:		
product brand name		SIRIUS
Product designation		Pipe
Equipment marking acc. to DIN EN 61346-2		U
Mechanical data:		
Length of the mounting pipe	mm	150
Outer diameter of the signal column element	mm	70
Ambient conditions:		
Height	mm	150
Width	mm	25
Certificates/ approvals:		

General Product Approval	EMC	Shipping Approval
--------------------------	-----	-------------------



Shipping Approval	other
-------------------	-------



[Bestätigungen](#)

Further information

Information- and Downloadcenter (Catalogs, Brochures,...)

<http://www.siemens.com/industrial-controls/catalogs>

Industry Mall (Online ordering system)

<http://www.siemens.com/industrymall>

Cax online generator

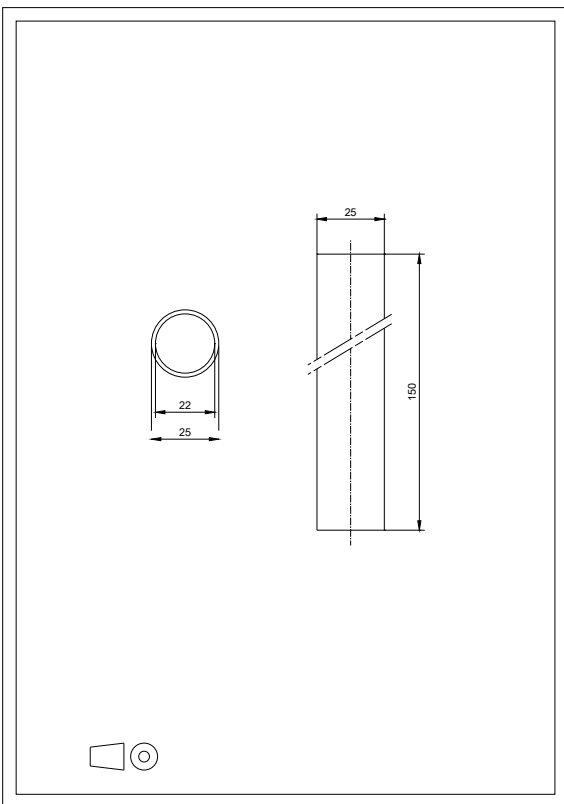
<http://support.automation.siemens.com/WW/CAXorder/default.aspx?lang=en&mlfb=8WD43080EE>

Service&Support (Manuals, Certificates, Characteristics, FAQs,...)

<https://support.industry.siemens.com/cs/ww/en/ps/8WD43080EE>

Image database (product images, 2D dimension drawings, 3D models, device circuit diagrams, EPLAN macros, ...)

http://www.automation.siemens.com/bilddb/cax_de.aspx?mlfb=8WD43080EE&lang=en



last modified:

23.11.2015