

SELECTOR SWITCH, CAN BE ILLUM., 22MM, ROUND, METAL, SHINY, WHITE, LONG SELECTOR SWITCH, 3 SWITCH POSITIONS I>O-II, MOM. CONTACT TYPE TO THE LEFT, LATCHING TO THE RIGHT, ACTUATING ANGLE 2X45 DEG., 10:30H/12H/13:30H



Figure similar

|                       |                             |
|-----------------------|-----------------------------|
| product brand name    | SIRIUS ACT                  |
| Product designation   | Control and signaling units |
| Design of the product | Selector switch             |

**Enclosure:**

|                          |   |
|--------------------------|---|
| Number of command points | 1 |
|--------------------------|---|

**Actuator:**

|   |  |
|---|--|
| Design of the operating mechanism           | Selector switch, long black handle   |
| Manner of function of the actuating element | momentary contact type/maintained, 2x45° (10:30h/12h/13:30h), retraction from left, right latching |
| Product extension optional Light source     | Yes  |
| Color of the actuating element              | White  |
| Material of the actuating element           | plastic  |
| Shape of the actuating element              | Handle   |
| Outer diameter of the actuating element     | 44.8 mm  |
| Number of switching positions               | 3  |
| Actuating angle                             |  |
| • clockwise                                 | 45°  |
| • anticlockwise                             | 45°  |

| Front ring:                  |                   |
|------------------------------|-------------------|
| Product component front ring | Yes               |
| Design of the front ring     | standard          |
| Material of the front ring   | Metal, high gloss |
| Color of the front ring      | silver            |

| General technical data:  |                                   |
|--|-----------------------------------|
| Protection class IP  | IP66, IP67, IP69(IP69K)           |
| Degree of protection NEMA rating   | NEMA 1, 2, 3, 3R, 4, 4X, 12       |
| Shock resistance   |                                   |
| <ul style="list-style-type: none"> <li>acc. to IEC 60068-2-27</li> </ul> | Sinusoidal half-wave 50 g / 11 ms |
| Vibration resistance   |                                   |
| <ul style="list-style-type: none"> <li>acc. to IEC 60068-2-6</li> </ul>  | 10 ... 500 Hz: 5g                 |
| Operating frequency maximum  | 1 800 1/h                         |
| Mechanical service life (switching cycles)                               |                                   |
| <ul style="list-style-type: none"> <li>typical</li> </ul>                | 300 000                           |
| Equipment marking  |                                   |
| <ul style="list-style-type: none"> <li>acc. to DIN EN 61346-2</li> </ul> | S                                 |
| <ul style="list-style-type: none"> <li>acc. to DIN EN 81346-2</li> </ul> | S                                 |

| Ambient conditions:  |   |
|--|---|
| Ambient temperature  |   |
| <ul style="list-style-type: none"> <li>during operation</li> </ul> | -25 ... +70 °C  |
| <ul style="list-style-type: none"> <li>during storage</li> </ul>   | -40 ... +80 °C  |
| Environmental category during operation acc. to IEC 60721          | 3M6, 3S2, 3B2, 3C3, 3K6 (with relative air humidity of 10 ... 95 %) |

| Installation/ mounting/ dimensions: |         |
|-------------------------------------|---------|
| Height                              | 44.8 mm |
| Width                               | 44.8 mm |
| Shape of the installation opening   | round   |
| Mounting diameter                   | 22.3 mm |
| Mounting height                     | 28.8 mm |
| Installation width                  | 44.8 mm |
| Installation depth                  | 25.4 mm |

### Certificates/approvals

|                          |                                |                           |                   |
|--------------------------|--------------------------------|---------------------------|-------------------|
| General Product Approval | For use in hazardous locations | Declaration of Conformity | Test Certificates |
|--------------------------|--------------------------------|---------------------------|-------------------|



[Herstellereklärung](#)



[Werksbescheinigung](#)

|                   |       |
|-------------------|-------|
| Test Certificates | other |
|-------------------|-------|

[spezielle Prüfbescheinigung](#)

[Bestätigungen](#)

### Further information

#### Information- and Downloadcenter (Catalogs, Brochures,...)

<http://www.siemens.com/industrial-controls/catalogs>

#### Industry Mall (Online ordering system)

<https://mall.industry.siemens.com/mall/en/en/Catalog/product?mlfb=3SU10522CP600AA0>

#### Cax online generator

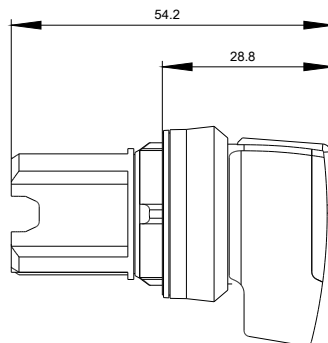
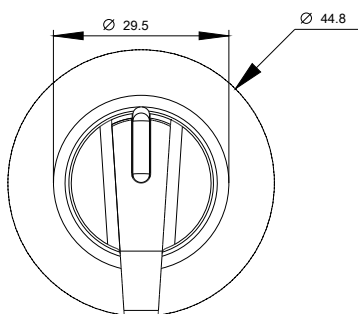
<http://support.automation.siemens.com/WW/CAXorder/default.aspx?lang=en&mlfb=3SU10522CP600AA0>

#### Service&Support (Manuals, Certificates, Characteristics, FAQs,...)

<https://support.industry.siemens.com/cs/ww/en/ps/3SU10522CP600AA0>

#### Image database (product images, 2D dimension drawings, 3D models, device circuit diagrams, EPLAN macros, ...)

[http://www.automation.siemens.com/bilddb/cax\\_de.aspx?mlfb=3SU10522CP600AA0&lang=en](http://www.automation.siemens.com/bilddb/cax_de.aspx?mlfb=3SU10522CP600AA0&lang=en)



last modified:

13.04.2016