

SAFETY POSITION SWITCH WITH SEPERATE ACTUATOR  
 MOLDED-PLASTIC ENCLOSURE LATERAL AND FRONTAL  
 SLOW-ACTION CONTACTS, 1NO+2NC, 3X(M20X1.5)  
 EXTRACTION FORCE 30N DELIVERY WITHOUT ACTUATOR



Figure similar

<b>Product designation</b>	safety position switch
<b>General technical data:</b>	
<b>Protection class IP</b>	IP65
<b>Equipment marking</b>	
<ul style="list-style-type: none"> <li>• acc. to DIN EN 61346-2</li> <li>• acc. to DIN EN 81346-2</li> </ul>	B B
<b>Active principle</b>	mechanical
<b>Explosion protection category for dust</b>	none
<b>Explosion protection category for gas</b>	none
<b>Enclosure:</b>	
<b>Design of the housing</b>	wide
<b>Material of the enclosure</b>	glass fiber reinforced thermoplast
<b>Coating of the enclosure</b>	Other types
<b>Design of the housing acc. to standard</b>	No
<b>Drive Head:</b>	
<b>Design of the operating mechanism</b>	without
<b>Design of the switching function</b>	positive opening
<b>Connections/ Terminals:</b>	

Type of electrical connection screw-type terminals

Communication/ Protocol:

Design of the interface without

Ambient conditions:

Ambient temperature  
• during operation -30 ... +85 °C

Installation/ mounting/ dimensions:

Mounting type screw fixing

Certificates/ approvals:

General Product Approval

Declaration of  
Conformity

Shipping  
Approval



CCC



CSA



UL



EG-Konf.



ABS

Shipping Approval

other



LRS



PRS



RINA

[sonstig](#)

[Bestätigungen](#)

Further information

Information- and Downloadcenter (Catalogs, Brochures,...)

<http://www.siemens.com/industrial-controls/catalogs>

Industry Mall (Online ordering system)

<http://www.siemens.com/industrymall>

Cax online generator

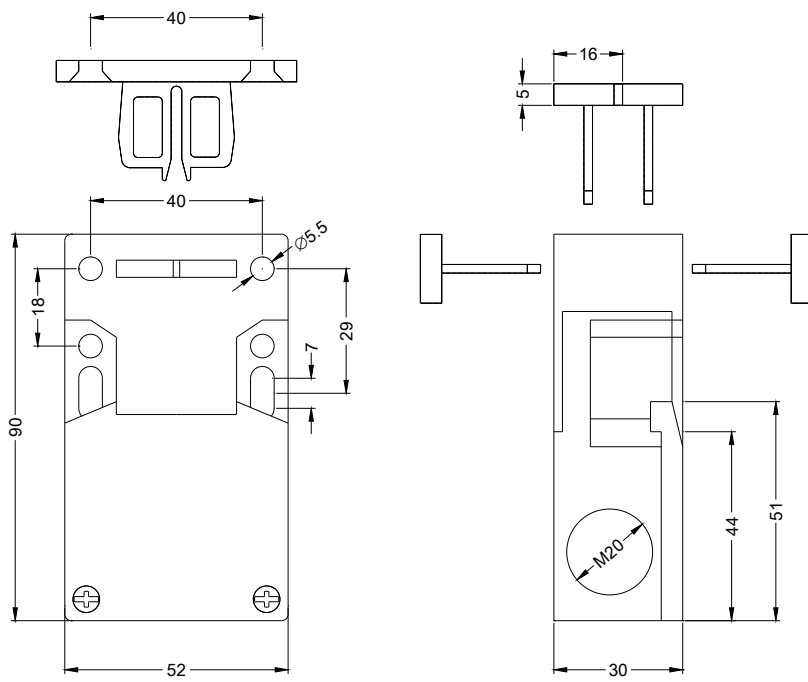
<http://support.automation.siemens.com/WW/CAXorder/default.aspx?lang=en&mlfb=3SE22430XX>

Service&Support (Manuals, Certificates, Characteristics, FAQs,...)

<https://support.industry.siemens.com/cs/ww/en/ps/3SE22430XX>

Image database (product images, 2D dimension drawings, 3D models, device circuit diagrams, EPLAN macros, ...)

[http://www.automation.siemens.com/bilddb/cax\\_de.aspx?mlfb=3SE22430XX&lang=en](http://www.automation.siemens.com/bilddb/cax_de.aspx?mlfb=3SE22430XX&lang=en)



last modified:

12.08.2015