

PP2,MTD,GRN MTL,1NO-1NC PP2,MTD,GRN MTL,1NO-1NC

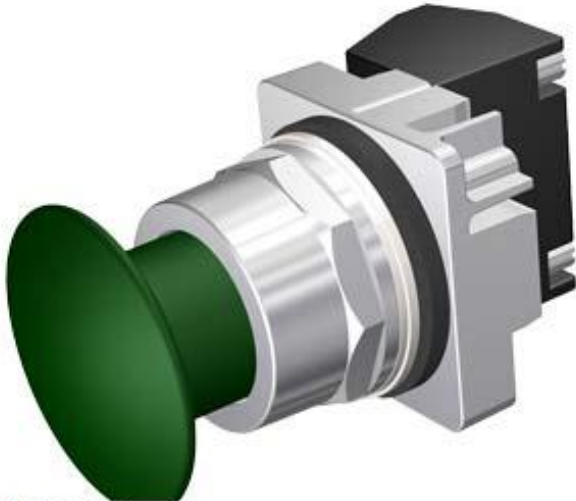


Figure similar

Enclosure:	
Number of command points	1
Delivery state	
<ul style="list-style-type: none"> <li>as a kit</li> </ul>	No
Actuator:	
Material of the actuating element	metal
Number of contact modules	1
Type of unlocking device	pull-to-unlatch mechanism
Number of switching positions	2
Front ring:	
Product component front ring	Yes
Design of the front ring	standard
Material of the front ring	metal
General technical data:	
Product function	
<ul style="list-style-type: none"> <li>positive opening</li> </ul>	Yes
Product component	
<ul style="list-style-type: none"> <li>Light source</li> </ul>	No

<b>Insulation voltage</b>	
• Rated value	600 V
<b>Surge voltage resistance Rated value</b>	4 kV
<b>Thermal current</b>	10 A
<b>Protection class IP</b>	IP66
• of the terminal	IP20

#### Auxiliary circuit:

<b>Number of NC contacts</b>	
• for auxiliary contacts	1
<b>Number of NO contacts</b>	
• for auxiliary contacts	1
<b>Operating current at AC-15</b>	
• at 110 V Rated value	60 A
• at 230 V Rated value	30 A
• at 400 V Rated value	15 A
• at 500 V Rated value	12 A

#### Connections/ Terminals:

<b>Type of electrical connection</b>	screw-type terminals
<b>Tightening torque [lbf·in]</b>	
• with screw-type terminals	8 lbf·in

#### Ambient conditions:

<b>Ambient temperature</b>	
• during operation	-35 ... +70 °C
• during storage	-40 ... +85 °C

#### Installation/ mounting/ dimensions:

<b>Shape of the installation opening</b>	round
--	-------

#### Certificates/ approvals:

#### Further information

##### Information- and Downloadcenter (Catalogs, Brochures,...)

<http://www.siemens.com/industrial-controls/catalogs>

##### Industry Mall (Online ordering system)

<http://www.siemens.com/industrymall>

##### Cax online generator

<http://support.automation.siemens.com/WW/CAXorder/default.aspx?lang=en&mfb=US2:52PP2A3A>

##### Service&Support (Manuals, Certificates, Characteristics, FAQs,...)

<https://support.industry.siemens.com/cs/ww/en/ps/US2:52PP2A3A>

##### Image database (product images, 2D dimension drawings, 3D models, device circuit diagrams, EPLAN macros, ...)

[http://www.automation.siemens.com/bilddb/cax\\_de.aspx?mfb=US2:52PP2A3A&lang=en](http://www.automation.siemens.com/bilddb/cax_de.aspx?mfb=US2:52PP2A3A&lang=en)

last modified: 17.07.2015