

BASIC UNIT 2 SIMOCODE PRO V; PROFIBUS DP INTERFACE 12 MBIT/S, RS485; 4I/3O FREELY PARAMETERIZABLE; US: AC/DC 110-240V; INPUT F. THERMISTOR MOTOR PROTECTION; RELAY OUTPUTS MONOSTABLE; EXPANDABLE BY EXPANSION MODULES



product brand name	SIRIUS
Product designation	SIMOCODE pro V Motor Management System
Design of the product	basic unit 2

General technical data:	
Active power loss total typical	7 W
Insulation voltage	
• with degree of pollution 3 Rated value	300 V
• Rated value	300 V
Shock resistance	
• acc. to IEC 60068-2-27	15g / 11 ms
Vibration resistance	1-6 Hz / 15 mm; 6-500 Hz / 2 g
Surge voltage resistance Rated value	4 000 V
Mechanical service life (switching cycles)	
• typical	10 000 000
Electrical endurance (switching cycles)	
• typical	100 000
Protection class IP	IP20
Equipment marking	
• acc. to DIN EN 61346-2	F

- acc. to DIN EN 81346-2

F

Electromagnetic compatibility:

EMC emitted interference	
<ul style="list-style-type: none"> • acc. to IEC 60947-1 	class A
EMI immunity acc. to IEC 60947-1	corresponds to degree of severity 3
Conducted interference due to burst acc. to IEC 61000-4-4	2 kV (power ports) / 1 kV (signal ports)
Conducted interference due to conductor-earth surge acc. to IEC 61000-4-5	2 kV
Conducted interference due to conductor-conductor surge acc. to IEC 61000-4-5	1 kV
Conducted interference due to high-frequency radiation acc. to IEC 61000-4-6	10 V
Field-bound parasitic coupling acc. to IEC 61000-4-3	10 V/m
Electrostatic discharge acc. to IEC 61000-4-2	6 kV contact discharge / 8 kV air discharge

Inputs/ Outputs:

Number of inputs	4
<ul style="list-style-type: none"> • for thermistor connection 	1
Number of digital inputs	
<ul style="list-style-type: none"> • with a common reference potential 	4
Digital input version	
<ul style="list-style-type: none"> • Type 1 acc. to IEC 61131 	Yes
Number of outputs	3
Number of outputs as contact-affected switching element	3
Number of semiconductor outputs	0

Motor protection functions:

Product function overload protection	Yes
Product function Evaluation of thermistor motor protection	Yes

Motor control functions:

Product function	
<ul style="list-style-type: none"> • parameterizable overload relay • circuit breaker control • direct start • reverse starting • star-delta circuit • star-delta reversing circuit • Dahlander circuit • Dahlander reversing circuit • pole-changing switch circuit • pole-changing switch reversing circuit 	<ul style="list-style-type: none"> Yes Yes Yes Yes Yes Yes Yes Yes Yes Yes

- Slide control
- valve control

Yes
Yes

Communication/ Protocol:

Product function Bus communication	Yes
Protocol is supported	
• PROFIBUS DP protocol	Yes
• PROFINET IO protocol	No
• PROFI-safe protocol	Yes
• LLDP	No
• Address Resolution Protocol (ARP)	No
• SNMP	No
• HTTPS	No
• OPC UA Server	No
• NTP	No
• Media Redundancy Protocol (MRP)	No
Product function	
• web server	No
• shared device	No
• at the Ethernet interface Autonegotiation	No
• at the Ethernet interface Autosensing	No
• MRRT redundancy procedure	No
• is supported PROFINET system redundancy	No
• supports PROFIenergy measured values	No
• supports PROFIenergy shutdown	No
Type of electrical connection of the communication interface	D-sub / terminal

Installation/ mounting/ dimensions:

mounting position	any
Mounting type	screw and snap-on mounting
Height	111 mm
Width	45 mm
Depth	124 mm

Connections/ Terminals:

Type of electrical connection	
• for auxiliary and control current circuit	screw-type terminals
Product function	
• removable terminal for auxiliary and control circuit	Yes
Type of connectable conductor cross-section	
• solid	1x (0.5 ... 4.0 mm ²), 2x (0.5 ... 2.5 mm ²)
• finely stranded with core end processing	1x (0.5 ... 2.5 mm ²), 2x (0.5 ... 1.5 mm ²)

<ul style="list-style-type: none"> • for AWG conductors <ul style="list-style-type: none"> — solid — stranded 	<p>1x (20 ... 12), 2x (20 ... 14)</p> <p>1x (20 ... 14), 2x (20 ... 16)</p>
Tightening torque	
<ul style="list-style-type: none"> • with screw-type terminals 	0.8 ... 1.2 N·m
Tightening torque [lbf·in]	
<ul style="list-style-type: none"> • with screw-type terminals 	7 ... 10.3 lbf·in

Ambient conditions:	
Installation altitude at height above sea level maximum	4 000 m
Ambient temperature	
<ul style="list-style-type: none"> • during operation • during storage • during transport • at installation altitude ≤ 3000m during operation maximum • at installation altitude ≤ 4000 m during operation maximum 	<p>-25 ... +60 °C</p> <p>-40 ... +80 °C</p> <p>-40 ... +80 °C</p> <p>50 °C</p> <p>40 °C</p>
Relative humidity during operation	5 ... 95 %
Contact rating of the auxiliary contacts acc. to UL	B300 / R300

Short-circuit:	
Design of short-circuit protection per output	Fuse links: gG 6 A, quick-response 10 A (IEC 60947-5-1), miniature circuit-breaker C char.: 1.6 A (IEC 60947-5-1) or 6 A (I_K < 500 A)

Safety related data:	
Protection against electrical shock	finger-safe

Galvanic isolation:	
Design of the electrical isolation	Protective separation in accordance with IEC 60947-1 for all circuits

Main circuit:	
Operating voltage	
<ul style="list-style-type: none"> • at AC <ul style="list-style-type: none"> — at 50 Hz Rated value — at 60 Hz Rated value • at DC Rated value <ul style="list-style-type: none"> — maximum — minimum 	<p>110 ... 240 V</p> <p>110 ... 240 V</p> <p>240 V</p> <p>110 V</p>

Control circuit/ Control:	
Type of voltage of the control supply voltage	AC/DC
Control supply voltage at AC	
<ul style="list-style-type: none"> • at 50 Hz Rated value 	110 ... 240 V

• at 60 Hz Rated value	110 ... 240 V
Control supply voltage at DC	
• Rated value	110 ... 240 V
Control supply voltage 1	
• at DC Rated value	240 V
• Rated value	50 Hz
Control supply voltage frequency 2 Rated value	60 Hz
Response value of thermoresistor	3 400 ... 3 800 Ω

Supply voltage:	
Type of voltage of the supply voltage	AC/DC

Certificates/ approvals:

General Product Approval	EMC	For use in hazardous locations
---------------------------------	------------	---------------------------------------



CCC



CSA



UL



C-TICK



ATEX

For use in hazardous locations	Declaration of Conformity	Test Certificates	Shipping Approval
---------------------------------------	----------------------------------	--------------------------	--------------------------

[Explosionsschutzertifikat](#)



EG-Konf.

[spezielle Prüfbescheinigungen](#)

[Werksbescheinigungen](#)

[Typprüfbescheinigung/Werkszeugnis](#)



ABS

Shipping Approval	other
--------------------------	--------------



DNV



GL



RMRS

[Bestätigungen](#)



Profibus

[PROFINET-Zertifizierung](#)

other

[PROFISafe-Zertifizierung](#)

Further information

Information- and Downloadcenter (Catalogs, Brochures,...)
<http://www.siemens.com/industrial-controls/catalogs>

Industry Mall (Online ordering system)

<http://www.siemens.com/industrymall>

Cax online generator

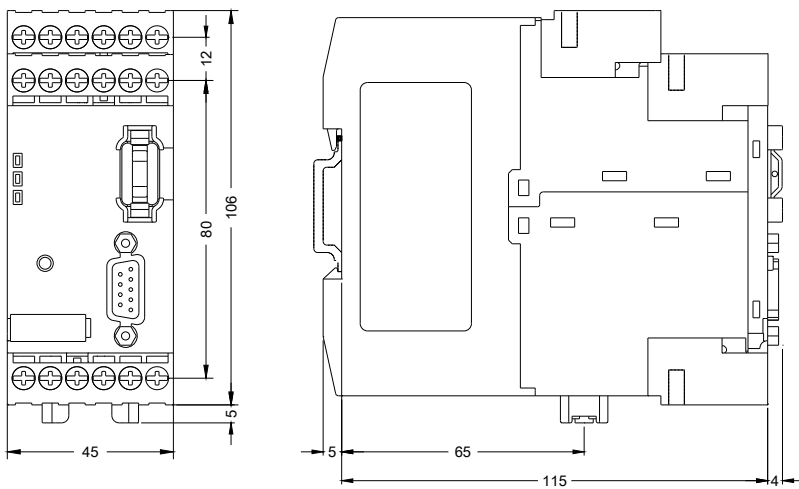
<http://support.automation.siemens.com/WW/CAXorder/default.aspx?lang=en&mfb=3UF70101AU000>

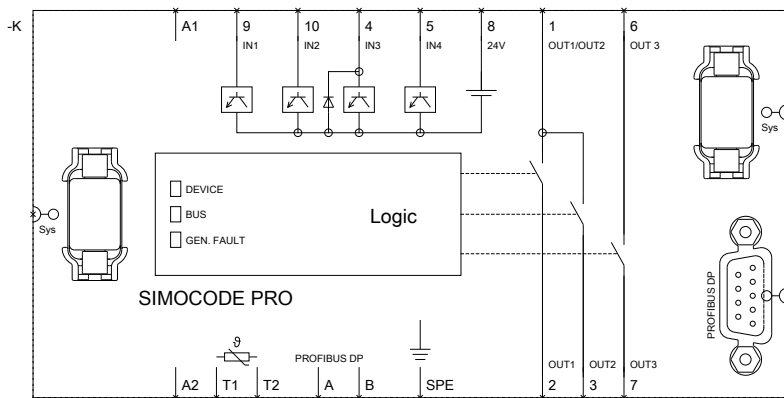
Service&Support (Manuals, Certificates, Characteristics, FAQs,...)

<https://support.industry.siemens.com/cs/ww/en/ps/3UF70101AU000>

Image database (product images, 2D dimension drawings, 3D models, device circuit diagrams, EPLAN macros, ...)

http://www.automation.siemens.com/bilddb/cax_de.aspx?mfb=3UF70101AU000&lang=en





last modified:

20.07.2015