

SELECTOR SWITCH, CAN BE ILLUM., 22MM, ROUND, METAL, SHINY, GREEN, SHORT SELECTOR SWITCH, 2 SWITCH POSITIONS O-I, LATCHING, ACTUATING ANGLE 90 DEG., 10:30H/13:30H



Figure similar

product brand name	SIRIUS ACT
Product designation	Control and signaling units
Design of the product	Selector switch

Actuator:	
Design of the operating mechanism	Selector switch, short black handle
Manner of function of the actuating element	maintained, 90° (10:30h/13:30h)
Product expansion optional Light source	Yes
Color of the actuating element	Green
Material of the actuating element	plastic
Shape of the actuating element	Handle
Outer diameter of the actuating element	32.3 mm
Number of switching positions	2
Actuating angle	
• clockwise	90°

Front ring:	
Product component front ring	Yes
Design of the front ring	standard
Material of the front ring	Metal, high gloss
Color of the front ring	silver

#### General technical data:

<b>Vibration resistance</b> <ul style="list-style-type: none"><li>• acc. to IEC 60068-2-6</li></ul>	10 ... 500 Hz: 5g
<b>Operating frequency maximum</b>	1 800 1/h
<b>Mechanical service life (switching cycles)</b> <ul style="list-style-type: none"><li>• typical</li></ul>	300 000
<b>Protection class IP</b>	IP66, IP67, IP69(IP69K)
<b>Equipment marking</b> <ul style="list-style-type: none"><li>• acc. to DIN EN 61346-2</li><li>• acc. to DIN EN 81346-2</li></ul>	S S

#### Ambient conditions:

<b>Ambient temperature</b> <ul style="list-style-type: none"><li>• during operation</li><li>• during storage</li></ul>	-25 ... +70 °C -40 ... +80 °C
--	----------------------------------

#### Installation/ mounting/ dimensions:

<b>Height</b>	32.3 mm
<b>Width</b>	32.3 mm
<b>Shape of the installation opening</b>	round
<b>Mounting diameter</b>	22 mm
<b>Mounting height</b>	28.8 mm
<b>Installation width</b>	32.3 mm
<b>Installation depth</b>	25.4 mm

#### Certificates/ approvals:

<b>For use in hazardous locations</b>	<b>other</b>
<a href="#">Herstellereklärung</a>	<a href="#">Bestätigungen</a>

#### Further information

##### Information- and Downloadcenter (Catalogs, Brochures,...)

<http://www.siemens.com/industrial-controls/catalogs>

##### Industry Mall (Online ordering system)

<http://www.siemens.com/industrymall>

##### Cax online generator

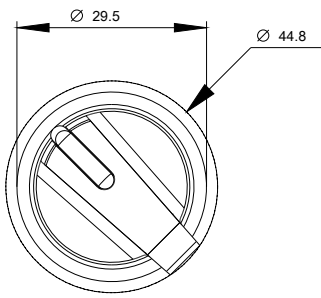
<http://support.automation.siemens.com/WW/CAXorder/default.aspx?lang=en&mlfb=3SU10522BF400AA0>

##### Service&Support (Manuals, Certificates, Characteristics, FAQs,...)

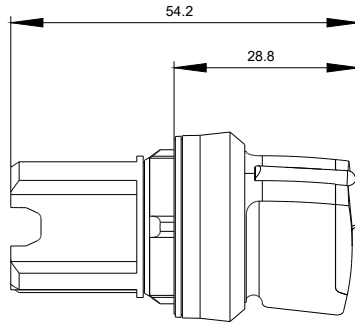
<https://support.industry.siemens.com/cs/ww/en/ps/3SU10522BF400AA0>

##### Image database (product images, 2D dimension drawings, 3D models, device circuit diagrams, EPLAN macros, ...)

[http://www.automation.siemens.com/bilddb/cax\\_de.aspx?mlfb=3SU10522BF400AA0&lang=en](http://www.automation.siemens.com/bilddb/cax_de.aspx?mlfb=3SU10522BF400AA0&lang=en)



last modified:



17.07.2015