

65MM TERMINAL BLOCK PEN FOR ET200S HIGH
FEATURE STARTER, WITH CONN. FOR LOADS



Figure similar

General technical data:

| | | |
|---------------------|----|--|
| Product designation | | Terminal block M65-PEN-S |
| Product description | | In combination with TM-DS65-S31 / TM-RS130-S31 |
| Mounting height | mm | 43.5 |
| Installation width | mm | 65 |
| Installation depth | mm | 42 |

Installation/ mounting/ dimensions:

| | | |
|---|-----|-----------------------------|
| Size of the screwdriver tip | | Standard screwdriver Size 2 |
| Shape of the screwdriver tip | | Pozidriv 2 |
| Tightening torque with screw-type terminals | N·m | 2 ... 2.5 |

Further information

Information- and Downloadcenter (Catalogs, Brochures,...)

<http://www.siemens.com/industrial-controls/catalogs>

Industry Mall (Online ordering system)

<http://www.siemens.com/industrymall>

Cax online generator

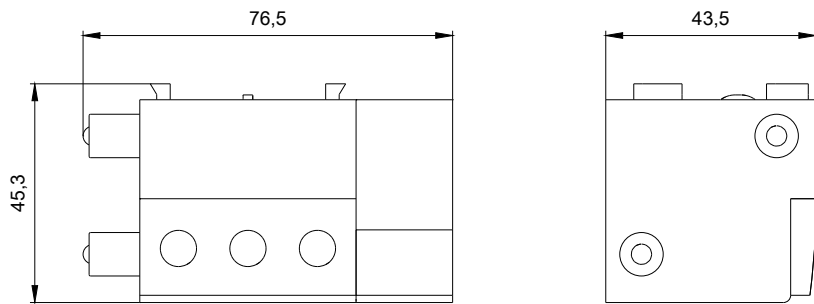
<http://support.automation.siemens.com/WW/CAXorder/default.aspx?lang=en&mlfb=3RK19032AC10>

Service&Support (Manuals, Certificates, Characteristics, FAQs,...)

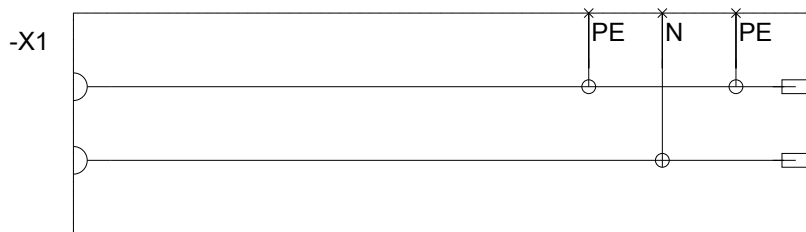
<https://support.industry.siemens.com/cs/ww/en/ps/3RK19032AC10>

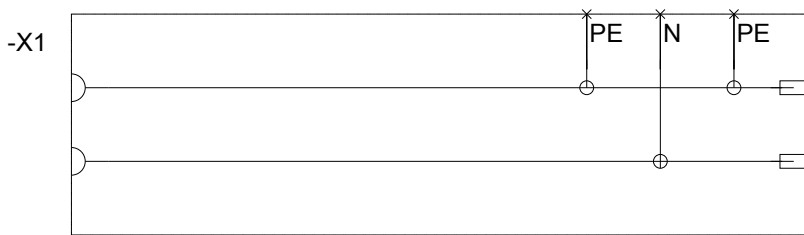
Image database (product images, 2D dimension drawings, 3D models, device circuit diagrams, EPLAN macros, ...)

http://www.automation.siemens.com/bilddb/cax_de.aspx?mlfb=3RK19032AC10&lang=en



3RK1903-2AC10_ALL





last modified:

17.07.2015