



D5691-BML
in D0301-BML

5691-2T
in 80301-ST

DECORA[®] PLUS Switches

Features & Benefits

- Now available in *Elements* by Decora[®] finishes that blend seamlessly with high-end surfaces
- Architecturally styled, smooth-action concave rocker
- Heavy-duty, impact-resistant thermoplastic construction to assure long service life in commercial applications
- Full-rated current capacity with tungsten, fluorescent or resistive loads. Motor capacity is 80% of switch rating
- Wraparound heavy-gauge strap with locking tabs for added strength
- Back and side wiring terminals accept both solid and stranded wire to ease installation
- Two ground connection options: a green grounding screw and a self-grounding clip†

Canadian Switches

- 347V switches fit only those wallplates designated for 347V AC devices
- Green grounding screw

† Self-grounding when installed in a properly grounded metal wallbox.

Testing & Code Compliance

- UL Listed (File #E-7458)
- CSA Certified (File #LR-3413)
- NOM Certified (#057)
- Compliance with the latest Federal Specification WS-896
- Backed by a Limited Ten-Year Warranty

Canadian Switches

- UL Listed (File #E-7458)
- CSA Certified (File #LR-3413)

Material Characteristics

Environmental: Flammability UL-94, V2 Rating
Operating Temperature: -40°C to 120°C

*Color

Back and Side Wired

Colors available as listed. Basic Cat. No. denotes Mahogany Brown. For other color selections add suffix to catalog numbers as follows: Ivory (-I), White (-W), Almond (-A), Light Almond (-T), Gray (-G or -GY), Red (-R), Ebony Black (-E).

**Finish

Elements by Decora Decorative Finishes

For color selections add suffix to catalog numbers as follows: Black marble (-BML), White Marble (-WML), Oak (-OAK), Walnut (-WAL).

***Canadian Color

For color selection, add suffix to Cat. No. as follows: Ivory (-I), White (-W), Almond (-A), Gray (-G), Ebony Black (-E).

Imprinted Decora Switches

Custom orders available in Ivory (-I), White (-W).

Horsepower

15 AMP	20 AMP
1/2 @ 120V	1 @ 120V
2 @ 240V	2 @ 240V

Dimensional drawings on page T2.

For more information regarding coordinating wallplates, colors, materials, single and multi-gang, refer to Wallplates, section D.

AC DESIGNER ROCKER SWITCHES Back and Side Wired 120/277V AC

Description	Cat. No. 15 AMP	Cat. No. 20 AMP	Color* (Basic Cat. No. Denotes Mahogany)
Single-Pole	5691-2	5621-2†	I, W, A, T, GY, E
Double-Pole	—	5622-2	I, W, A, T, GY, E (N/A in Mahogany)
3-Way	5693-2	5623-2†	I, W, A, T, GY, E
4-Way	—	5624-2	I, W, A, T, GY

† Available in Red (-R)

ELEMENTS BY DECORA ROCKER SWITCHES Back and Side Wired 15 AMP 120/277V AC

Description	Cat. No.	Finish**
Single-Pole	D5691	BML, WML, OAK, WAL
3-Way	D5693	BML, WML, OAK, WAL

CANADIAN ROCKER SWITCHES

Back and Side Wired

15 AMP 347V AC—Motor capacity is 80% of load rating

Description	Cat. No.	Color*** (See Canadian Color)
Single-Pole	5691-C	I, W, A, G, E
3-Way	5693-C	W
4-Way	5694-C	W

20 AMP 347V AC—Motor capacity is 80% of load rating

Description	Cat. No.	Color*** (See Canadian Color)
Single-Pole	5621-C	I, W
3-Way	5623-C	W
4-Way	5624-C	W



DECORA[®] PLUS *Illuminated and Pilot Light Switches, Momentary and Maintained Switches*

Features & Benefits

Illuminated and Pilot Light Switches

- Illuminated switch rocker illuminated when load is OFF
- 20A, 120V and 277V single-pole and 3-way versions, 60 Hz AC only
- Pilot Light rocker visible when load is ON, even in bright light
- Back and side wiring terminals accept both solid and stranded wire to ease installation
- Two ground connection options: a green grounding screw and a self-grounding clip†
- Illuminated Switch does not require a neutral; Pilot Light Switch requires a neutral

Momentary and Maintained Switches

- Full-rated current capacity with tungsten, fluorescent or resistive loads. Motor capacity is 80% of switch rating
- Wraparound heavy-gauge strap with locking tabs for added strength
- Back and side wiring terminals accept both solid and stranded wire to ease installation
- Two ground connection options: a green grounding screw and a self-grounding clip†

† Self-grounding when installed in a properly grounded metal wallbox.

20 AMP ILLUMINATED Back and Side Wired (Lens illuminated when load OFF)

Description	Cat. No.	Color*
Single-Pole, 120V 60Hz AC Only	5631-2	I, W, A, T, E
3-Way, 120V 60Hz AC Only	5633-2	I, W, A, T
Single-Pole, 277V 60Hz AC Only	5649-2	I, W
3-Way, 277V 60Hz AC Only	5659-2	W

20 AMP PILOT LIGHT Back and Side Wired (Lens illuminated when load ON)

Description	Cat. No.	Color*
Single-Pole, 120V 60Hz AC Only	5628-2	I, W, A, T
3-Way, 120V 60Hz AC Only	5638-2	I, W, A
Single-Pole, 277V 60Hz AC Only	5629-2	W
3-Way, 277V 60Hz AC Only	5639-2	W

MOMENTARY CONTACT Back and Side Wired 15 AMP 120/277V AC

Description	Cat. No.	Color* (Basic Cat. No. Denotes Mahogany)
Single-Pole, Double Throw, Center OFF	5657-2	I, W, A, T, GY, E

MAINTAINED CONTACT Back and Side Wired 15 AMP 120/277V AC

Description	Cat. No.	Color* (Basic Cat. No. Denotes Mahogany)
Single-Pole, Double Throw, Center OFF	5685-2	I, W, A, T, GY, E
Double-Pole, Double Throw, Center OFF	5686-2	I, W, A, T (N/A in Mahogany)

Testing & Code Compliance

- UL Listed (File #E-7458)
- CSA Certified (File #LR-3413)
- NOM Certified (#057)
- Compliance with the latest Federal Specification WS-896
- Backed by a Limited Ten-Year Warranty

Material Characteristics

Environmental: Flammability UL-94, V2 Rating
Operating Temperature: -40°C to 120°C

*Color

Colors available as listed. For color selections add suffix to catalog numbers as follows: Ivory (-I), White (-W), Almond (-A), Light Almond (-T), Gray (-GY), Ebony Black (-E).

Horsepower

15 AMP	20 AMP
1/2 @ 120V	1 @ 120V
2 @ 240V	2 @ 240V

Dimensional drawings on page T2.

To learn more about Leviton's outstanding offering of devices, visit our Website at www.leviton.com





5601-2T
in 80301-ST

DECORA® Designer Rocker Switches

Features & Benefits

- Switch frame shields against dust and fits in wallplate to prevent rocker binding
- Side Wire and Quickwire (No. 12 or No. 14 copper or copper clad wire) push-in terminal wiring options
- Sturdy construction for long service life
- Full-rated current capacity with tungsten, fluorescent or resistive loads. Motor capacity is 80% of switch rating
- Conform to all NEMA standard specifications
- Complements every decor

15 AMP Quickwire Push-In and Side Wired 120/277V AC

Description	Cat. No.	Color*
Single-Pole	5601	Mahogany
	5601-I	Ivory
	5601-W	White
	5601-2	Mahogany
	5601-2I	Ivory
	5601-2W	White
	5601-2A	Almond
	5601-2T	Light Almond
	5601-2E	Ebony
	5601-2GY	Gray
	5601-S2I†	Ivory
	5601-S2W†	White
	5601-S2A†	Almond
Double-Pole	5602-2I	Ivory
	5602-2W	White
	5602-2A	Almond
	5602-2T	Light Almond
	5602-2E	Ebony
Three-Way	5603	Mahogany
	5603-I	Ivory
	5603-W	White
	5603-2	Mahogany
	5603-2I	Ivory
	5603-2W	White
	5603-2A	Almond
	5603-2T	Light Almond
	5603-2E	Ebony
	5603-2GY	Gray
	5603-S2I†	Ivory
	5603-S2W†	White
5603-S2A†	Almond	
Four-Way	5604-2	Mahogany
	5604-2I	Ivory
	5604-2W	White
	5604-2A	Almond
	5604-2T	Light Almond
	5604-2E	Ebony
	5604-2GY	Gray

Testing & Code Compliance

- UL Listed (File #E-7458)
- CSA Certified (File #LR-3413)
- NOM Certified (#057)
- Backed by a Limited Two-Year Warranty

Material Characteristics

Environmental: Flammability UL-94, V2 Rating
Operating Temperature: -40°C to 120°C

*Color

Rocker/frame color available as listed.

Horsepower

15 AMP

1/2 @ 120V

2 @ 240V

Dimensional drawings on page T2.

For more information regarding coordinating wallplates, colors, materials, single and multi-gang, refer to Wallplates, section D.

Note: To order Decora rocker switches with grounding screw add suffix -2 (i.e. 5601-2I)

†Self-grounding when installed in a properly grounded metal wallbox.



5611-2A
in 80401-A

DECORA® Illuminated Designer Rocker Switches

Features & Benefits

- Illuminated switch rocker illuminated when load is OFF
- Pilot Light switch rocker visible when load is ON, even in bright light
- Switch border shields against dust and fits in wallplate to prevent rocker binding
- Side-wiring terminals accept both solid and stranded wire to ease installation
- Illuminated Switch does not require a neutral; Pilot Light Switch requires a neutral
- Full-rated current capacity with tungsten, fluorescent or resistive loads. Motor capacity is 80% of switch rating
- Conform to all NEMA standard specifications

Imprinted Decora Switches

- Stock Decora switches available with choice of three imprints on rocker:
FAN, DISPOSAL, OIL BURNER

15 AMP

Quickwire and Side Wired 120/277V AC (Lens illuminated when load OFF – does not require a neutral wire)

Description	Cat. No.	Color*
Single-Pole	5611-I	Ivory
	5611-W	White
	5611-2I	Ivory
	5611-2W	White
	5611-2A	Almond
	5611-2T	Light Almond
3-Way	5613-I	Ivory
	5613-W	White
	5613-2I	Ivory
	5613-2W	White
	5613-2A	Almond
	5613-2T	Light Almond
4-Way	5614-2I	Ivory
	5614-2W	White
	5614-2A	Almond
	5614-2T	Light Almond

Note: To order Decora rocker switches with grounding screw add suffix -2 (i.e. 5611-2I)

Testing & Code Compliance

- UL Listed (File #E-7458)
- CSA Certified (File #LR-3413)
- NOM Certified (#057)
- Backed by a Limited Two-Year Warranty

Material Characteristics

Environmental: Flammability UL-94, V2 Rating
Operating Temperature: -40°C to 120°C

*Color

All switches except imprinted:
For color choice, add suffix to catalog numbers as follows: Ivory (-I), White (-W), Almond (-A), Light Almond (-T), Ebony Black (-E).

Horsepower

15 AMP
1/2 @ 120V
2 @ 240V

Dimensional drawings on page T2.

15 AMP

Imprinted Switches 120/277V AC

Description	Cat. No.	Stock Messages Available
Single-Pole, Ivory, Stock or Custom Imprinted	5601-Z2I	FAN, DISPOSAL, OIL BURNER
Single-Pole, White, Stock or Custom Imprinted	5601-Z2W	FAN, DISPOSAL, OIL BURNER

15 AMP

Molded Rocker Switches 120/277V AC

Description	Cat. No.	Color*
Single-Pole, ON/OFF Molded in Rocker	5601-X2I	Ivory
	5601-X2W	White
	5601-X2A	Almond
	5601-X2E	Black

15 AMP

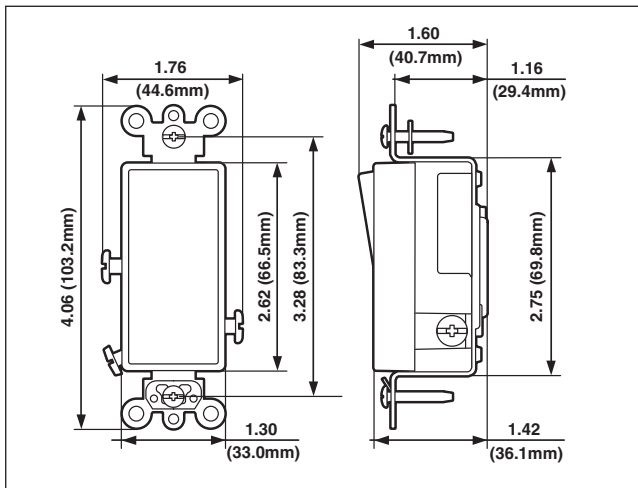
Quickwire and Side Wired Pilot Light (Lens illuminated when load ON – requires a neutral wire)

Description	Cat. No.	Color*
Single-Pole, 120V 60Hz AC 1/2 HP	5618-2	I, W, A, T

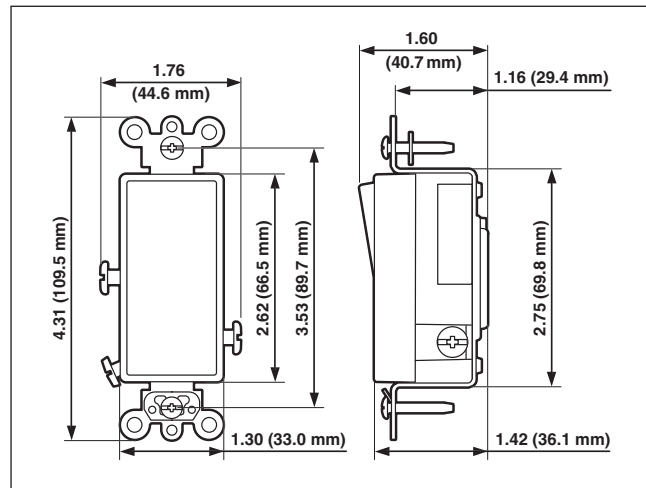
Dimensional Drawings

Dimensional Drawings for Switches, Section A

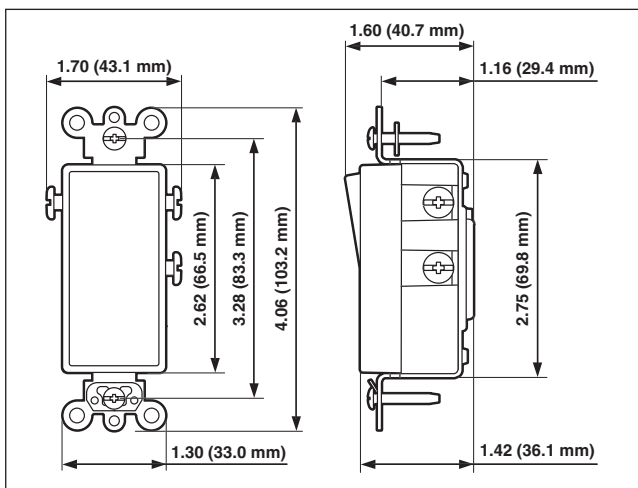
All 120/277V AC Switches on Page A2 and All 20A Switches on Page A3



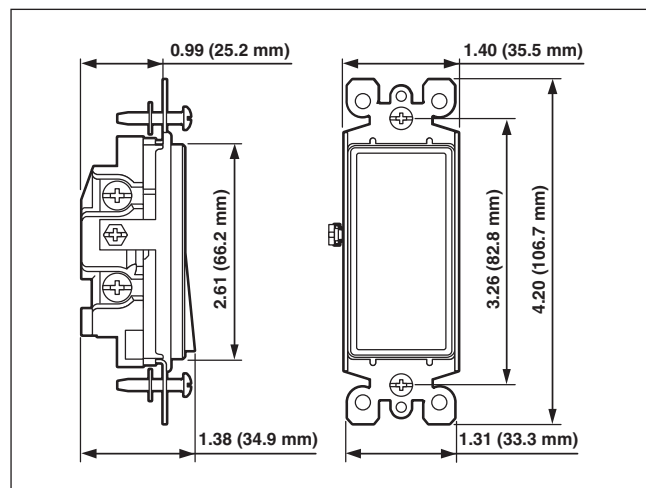
All Canadian Rocker Switches on Page A2



Cat. Nos. 5657-2 and 5685-2 on Page A3

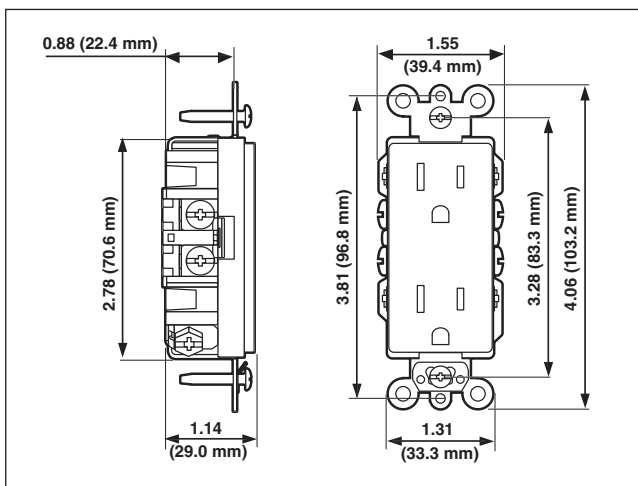


All Switches on Pages A4 and A5



Dimensional Drawings for Receptacles/GFCIs, Section B

All Receptacles on Page B2



All Single Receptacles on Page B3

