



Position Oriented with Leads

4 KV Pulse Rating Available

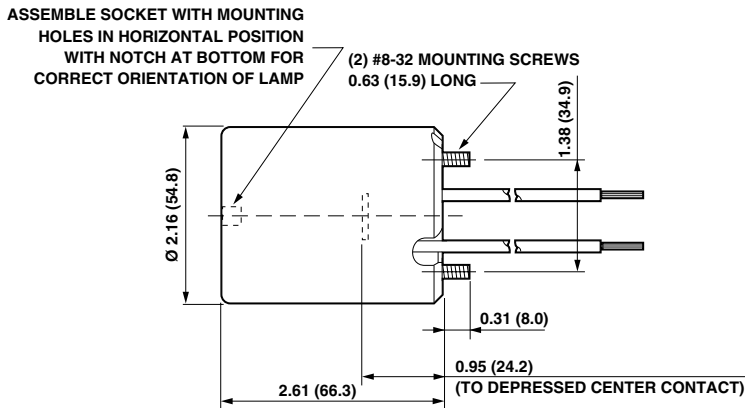
Porcelain body yellow glazed with wireways. Body notched on rim for correct mounting orientation. Designed for use with super Metalarc horizontal-operated HID lamps. Copper-alloy nickel-plated screw shell with unique locking stop for fixed positioning of lamp. Copper-alloy nickel-plated center contact with coil spring. Lugged leads are No. 14 AWG 200°C 600V glass braid SEW-2, 12" long, stripped 1/2". Choice of lock nut or screw mounting.

Standard pack: bulk

Cat. No. 8750 Series

- 1500W-600V • UL Listed E-1 3402 • CSA Certified LR-1863 • NOM Certified 057

Cat. No.	Description
8750-000	Mogul Lampholder with Position Notch and Wireways. (2) #8-32 screws.
8750-001	Mogul Lampholder with Position Notch and Wireways. (2) #10-32 lock nuts.



Cat. No. 8750