

# METAL SHELL LAMPHOLDERS

Standard and Electrolier  
Medium Base E26

## Full Range Dimmer Socket Removable Turn Knob, Standard Size

Makes any lamp an infinitely variable light source. Uses single-filament lamp. 0%-100% rotary dimming control with positive ON-OFF.

Cat. No. 6151

- 150W-120V AC only
- UL Recognized Component  E-3810

Cat. No.	Description	Cap	Set Screw
6151	Dimmer socket	1/8 IPS bushing	Yes



## Hi-Lo Dimmer, Removable Turn Knob, Electrolier Size

For operating a single-filament lamp in a sequence of HI-LO-OFF. Removable knob is molded plastic.

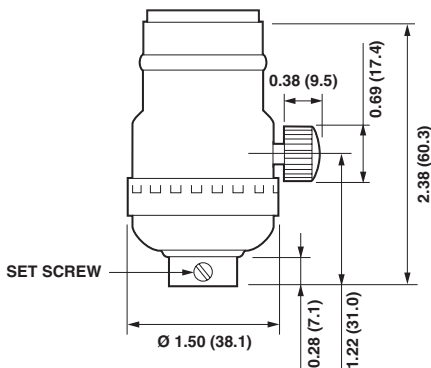
Mandrel threaded #6-32  
Interior No. 6155-M, page G9

Cat. No. 6155: Less set screw unless otherwise specified.

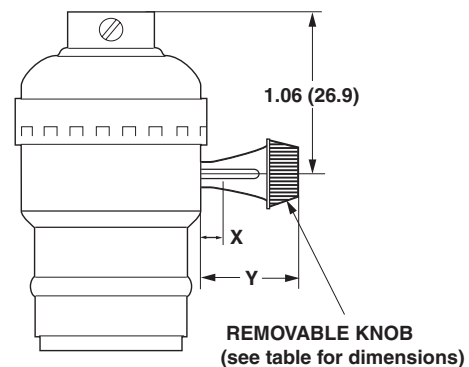
Per UL 153, 3-way lampholders shall be installed so that bulb will be positioned base down.

- 150W-120V AC only
- UL Recognized Component  E-3810
- CSA Certified LR-1863

Cat. No.	Description	Cap	X	Y
6155	Hi-Lo Turn Knob Dimmer	1/8 IPS bushing	3/16 (4.76)	3/4 (19.05)



Cat. No. 6151



Cat. No. 6155