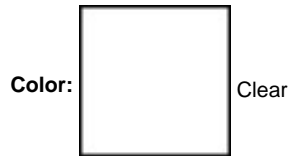


5996-CL



UPC Code: 07847794647

Country of Origin: Mexico - *Eligible for
ARRA funded projects > \$7,443,000

Brand Features

Leviton's full line of Raintight and Weather Resistant Covers are ruggedly constructed to seal out moisture, dust, debris and insects, while providing easy access to receptacles. Industrial Grade covers are designed for rugged conditions. Their sturdy, gasketed covers mount vertically or horizontally. Leviton makes two innovative Raintight While-in-Use Covers: telescoping and metal. Designed for decks, patios, porches and similar locations, they're more than a match for the vagaries of weather. The telescoping cover sports a low-profile when in the contracted position, while the metal cover features a self-closing lid made of powder-coated cast zinc. Leviton Weather Resistant Covers let homeowners use power tools, trimmers, sprinkler systems and pumps with confidence and safety. They're also ideal for outdoor security, landscape, accent and holiday lighting.

Item Description

1-Gang Duplex Device Receptacle Wallplate, Raintight While-In-Use, Thermoplastic, Device Mount, Horizontal Lid - Clear

Technical Information

Product Features

Type: Raintight While-In-Use

Gang: 1

Material: Thermoplastic

Color: Clear

Mount: Device

Orientation: Horizontal

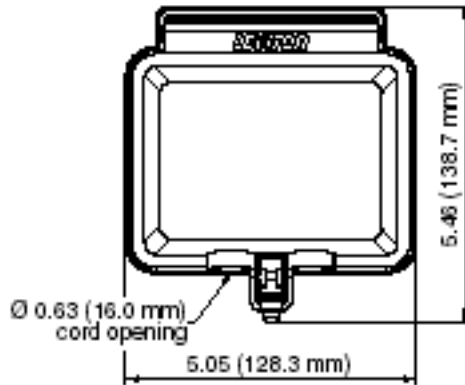
Standards and Certifications: UL/CSA

Warranty: 2-Year Limited

Feature: Self Closing Lid



Dimensional Diagram



Depth = 2.88" (73.2mm)

SPECIFICATION SUBMITTAL

JOB NAME: <input style="width: 95%; height: 20px;" type="text"/>	CATALOG NUMBERS: <input style="width: 95%; height: 20px;" type="text"/>
JOB NUMBER: <input style="width: 95%; height: 20px;" type="text"/>	<input style="width: 95%; height: 20px;" type="text"/>

Leviton Manufacturing Co., Inc.

201 North Service Road, Melville, NY 11747
 Telephone: 1-800-323-8920 · FAX: 1-800-832-9538 · Tech Line (8:30AM-7:30PM E.S.T. Monday-Friday): 1-800-824-3005

Leviton Manufacturing of Canada, Ltd.

165 Hymus Boulevard, Pointe Claire, Quebec H9R 1E9 · Telephone: 1-800-469-7890 ·
 FAX: 1-800-824-3005 · www.leviton.com/canada

Leviton S. de R.L. de C.V.

Lago Tana 43, Mexico DF, Mexico CP 11290 · Tel.: (+52)55-5082-1040 · FAX: (+52)5386-1797 · www.leviton.com.mx

Visit our Website at: www.leviton.com

© 2012-2015 Leviton Manufacturing Co., Inc. All rights reserved. Subject to change without notice.

Leviton has a global presence.

If you would like to know where your local Leviton office is located please go to: www.leviton.com/international/contacts/

**Buy American Compliant Logo -- The American Recovery And Reinvestment Act of 2009 ("ARRA") provides federal grants and loans for projects throughout the country. Section 1605 of the Act, named the "Buy American" provision, requires that certain materials and manufactured products used in projects funded by the Act be manufactured in the United States. The appearance of the Recovery Act Logo in relation to a Leviton product is only intended to reflect that such product may be used in an ARRA funded project. It does not mean that such product or Leviton is sponsored or endorsed by, or that Leviton receives funds from, the federal government or the Recovery Accountability and Transparency Board. Nothing in Leviton's use of the logo is intended to suggest anything regarding the requirements for funding under ARRA.*

