

5603-2T



UPC Code: 07847727499

Country of Origin: United States - **Eligible for ARRA funded projects*



**May include one or more globally sourced components.*



Decora®

Brand Features

Featuring a look and feel that qualify them as modern classics, Decora Designer Rocker Switches add so much at a modest cost that no home should be without them. Their sleek simplicity and smooth, quiet operation stem from quality materials fitted to tight tolerances and finished with great care, ensuring years of trouble-free service. Easy to wire, they work with tungsten, fluorescent and resistive loads. Legendary Decora® Designer Rocker Switches come in a variety of colors to harmonize with any décor. Their sturdy construction and dependable performance are everything you'd expect from the pre-eminent switch maker.

Item Description

15 Amp, 120/277 Volt, Decora Rocker 3-Way AC Quiet Switch, Residential Grade, Grounding, Quickwire Push-In & Side Wired - Light Almond

Technical Information

Product Features

Grounding: Grounding

Amperage: 15 Amp

Voltage: 120/277 VAC

HP Rating: 1/2HP-120V 2HP-240V-277V

Max. Amperage: 12 Amp

Termination: Quickwire Push-In & Side

Actuator Material: Thermoplastic

Body Material: Thermoplastic

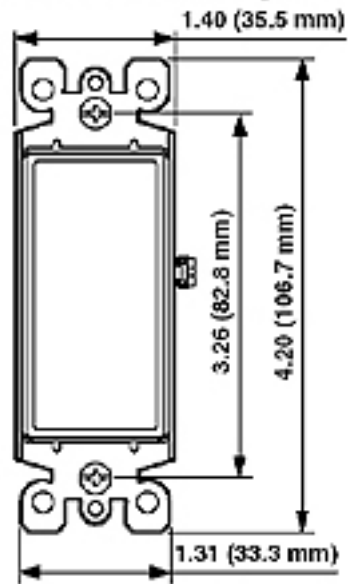
Strap Material: Steel

Color: Light Almond

Standards and Certifications: UL/CSA

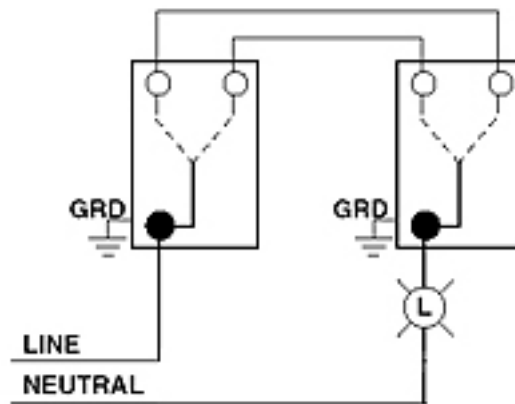
Warranty: 2 Year Limited

Dimensional Diagram



Wiring Diagram

3-Way to 3-Way



SPECIFICATION SUBMITTAL

JOB NAME: <input type="text"/>	CATALOG NUMBERS: <input type="text"/>	
JOB NUMBER: <input type="text"/>	<input type="text"/>	<input type="text"/>

Leviton Manufacturing Co., Inc.

201 North Service Road, Melville, NY 11747

Telephone: 1-800-323-8920 · FAX: 1-800-832-9538 · Tech Line (8:30AM-7:30PM E.S.T. Monday-Friday): 1-800-824-3005

Leviton Manufacturing of Canada, Ltd.

165 Hymus Boulevard, Pointe Claire, Quebec H9R 1E9 · Telephone: 1-800-469-7890 ·

FAX: 1-800-824-3005 · www.leviton.com/canada

Leviton S. de R.L. de C.V.

Lago Tana 43, Mexico DF, Mexico CP 11290 · Tel.: (+52)55-5082-1040 · FAX: (+52)5386-1797 · www.leviton.com.mx

Visit our Website at: www.leviton.com

© 2012-2014 Leviton Manufacturing Co., Inc. All rights reserved. Subject to change without notice.



Leviton has a global presence.

If you would like to know where your local Leviton office is located please go to: www.leviton.com/international/contacts/

**Buy American Compliant Logo -- The American Recovery And Reinvestment Act of 2009 ("ARRA") provides federal grants and loans for projects throughout the country. Section 1605 of the Act, named the "Buy American" provision, requires that certain materials and manufactured products used in projects funded by the Act be manufactured in the United States. The appearance of the Recovery Act Logo in relation to a Leviton product is only intended to reflect that such product may be used in an ARRA funded project. It does not mean that such product or Leviton is sponsored or endorsed by, or that Leviton receives funds from, the federal government or the Recovery Accountability and Transparency Board. Nothing in Leviton's use of the logo is intended to suggest anything regarding the requirements for funding under ARRA.*