

BX60-V

Pin and Sleeve Devices - IEC 60309

Item Description

Back Box for Pin & Sleeve Inlets And Receptacles, Hub Sold Separately (See Leviton Cat Number HUB-xxx), 60 Amp, IP67, Watertight - Gray

Technical Information

Product Features

Accessory Type: Back Box

Device Type: Inlets And Receptacles

Amperage: 60 Amp

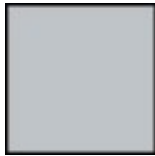
IP Rating: IP67, Watertight

Material: Valox 357

Color: Gray



Color:

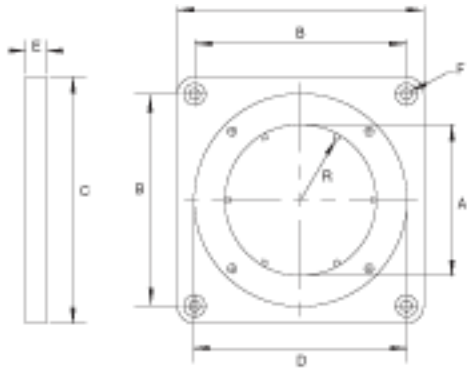


Gray

UPC Code: 07847701884

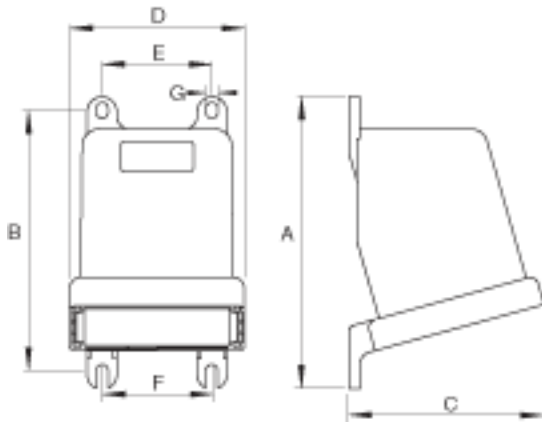
Country of Origin: Sweden - **Eligible for
ARRA funded projects > \$7,443,000*





Adapter Plates

UNIT	A	B	C	D	E	F	R
60 Amp							
inch	2.78	3.86	4.50	3.88	.40	.20	1.28
mm	70	98	114	98.5	10	5	32.5
100 Amp							
inch	3.23	4.88	5.50	4.60	.40	.22	1.50
mm	82	124	140	117	10	5.5	38



Back Boxes

UNIT	A	B	C	D	E	F	G
20 Amp & 30 Amp - 3/4" Hub							
inch	6.69	5.91	4.53	3.90	2.35	2.35	0.25
mm	170.0	150.0	115.0	99.0	60.0	60.0	6.5
60 Amp - 1 1/4" Hub							
inch	7.68	6.92	5.20	4.65	2.99	2.99	0.31
mm	195.0	176.0	132.0	118.0	76.0	76.0	8.0
100 Amp - 1 1/2" Hub							
inch	8.23	7.39	6.30	5.71	3.99	3.33	0.33
mm	209.0	188.0	160.0	145.0	101.0	84.5	8.5

SPECIFICATION SUBMITTAL

JOB NAME: <input type="text"/>	CATALOG NUMBERS: <input type="text"/>	
JOB NUMBER: <input type="text"/>	<input type="text"/>	<input type="text"/>

Leviton Manufacturing Co., Inc.

201 North Service Road, Melville, NY 11747

Telephone: 1-800-323-8920 · FAX: 1-800-832-9538 · Tech Line (8:30AM-7:30PM E.S.T. Monday-Friday): 1-800-824-3005

Leviton Manufacturing of Canada, Ltd.

165 Hymus Boulevard, Pointe Claire, Quebec H9R 1E9 · Telephone: 1-800-469-7890 ·

FAX: 1-800-824-3005 · www.leviton.com/canada

Leviton S. de R.L. de C.V.

Lago Tana 43, Mexico DF, Mexico CP 11290 · Tel.: (+52)55-5082-1040 · FAX: (+52)5386-1797 · www.leviton.com.mx

Visit our Website at: www.leviton.com

© 2012-2014 Leviton Manufacturing Co., Inc. All rights reserved. Subject to change without notice.

Leviton has a global presence.

If you would like to know where your local Leviton office is located please go to: www.leviton.com/international/contacts/

**Buy American Compliant Logo -- The American Recovery And Reinvestment Act of 2009 ("ARRA") provides federal grants and loans for projects throughout the country. Section 1605 of the Act, named the "Buy American" provision, requires that certain materials and manufactured products used in projects funded by the Act be manufactured in the United States. The appearance of the Recovery Act Logo in relation to a Leviton product is only intended to reflect that such product may be used in an ARRA funded project. It does not mean that such product or Leviton is sponsored or endorsed by, or that Leviton receives funds from, the federal government or the Recovery Accountability and Transparency Board. Nothing in Leviton's use of the logo is intended to suggest anything regarding the requirements for funding under ARRA.*

