

## Hospital Grade

### A Complete Line of Plugs and Connectors that Stands Up to the Harshest Environments

The Leviton line of straight blade plugs and connectors includes: black & white® Industrial Grade devices that resist impact, corrosion and chemicals; Hospital Grade devices that meet the highest standards for dependable, long-term performance.

## black & white®

Leviton's 15 and 20 Amp Hospital Grade nylon plugs and connectors offer superior performance and long-lasting reliability features; from ergonomic design details to rugged construction that resists impact, punishing application environments, chemicals and corrosives.

Superior design, heavy-duty, impact-resistant, all nylon construction for long-lasting performance and reliability in the demanding healthcare environment.

Individual deep-funnelled chamfered wire wells. Clear housing allows inspection of wire termination and provides molded-in wire strip gage

Wire clamps bundle stranded wire without cutting wire strand

Captive, color-coded brass #8 terminal screws



8215-CT

### Features and Benefits









- UL 498 Listed; meets latest Federal Specifications WC-598; CSA Specification C22.2 No. 42 Certified
- One-piece, rivetless triple-wipe brass connector contacts offer enlarged contact surface area
- Husk is constructed of ST801 Super Tough Nylon for superior impact resistance in rugged environments
- Beveled back edges prevent body from catching on corners and rough surfaces
- Ergonomic, fluted body design with radial gripping edge is ideal for gripping and pulling

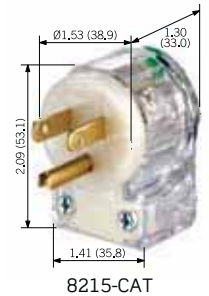
### Plugs and Connectors

#### Specifications and Features

- Unmatched quality and performance confirmed by rigorous UL 498 testing
- Clearly identified by green dot
- Rugged construction resists impact, sunlight, chemicals and rough use
- All contacts are solid one-piece brass for better conductivity
- Triple-wipe, heavy-duty power contacts set in deep pockets to resist damage
- Captive, color-coded brass #8 terminal screws
- Unique cord clamp accepts wide range of cord sizes (.245"-.700"), providing secure grip without damaging cord jacket: SVT 18-3 to SO 14-3 with strain relief insert, up to ST 10-3 when strain relief insert is removed
- Power Indication™ devices equipped with green neon bulb rated at 30,000 hours (24/7) for 3.5 years

#### 2-Pole, 3-Wire Grounding

Description	Cat. No. Plug	Cat. No. Connector	Cat. No. Plug	Cat. No. Connector
<b>NEMA Config.</b>	 5-15P	 5-15R		
<b>Rating</b>	<b>15A-125V</b>	<b>15A-125V</b>	—	—
Black & White Body	8215-C	8219-C	—	—
Transparent Body	8215-CT	8219-CT	—	—
<b>Power Indication</b>				
Transparent Body	8215-PLC	8219-PLC	—	—
Angle, Transparent Body	8215-CAT	—	—	—
<b>NEMA Config. &amp; CSA - Canada Config.</b>	 5-20P	 5-20R	 CSA	 6-20P
			 6-20R	 CSA
<b>Rating</b>	<b>20A-125V</b>	<b>20A-125V</b>	<b>20A-250V</b>	<b>20A-250V</b>
Black & White Body	8315-C	8319-C	8415-CAT	—
Transparent Body	8315-CT	8319-CT	—	—
Power Indication	8315-PLC	8319-PLC	—	—
Transparent Body				
Angle, Transparent Body	8315-CAT	—	—	—



#### TESTING AND CODE COMPLIANCE

Meets all NEMA WD 6, UL 498 and ANSI C-73 requirements

- UL Listed (File #E-13393)
- CSA Certified (File #LR-406)
- NOM Certified (#057)

#### ELECTRICAL

- Dielectric Voltage: Withstands 2000V for UL 498
- Current Interr.: Full rated current
- Temp. Rise: Max 30°C after 250 cycles at 200% of rated current

#### MATERIAL CHARACTERISTICS

Environmental: Flammability, Rated V2  
Operating temperature: -40°C to 60°C

#### MECHANICAL

- Terminal I.D.: Brass-Hot, White-Neutral, Green-Grounding
- Terminal Accomm.: #18-#10 AWG
- Product I.D.: Ratings are permanently stamped on device
- Cord Grip Range: .245" - .700"

### DIMENSIONS

