

Industrial Grade

TESTING AND CODE COMPLIANCE

- Meets all NEMA WD 1 & 6, and ANSI requirements
- Meets Federal Specification WS-896
- UL Listed (File #E-7458)
- CSA Certified (File #152105)
- NOM Certified (#057)

MATERIAL CHARACTERISTICS

- Environmental: Flammability, Rated V2
- Operating Temperature: -40°C to 65°C

HORSEPOWER

- 20A, 1 @ 120V, 2 @ 240V, 16 AMP Max

ELECTRICAL

- Dielectric Voltage: Withstands 1500V for 1 min.

- Overload UL 20 Test: 100 cycles of overload at 4.8 times rated current
- Temp. Rise: 30° C max at full rated current
- Endurance: UL 20/Fed Spec 50,000 cycles min., tungsten filament lamp load (Fed. Spec.) WS896E, SP, DP, 3-Way, 4-way, Pilot Light, Illum., Key Lock

MECHANICAL

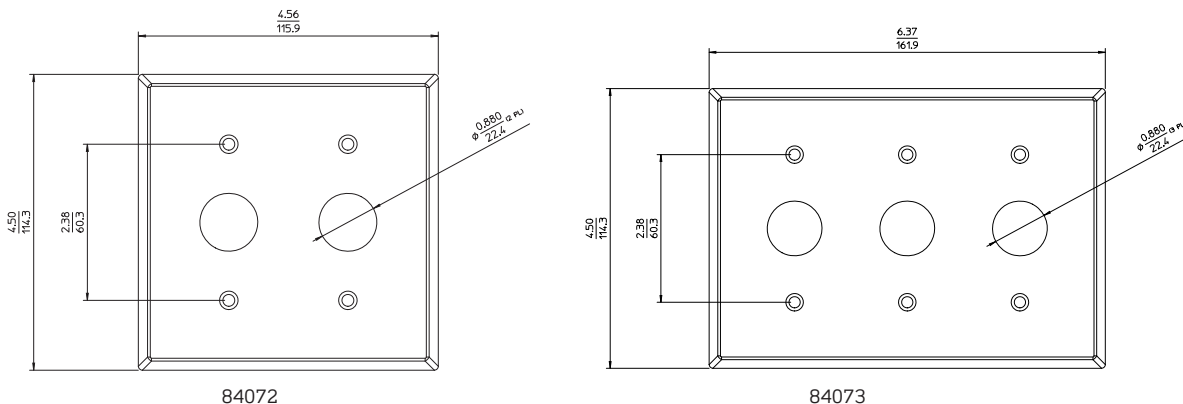
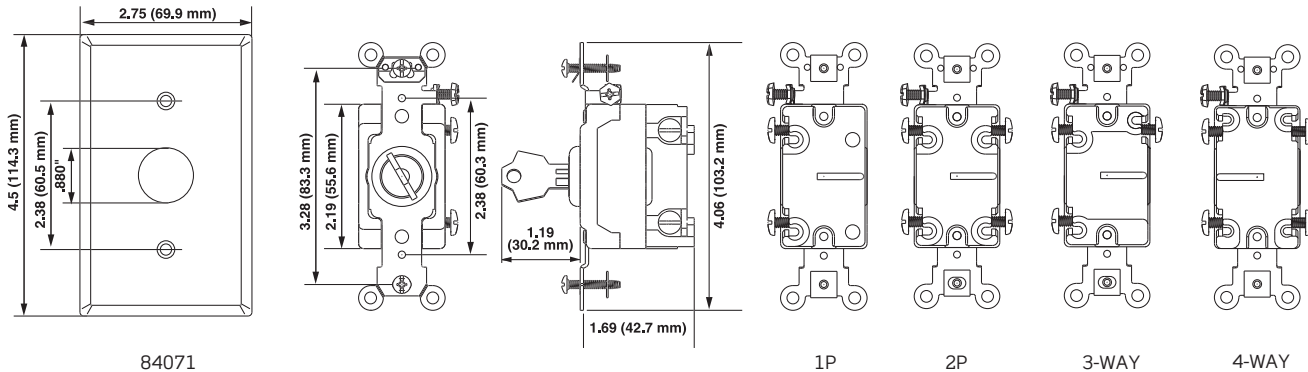
- Terminal I.D.: Brass-Hot, Black-Hot, White-Neutral, Green-Grounding
- Terminal Accom.: #14-#10 AWG back wired; #14-#12 AWG side wired
- Product I.D.: Ratings are permanently stamped on device strap
- Torque Range: 12-14 inch pound



Related Products

To review the complete Leviton Wallplates collection [see the Leviton Wallplates Section beginning on page 707.](#)

DIMENSIONS



Decora Plus™ AC Quiet Commercial Specification Grade Rocker Switches

Decora Plus devices combine designer styling with all the benefits of rugged Commercial Grade construction. The robust product offering includes: single pole, double pole, 3 and 4-way switches, momentary and maintained contact switches, as well as pilot light and illuminated switches.

Specifications and Features

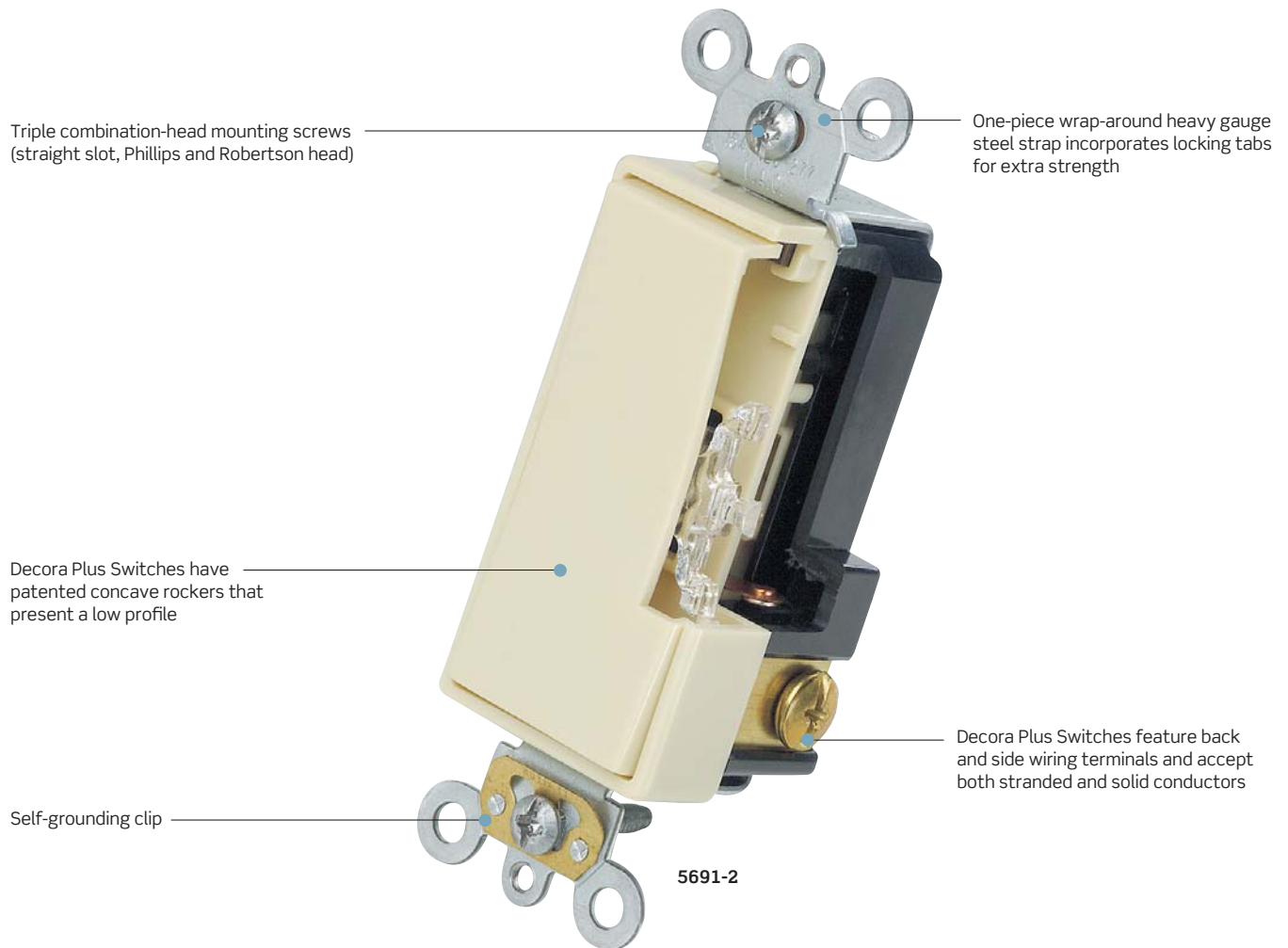
- Engineered for fine tolerances and top performance
- Decora Plus Switches feature impact resistant thermoplastic construction for long service life
- All Decora devices meet or exceed applicable UL, CSA and NOM testing standards

AC Quiet Rocker Switches

- Full rated current capacity with tungsten, fluorescent or resistive loads. Motor capacity is 80% of switch rating
- Back and side-wiring terminals accept both solid and stranded wire to ease installation
- New architecturally-styled smooth-action concave rocker
- Heavy-duty impact-resistant thermoplastic construction for long service life in commercial applications
- Two ground connection options: a green grounding screw and a self-grounding clip
- Backed by a Limited Ten-Year Warranty

Canadian Switches

- Decora Plus Canadian switches fit only those wallplates designated
- Canadian Decora wallplates available in a number of colors and fit “Commander Type” boxes



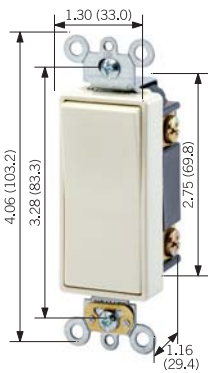
Commercial Grade



5691-2GY

BACK AND SIDE WIRED U S

Description	Color	Cat No.	
		15A	20A
Rating		120/277VAC	
Single Pole	White	5691-2W	5621-2W
	Ivory	5691-2I	5621-2I
	Light Almond	5691-2T	5621-2T
	Grey	5691-2GY	5621-2GY
	Black	5691-2E	5621-2E
	Brown	5691-2	5621-2
	Red	—	5621-2R
Double Pole	White		5622-2W
	Ivory		5622-2I
	Light Almond		5622-2T
	Grey		5622-2GY
	Black		5622-2E
3-Way	White	5693-2W	5623-2W
	Ivory	5693-2I	5623-2I
	Light Almond	5693-2T	5623-2T
	Grey	5693-2GY	5623-2GY
	Black	5693-2E	5623-2E
	Brown	5693-2	5623-2
	Red		5623-2R
4-Way	White		5624-2W
	Ivory		5624-2I
	Light Almond		5624-2T
	Grey		5624-2GY
	Brown		5624-2



5693-2A

BACK AND SIDE WIRED - CANADIAN S

Description	Color	Cat No.	
		15A	20A
Rating		347VAC	
Single Pole	White	5691-CW	5621-CW
	Ivory	5691-CI	5621-CI
	Almond	5691-CA	—
	Grey	5691-CG	5621-CG
	Black	5691-CE	—
3-Way	White	5693-CW	5623-C2W
	Ivory	5693-CI	—
	Almond	5693-CA	—
	Grey	—	5623-C2G
4-Way	Black	5693-CE	
	White	5694-CW	5624-CW